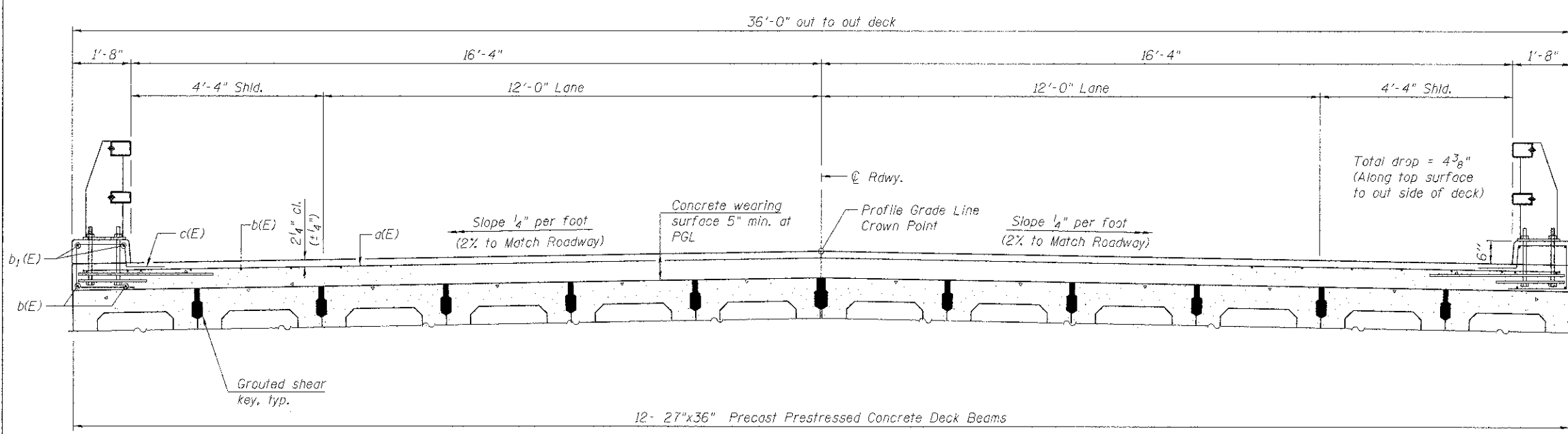


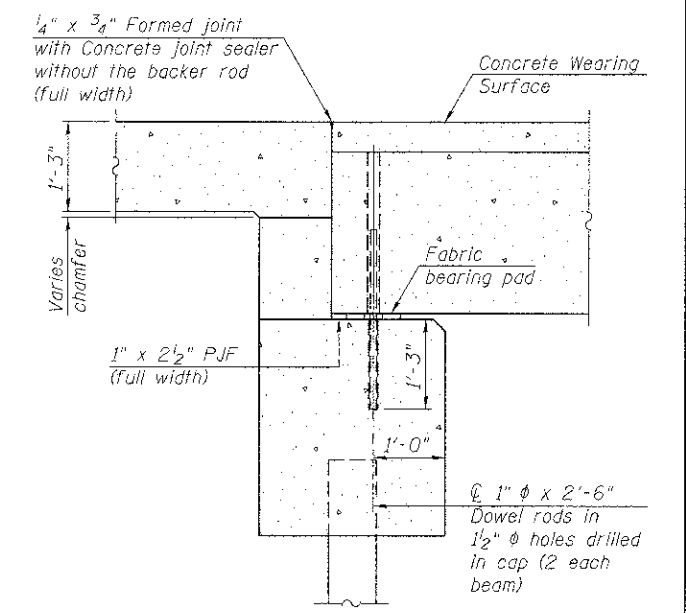
PLAN



CROSS SECTION
(Looking East)

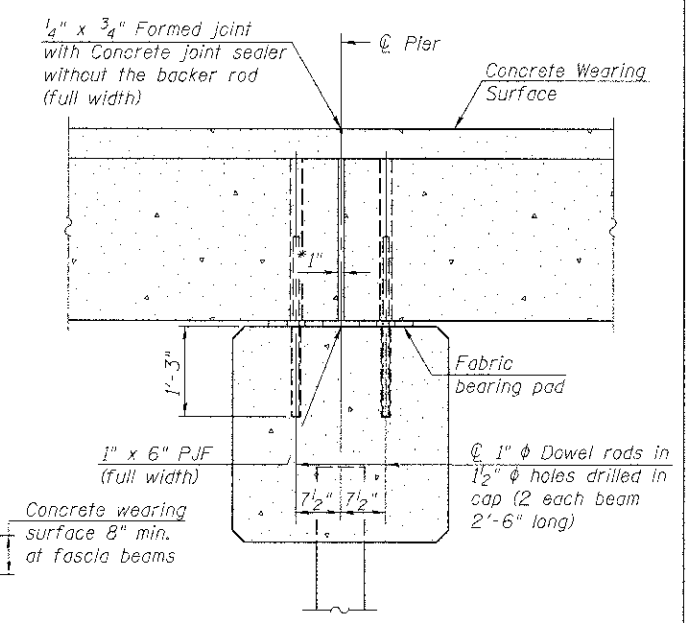
Notes:
See sheet 5 of 27 for Superstructure Details and Bill of Material.
Bars indicated thus 20 x 2-#4 etc. indicates 20 lines of bars with 2 lengths per line.

MINIMUM BAR LAP
#4 bar = 2'-7"
#5 bar = 3'-3"



SECTION A-A

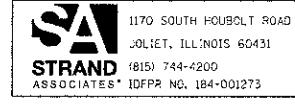
Notes:
All concrete wearing surfaces shall be placed prior to casting a backwall and/or approach slab.
See sheet 11 of 27 for fabric bearing pad details.



SECTION B-B

*1" Jt. shall be filled with non-shrink grout. 1" dimension may vary to accommodate tolerance in beam lengths.

FILE NAME = s:\p1\6800-6899\6842\07\micros\cadd\sheet\struc\056-31sp-03666-004-SUPER.dgn



USER NAME = brianf
DESIGNED = RRD
CHECKED = AJS
DRAWN = BJF
CHECKED = RRD
PLOT SCALE =
PLOT DATE = 8/23/2012

DESIGNED = RRD
CHECKED = AJS
DRAWN = BJF
CHECKED = RRD

REVISED =
REVISED =
REVISED =
REVISED =

MCHENRY COUNTY DIVISION OF TRANSPORTATION
HILL ROAD BRIDGE OVER
NORTH BRANCH NIPPERSINK CREEK

SUPERSTRUCTURE
STRUCTURE NO. 056-3192
SHEET NO. 4 OF 27 SHEETS

TR	SECTION	COUNTY	TOTAL SHEETS	SHEET NO.
21	08-00366-00-BR	MCHENRY	77	34
			CONTRACT NO. 63666	
ILLINOIS FED. AID PROJECT				