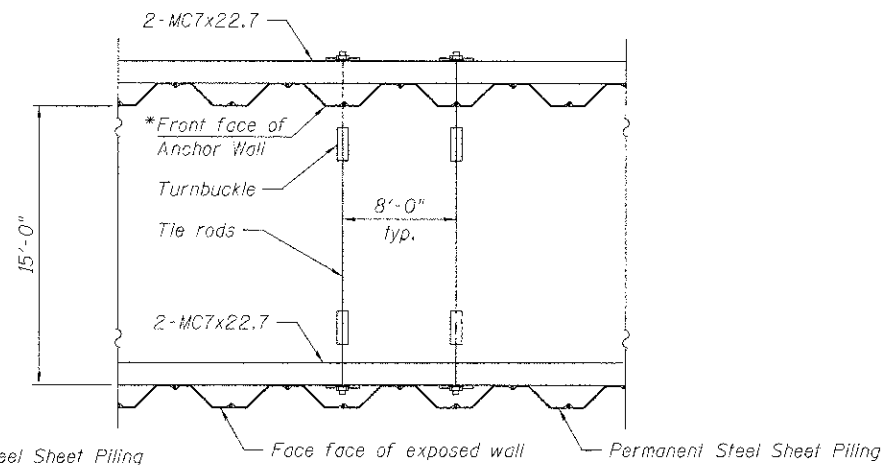
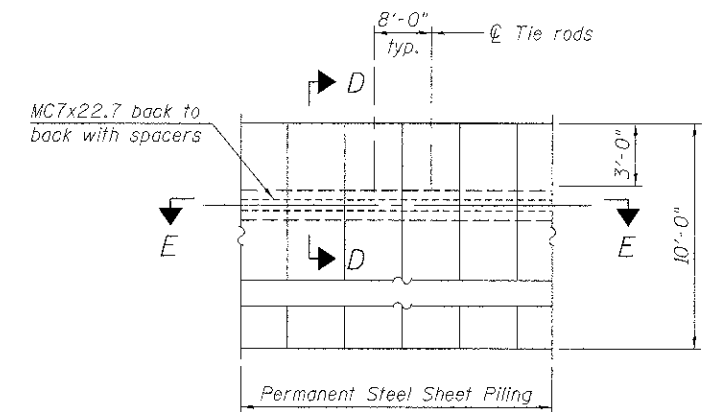


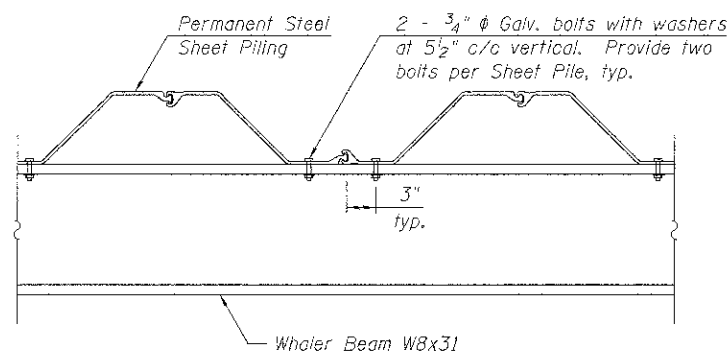
WALL PENETRATION WHALER DETAIL



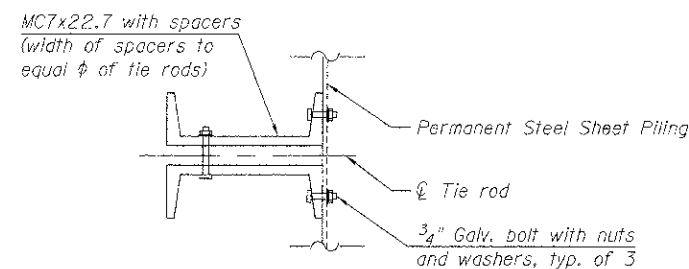
PLAN VIEW DETAIL



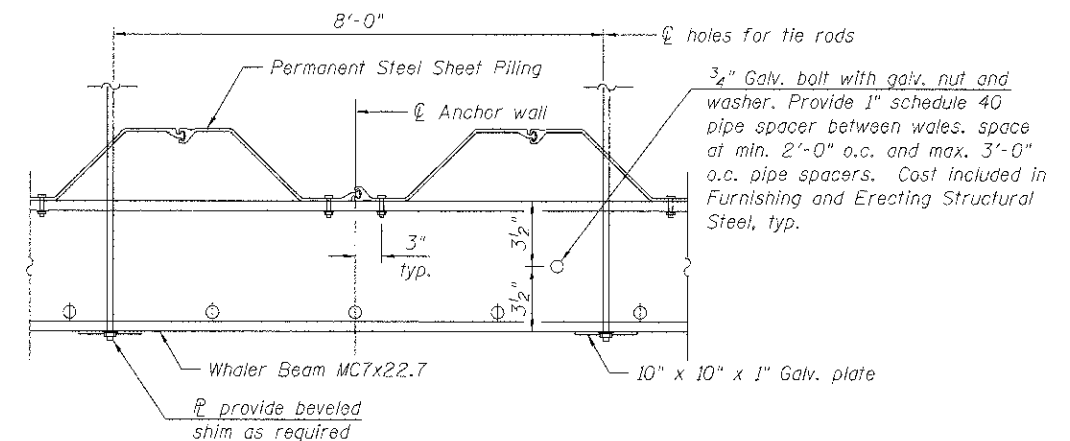
ANCHOR WALL ELEVATION



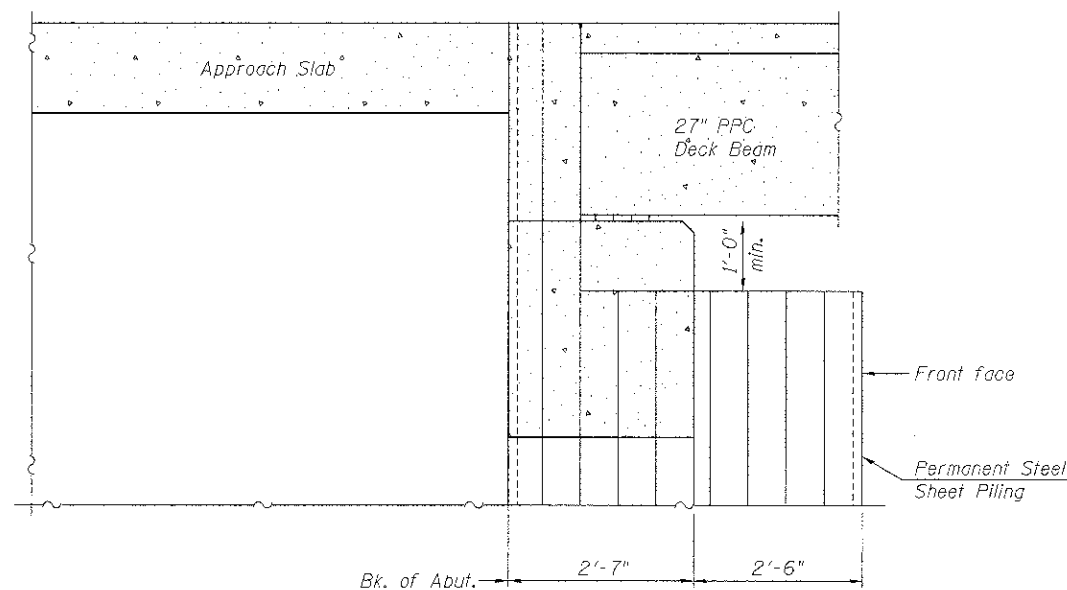
SECTION F-F



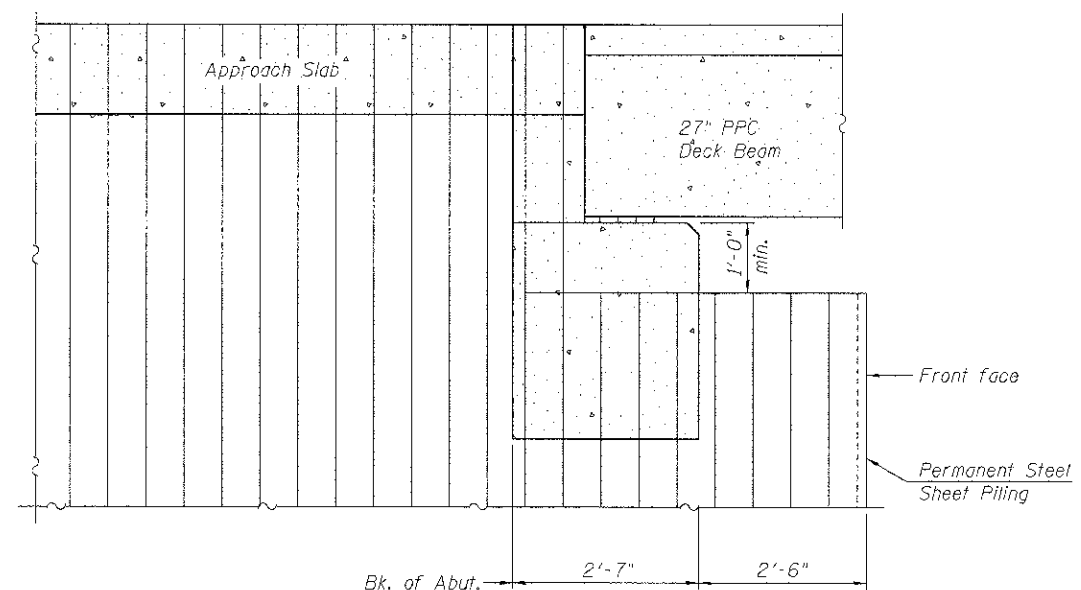
SECTION D-D



SECTION E-E



SHEET PILE ELEVATION AT NORTH END OF EAST ABUTMENT
(North End of East Abutment)



SHEET PILE WALL ELEVATION AT ABUTMENT
(Typical at West Abutment and South End of East Abutment)

FILE NAME = s:\unl\6886-6899\6812\107\micross\card sheets\structural\056-3192-6366-020-REDETAILS2.dgn