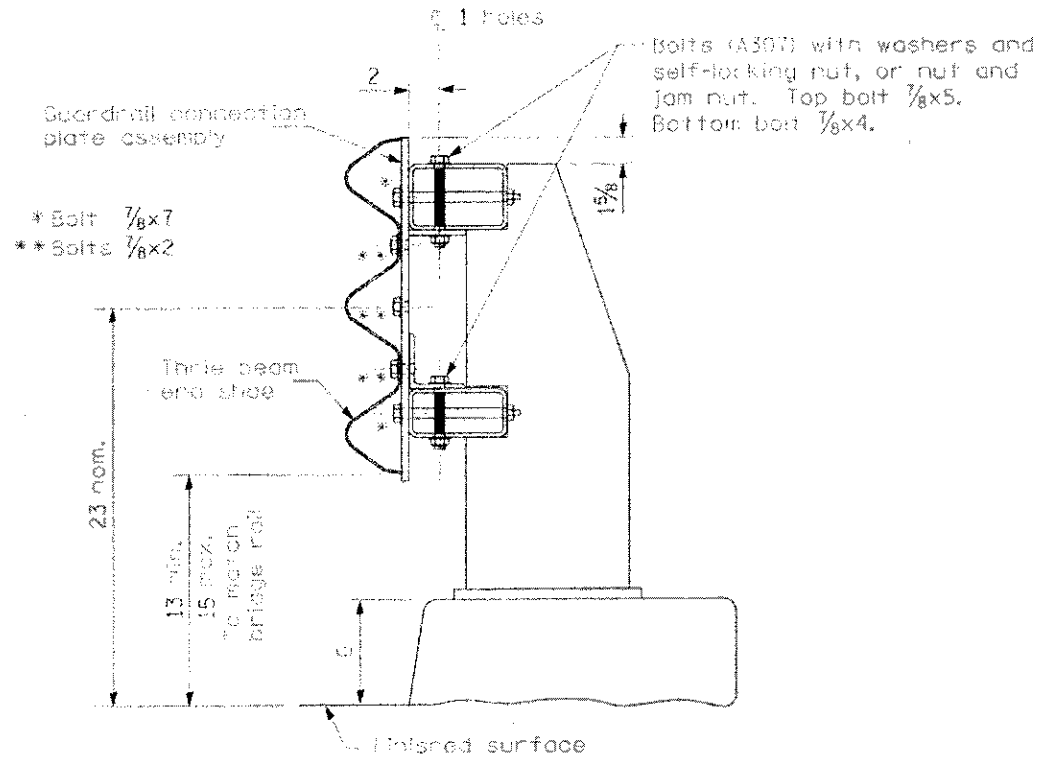
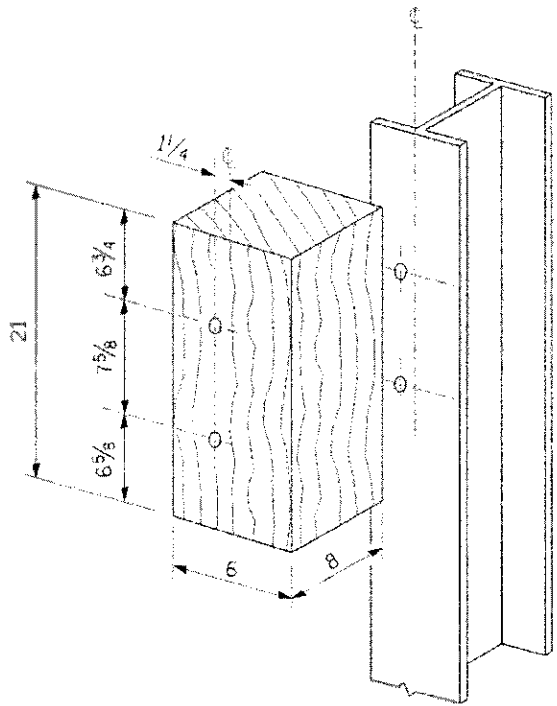


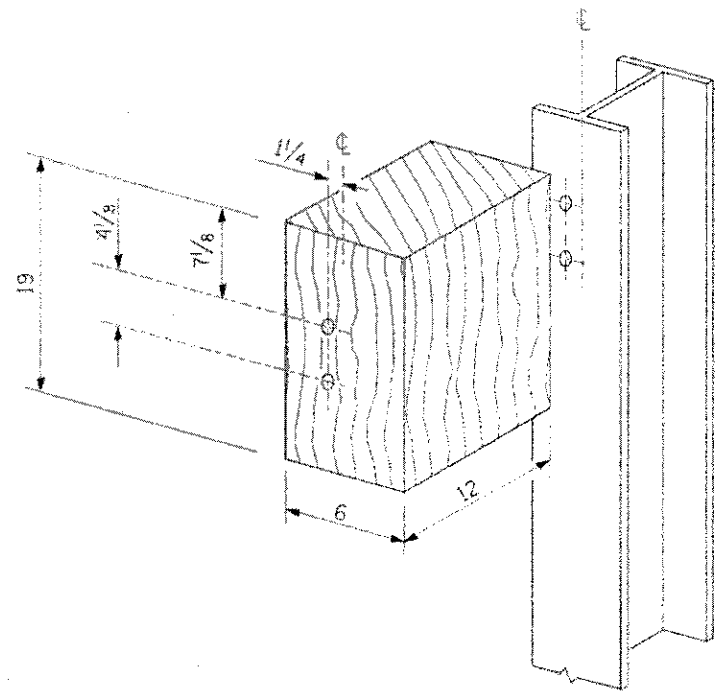
MCHENRY COUNTY
DIVISION OF TRANSPORTATION



SECTION C-C

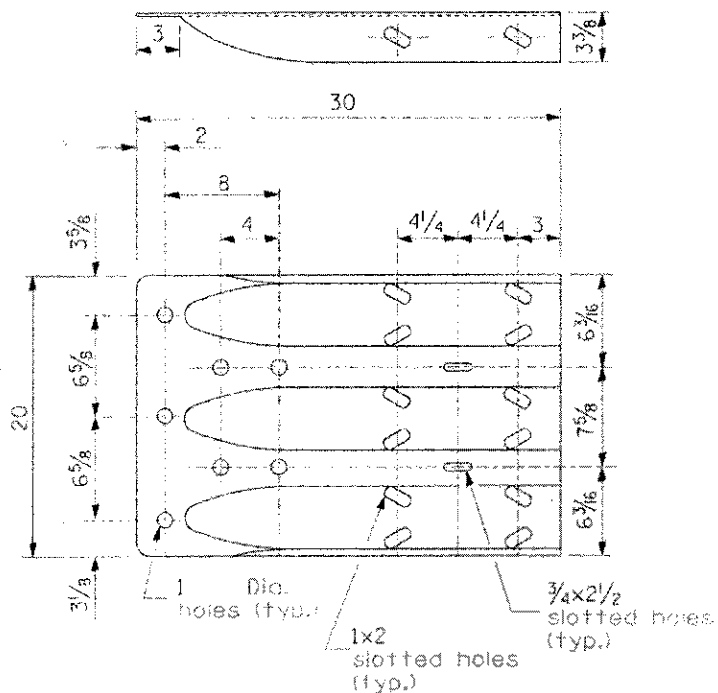


POSTS 1-11 WOOD BLOCKOUT DETAIL

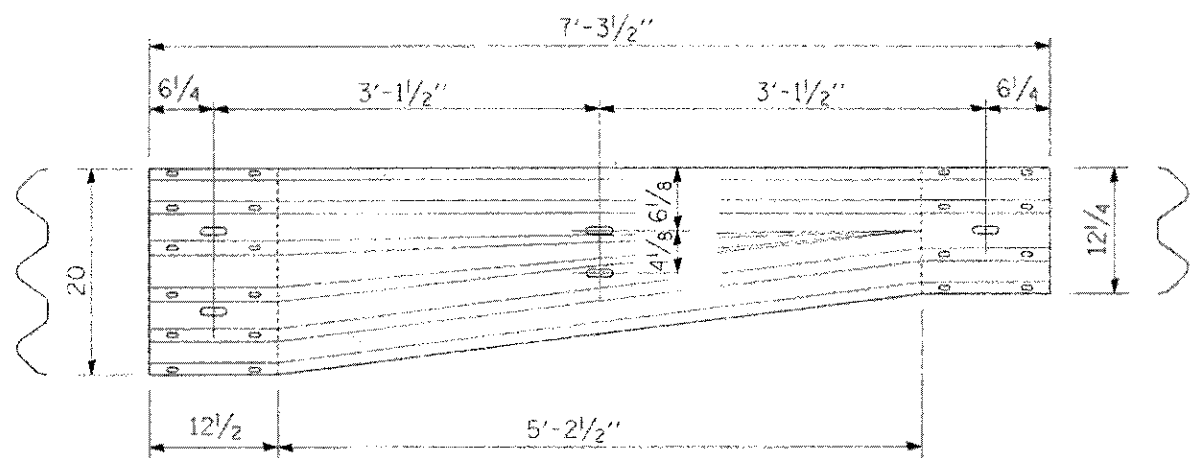


POST 12 WOOD BLOCKOUT DETAIL

(See Standard 8.51001 for post 13-17 blockouts.)



MODIFIED THRIE BEAM END SHOE DETAIL



TRANSITION SECTION
(10 gauge rail element)

TRAFFIC BARRIER TERMINAL
TYPE 6A (SPECIAL)
STRUCTURE NO. 056-3192

DESIGNED	BLD
CHECKED	AS
DRAWN	BCD
CHECKED	BLB

SHEET NO. 2 3 SHEETS	TR	SECTION	COUNTY	TOTAL SHEETS	SHEET NO.
	21	08-00356-00-BR	MCHENRY	77	61
			CONTRACT NO. 63666		
FED. ROAD DIST. NO. 1 ILLINOIS FED. AID PROJECT BRCS 0001(683)					