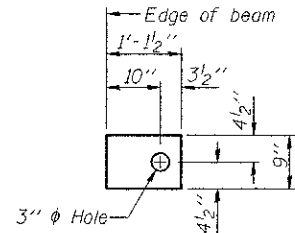


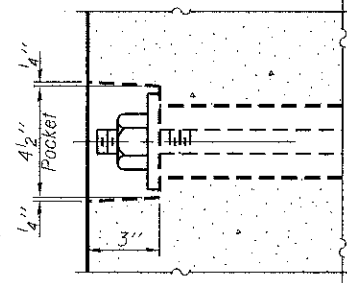
FABRIC BEARING PAD
(Interior-36 Req'd)



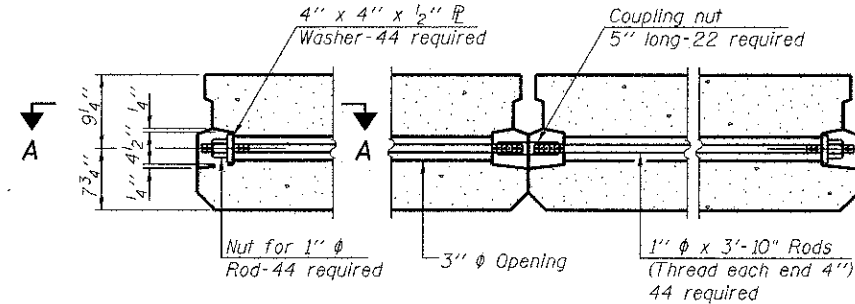
FABRIC BEARING PAD
(Exterior & at Stage Const. Line-16 Req'd)

FIXED

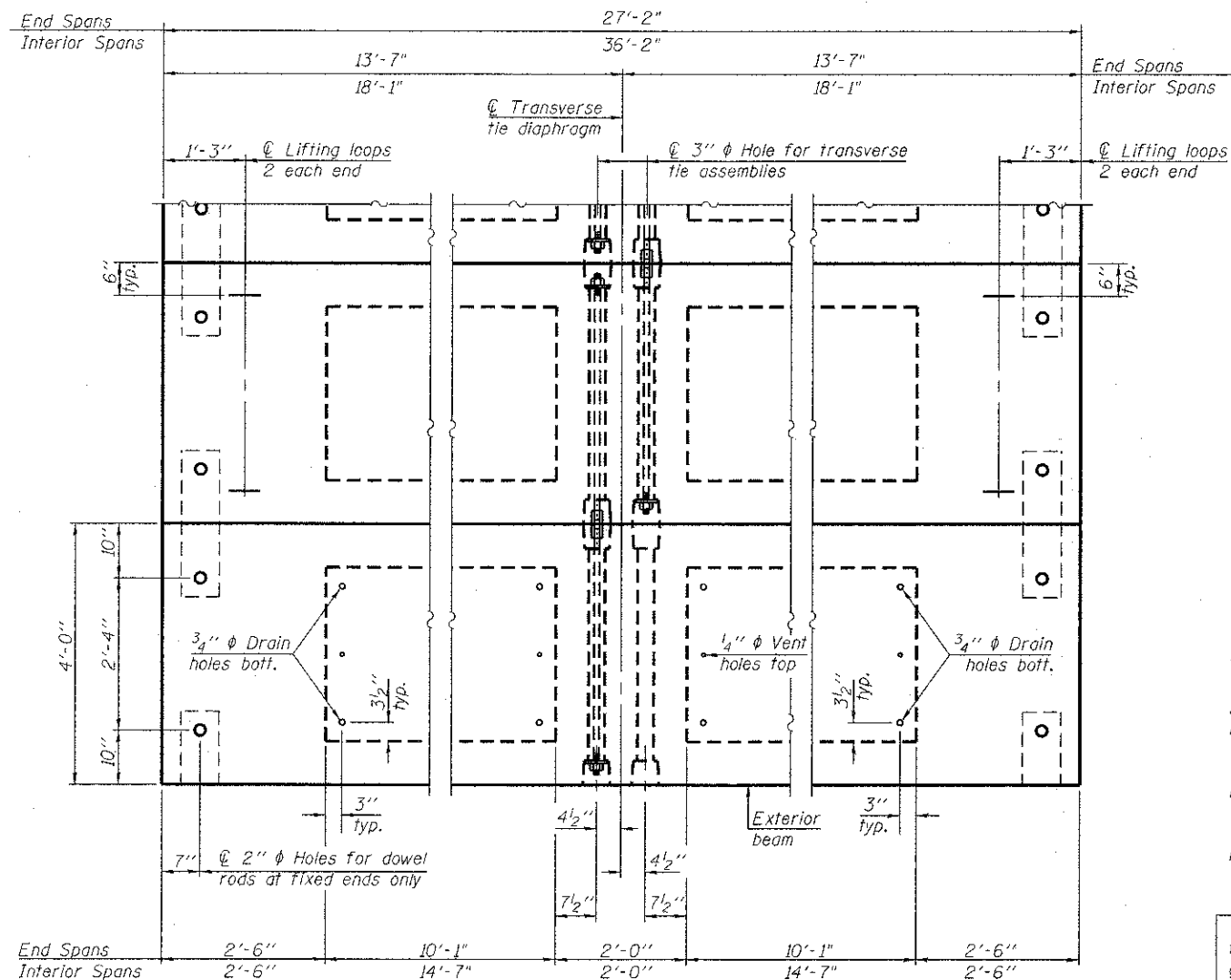
Notes:
All bearing pads shall be 1" thick.
Omit holes when using expansion bearings.
Expansion bearing pad shall be bonded to the substructure.



SECTION A-A



TYPICAL TRANSVERSE TIE ASSEMBLY



PLAN VIEW

Note: Connect beams in pairs with the transverse tie configuration shown.

PD-1748-0D 7-1-10

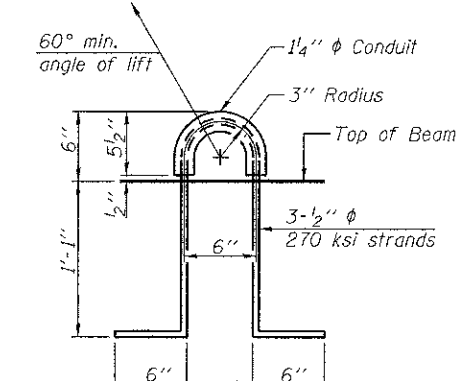
Bollinger, Lach & Associates, Inc.
ITASCA, ILLINOIS

USER NAME = gonzelo
DESIGNED JMT
CHECKED JJI
DRAWN GM
CHECKED JJI
PLOT SCALE =
PLOT DATE = 8/16/2012

DESIGNED JMT
CHECKED JJI
DRAWN GM
CHECKED JJI
REVISED -
REVISED -
REVISED -
REVISED -

McHENRY COUNTY
DIVISION OF TRANSPORTATION
LAWRENCE ROAD BRIDGE OVER PISCASAW CREEK

17x48 PPC DECK BEAM DETAILS
STRUCTURE NO. 056-3184
SHEET NO. 20 OF 33 SHEETS



LIFTING LOOP DETAIL

BILL OF MATERIAL

Precast Prestressed Conc. Deck Bms. (17" Depth)	Sq. Ft.	3986
---	---------	------

NOTES

Prestressing steel shall be uncoated high strength, low relaxation 7-wire strand, Grade 270. The nominal diameter shall be 1/2" and the nominal cross-sectional area shall be 0.153 sq. in.
The 1" rods in the transverse tie assembly shall be tightened to a snug fit and the threads set. Pockets on exterior faces of bridge shall be filled with grout after transverse tie assembly is in place.
Reinforcement bars shall conform to ASTM A 706, Grade 60. (See Special Provisions).
Two 1/8" fabric adjusting shims of the dimensions of the exterior bearing pad shall be provided for each bearing pad location.
A minimum 2 1/2" diameter lifting pin shall be used to engage the lifting loops during handling.
Corrosion Inhibitor, per Article 1020.05(b)(12) and 1021.06 of the Standard Specifications, shall be used in the concrete for precast prestressed concrete deck beams.
Compressive strength of prestressed concrete, f'c, shall be 6000 psi.
Compressive strength of prestressed concrete at release, f'ci, shall be 5000 psi.

Precast Prestressed Deck Beams shall be constructed per the Special Provisions and Section 504.05 of the Standard Specifications. Transverse tie bars/bolts, anchor dowels, bearing pads, inserts, non-shrink grouts and other items for the erection of the pre-cast concrete units shall be furnished and incidental to PRECAST PRESTRESSED CONCRETE DECK BEAMS (17" DEPTH).

Keyway surfaces shall be cleaned to remove form oil or other bond breaking material prior to shipment of the beams. Cleaning shall be done by sandblasting the keyway areas between top of the beam and the bottom edge of the key.

FILE NAME = n:\1755-012 Lawrence rd bridge\structure\17x48\17x48-020.dgn

F.A.S. RTE.	SECTION	COUNTY	TOTAL SHEETS	SHEET NO.
0028	08-00355-01-BR	McHENRY	87	52
CONTRACT NO. 63694			ILLINOIS FED. AID PROJECT	