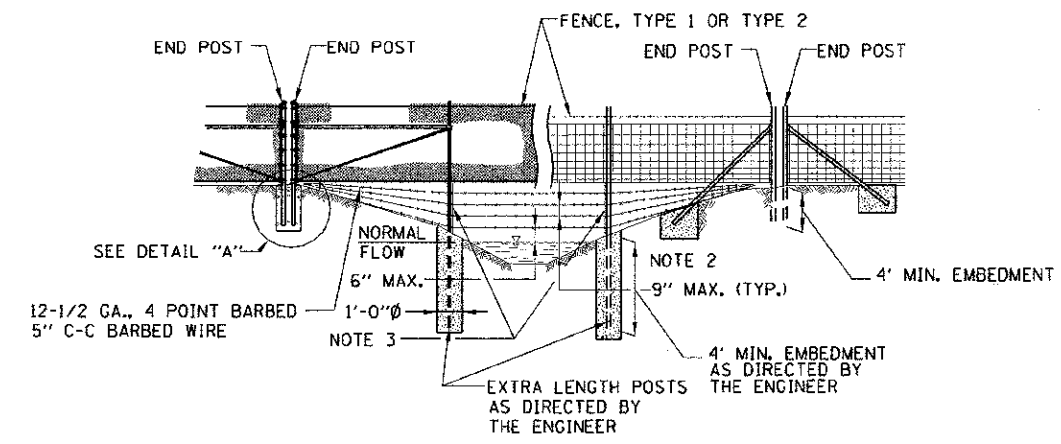
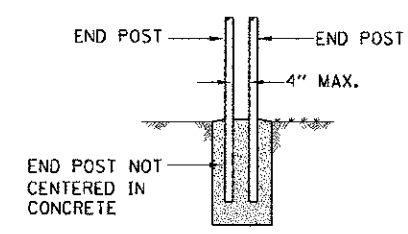


NORMAL FLOW: NONE.  
MAY BE VARIED FOR  
STEEPER BANKS TO FIT  
VARIOUS CHANNEL SECTIONS.

**STREAM CROSSING TYPE I**



**STREAM CROSSING TYPE II**

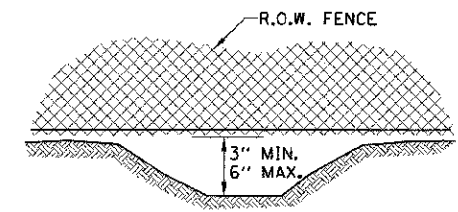


THE FENCE FABRIC SHALL BE REPLACED BY BARBED WIRE STRANDS AT 12\"/>

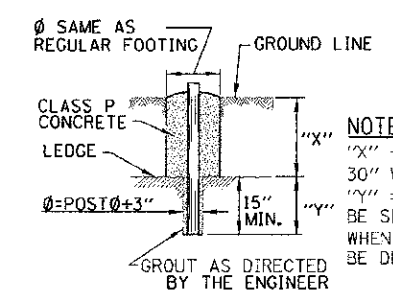
**DETAIL A**

**NOTES FOR STREAM CROSSING TYPE I AND TYPE II:**

1. THESE INSTALLATION CONDITIONS ARE TYPICAL AND ARE NOT TO BE CONSTRUED AS REPRESENTATIVE OF ALL CONDITIONS WHICH WILL BE ENCOUNTERED. CONSTRUCTION WILL BE VARIED AS REQUIRED OR DIRECTED TO MEET FIELD CONDITIONS.
2. FOR STREAM CROSSING OF THE TYPE REQUIRED THE BOTTOM BARBED WIRE SHALL BE ANCHORED TO CONCRETE FOOTING OR TO HOLES DRILLED IN POSTS, AND INTERMEDIATE WIRES SHALL BE TIED TO THE BOTTOM WIRE AND TO POSTS IN AN EVENLY SPACED FASHION TO PREVENT SLIPPAGE.
3. CONCRETE AND FITTINGS FOR ALL TYPES OF FENCE SHALL BE AS DETAILED FOR SIMILAR CONDITIONS ON STANDARD DRAWING SD XX-8A AND SD XX-8C.

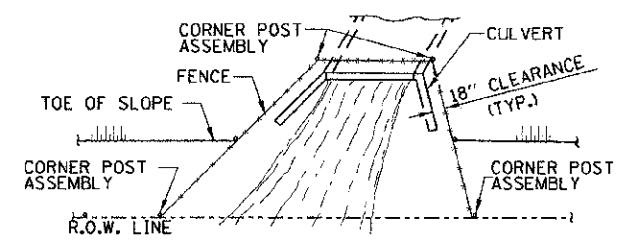


**FENCE INSTALLATION OVER DITCH**

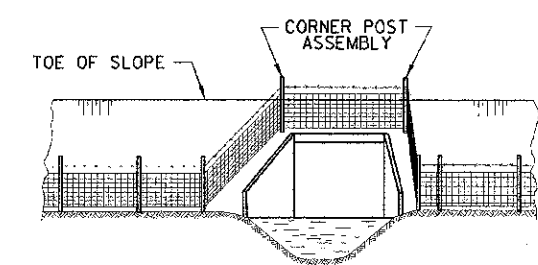


**NOTE:**  
"X" + "Y" SHALL NOT EXCEED 30" WHEN "X" IS 0" TO 15" "Y" = 15", AND THE POST SHALL BE SHORTENED AS REQUIRED. WHEN "X" EXCEEDS 15" "Y" SHALL BE DECREASED ACCORDINGLY.

**FOOTING FOR POST WHEN ROCK LEDGE IS ENCOUNTERED**



**PLAN AT HEADWALL**



**ELEVATION**

**NOTES FOR INSTALLATION AROUND HEADWALL:**

1. THIS TYPE OF INSTALLATION IS TO BE USED ONLY WHEN SPECIFICALLY CALLED FOR IN THE CONTRACT PLANS.
2. WHEN THE WIDTH OF THE CULVERT MAKES NECESSARY TO ANCHOR A POST TO THE TOP OF THE CULVERT, A CAST IRON SHOE OR OTHER DEVICE APPROVED BY THE ENGINEER SHALL BE USED. THE COST OF ANCHORING THE POST SHALL BE INCIDENTAL TO THE TYPE OF FENCE REQUIRED.

**INSTALLATION AROUND HEADWALL**



RIGHT OF WAY FENCE  
Sheet 18 of 27  
CONTRACT NO. 6372B  
STANDARD D1-01

APPROVED: *Paul Kovacs*  
CHIEF ENGINEER DATE 7-1-2009