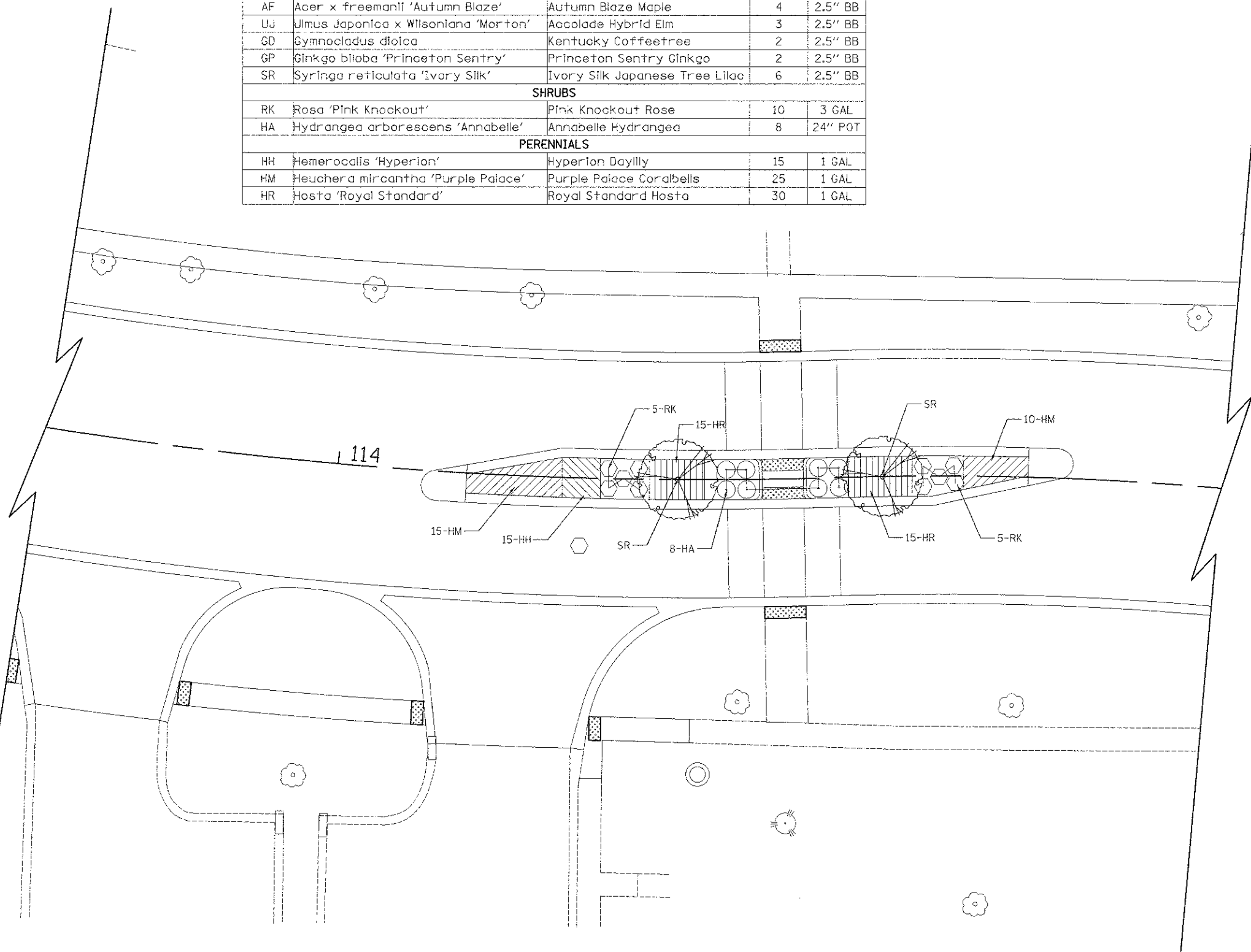


KEY	LATIN NAME	COMMON NAME	QTY	SIZE
TREES				
CO	<i>Celtis occidentalis</i>	Hackberry	2	2.5" BB
AF	<i>Acer x freemanii</i> 'Autumn Blaze'	Autumn Blaze Maple	4	2.5" BB
Uj	<i>Ulmus Japonica x Wilsoniana</i> 'Morton'	Accolade Hybrid Elm	3	2.5" BB
GD	<i>Gymnocladus dioica</i>	Kentucky Coffeetree	2	2.5" BB
GP	<i>Ginkgo biloba</i> 'Princeton Sentry'	Princeton Sentry Ginkgo	2	2.5" BB
SR	<i>Syringa reticulata</i> 'Ivory Silk'	Ivory Silk Japanese Tree Lilac	6	2.5" BB
SHRUBS				
RK	<i>Rosa</i> 'Pink Knockout'	Pink Knockout Rose	10	3 GAL
HA	<i>Hydrangea arborescens</i> 'Annabelle'	Annabelle Hydrangea	8	24" POT
PERENNIALS				
HH	<i>Hemerocallis</i> 'Hyperion'	Hyperion Daylily	15	1 GAL
HM	<i>Heuchera miracantha</i> 'Purple Palace'	Purple Palace Coralbells	25	1 GAL
HR	<i>Hosta</i> 'Royal Standard'	Royal Standard Hosta	30	1 GAL



PLAN	SURVEYED	DATE
	PLOTTED	
	CHECKED	
	BY	
	DATE	

PROFILE	SURVEYED	DATE
	PLOTTED	
	CHECKED	
	BY	
	DATE	



SCALE IN FEET

WALNUT LANE

FILE NAME ...14-Landscape\2536-LS-22.dgn	USER NAME = djk	DESIGNED - JSM	REVISED -	STATE OF ILLINOIS DEPARTMENT OF TRANSPORTATION	WALNUT LANE MEDIAN LANDSCAPING PLAN		F.A.U. RTE. 2556	SECTION 08-00094-00-PV	COUNTY COOK	TOTAL SHEET NO. 113	SHEET NO. 1 OF 1 SHEETS
	PLOT SCALE = 10,0000' / 1"	DRAWN - JSM	REVISED -		SCALE: 1" = 10'	SHEET NO. 1 OF 1 SHEETS	STA.	TO STA.	CONTRACT NO. 63738	ILLINOIS FED. AID PROJECT M-9003(494)	
	PLOT DATE = 8/15/2012	CHECKED - DJK	REVISED -								
		DATE - 8/20/2012	REVISED -								