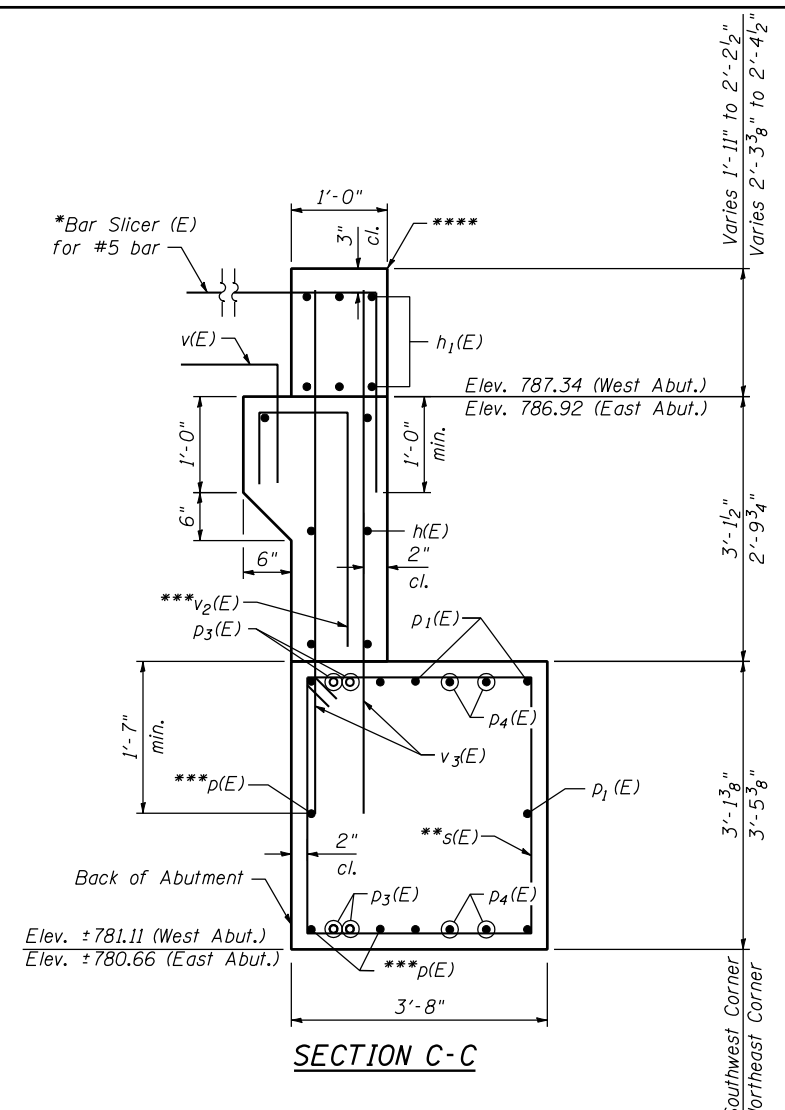
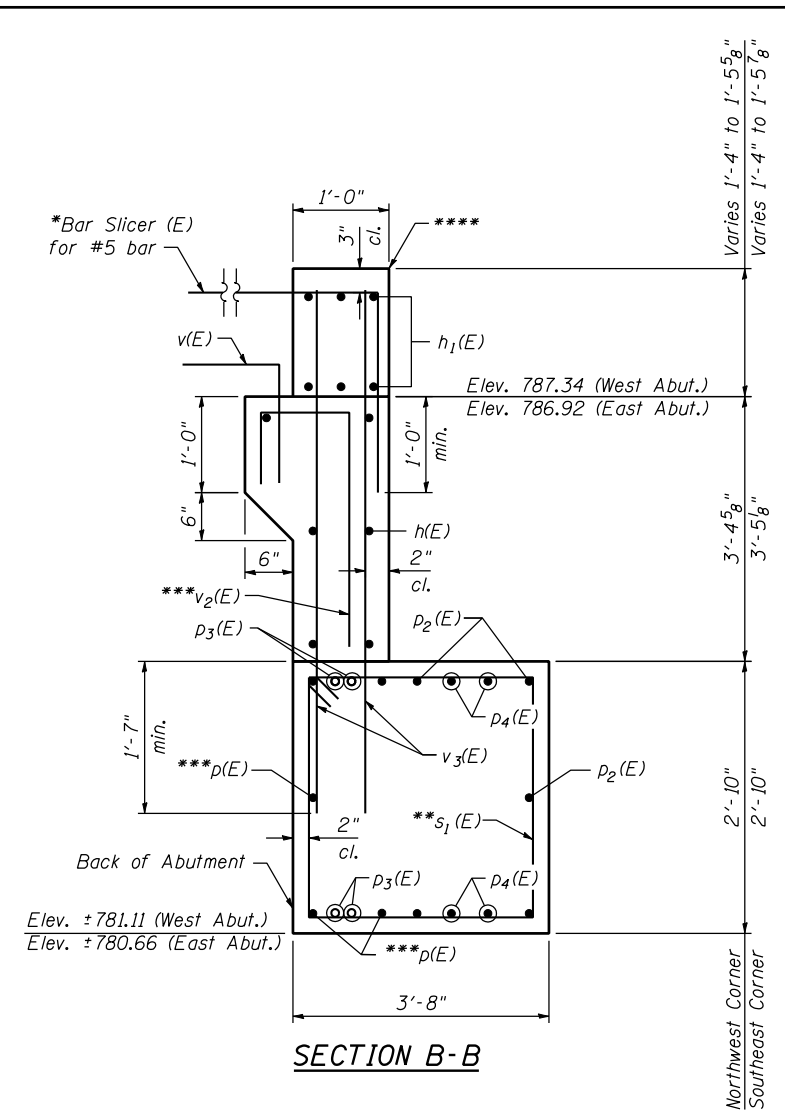
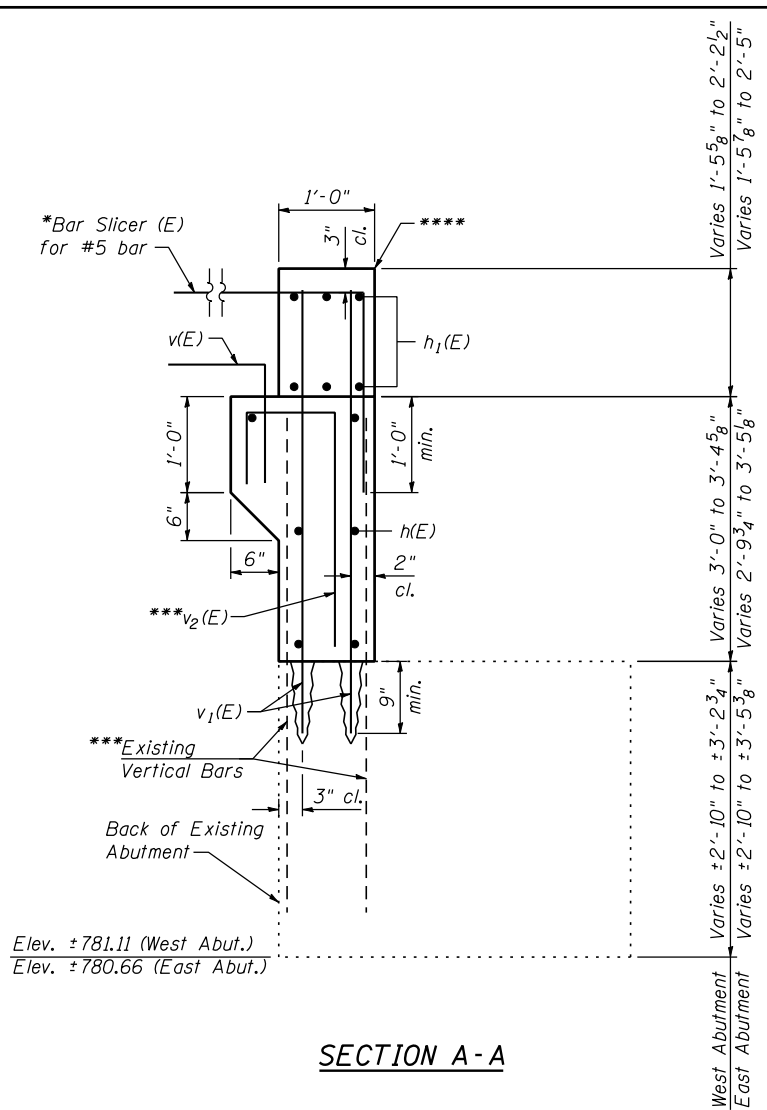


FILE NAME = s:\p1\6380--6395\6346\025\micro\cadd sheets\structural\plans\089-0007-64E76-021-ABUTDET.dgn



\* Align with Approach Slab longitudinal reinforcement.  
 \*\* Tilt in field to fit skew.  
 \*\*\* Cut in field as necessary to fit.  
 \*\*\*\* See Sheet 11 of 27 for hatch block pouring and payment details and Sheet 14 of 27 for Preformed Joint Strip Seal details.

**BILL OF MATERIAL**

Bar	No.	Size	Length	Shape
h(E)	48	#5	30'-0"	—
h1(E)	48	#6	30'-0"	—
h2(E)	64	#6	18'-0"	—
h3(E)	8	#6	9'-9"	—
p(E)	20	#7	8'-7"	—
p1(E)	10	#7	2'-8"	—
p2(E)	10	#7	3'-3"	—
p3(E)	16	#8	6'-11"	—
p4(E)	16	#8	3'-10"	—
s(E)	12	#4	13'-5"	□
s1(E)	12	#4	12'-5"	□
s2(E)	12	#4	8'-1"	□
s3(E)	12	#4	7'-1"	□
v(E)	232	#5	3'-5"	—
v1(E)	376	#4	7'-0"	—
v2(E)	232	#4	5'-1"	—
v3(E)	72	#4	7'-10"	—
v4(E)	18	#5	12'-0"	—
v5(E)	18	#5	10'-0"	—
v6(E)	4	#5	8'-1"	—
v7(E)	4	#5	7'-3"	—
Reinforcement Bars, Epoxy Coated		Pound	11,000	
Concrete Structures		Cu Yd	50	

