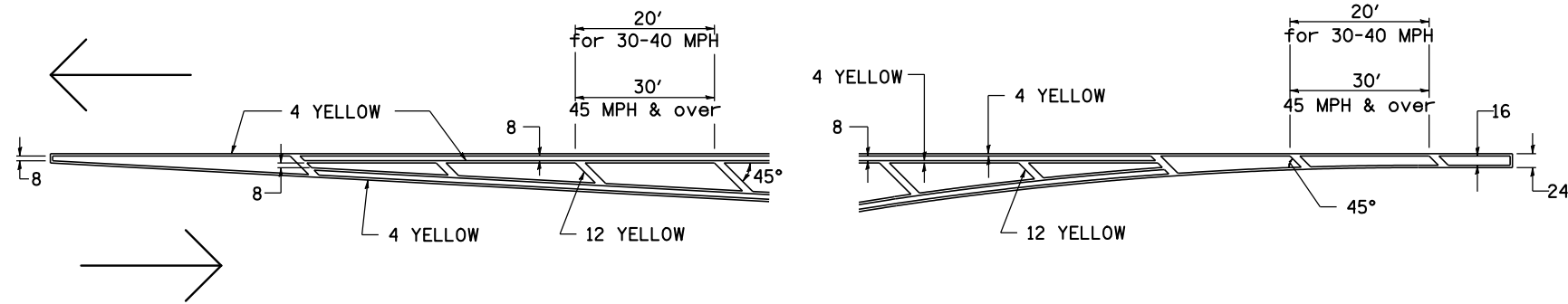
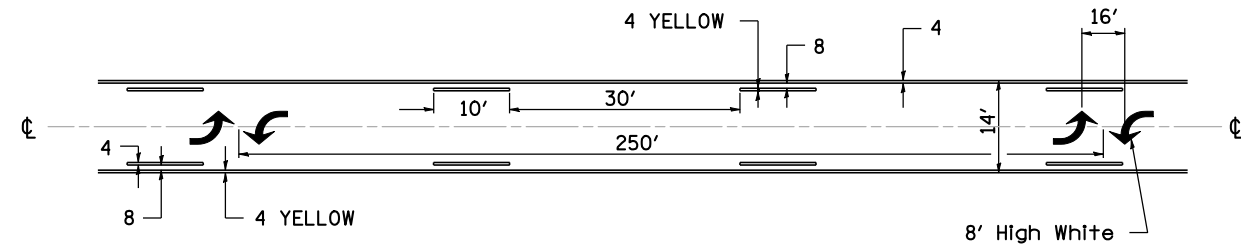


# TYPICAL PAVEMENT MARKINGS

## TYPICAL PAVEMENT MARKING FOR FLUSH MEDIAN AT LEFT TURN LANE

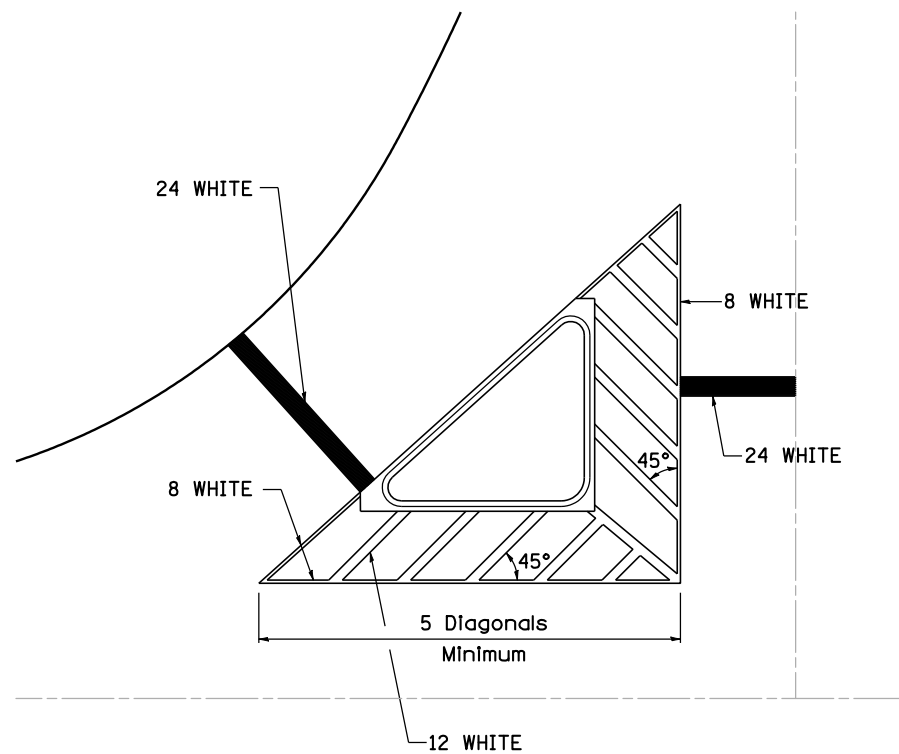


## MEDIAN PAVEMENT MARKING

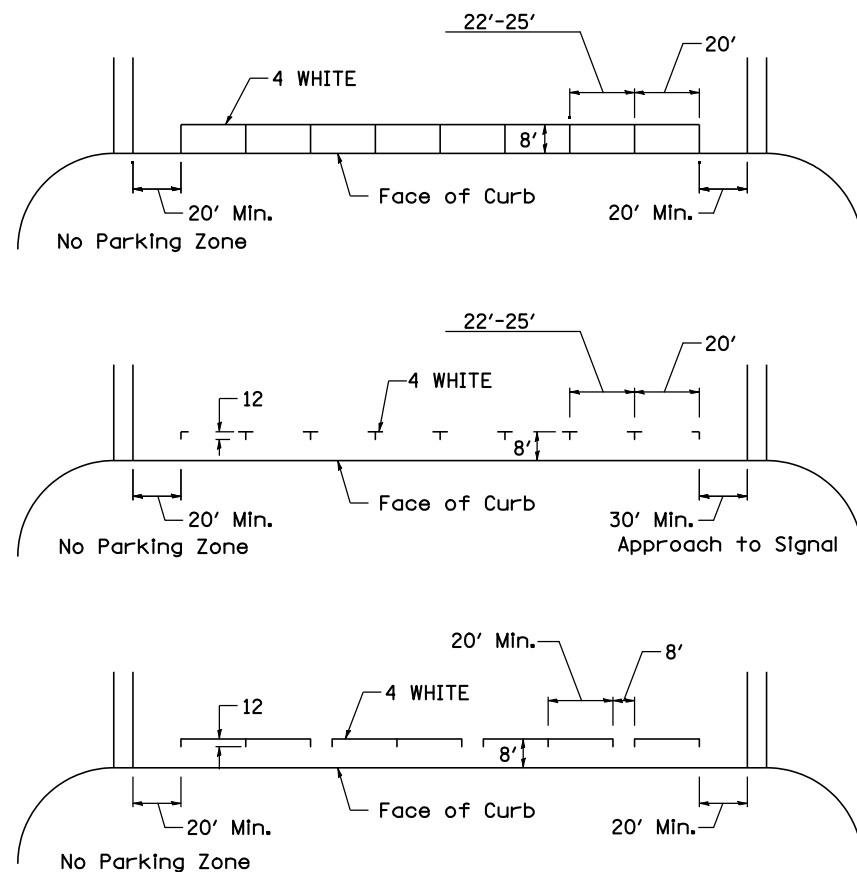


\*\* ALL DIMENSIONS ARE IN INCHES UNLESS OTHERWISE NOTED.

## TYPICAL ISLAND OFFSET SHOULDER WIDTH

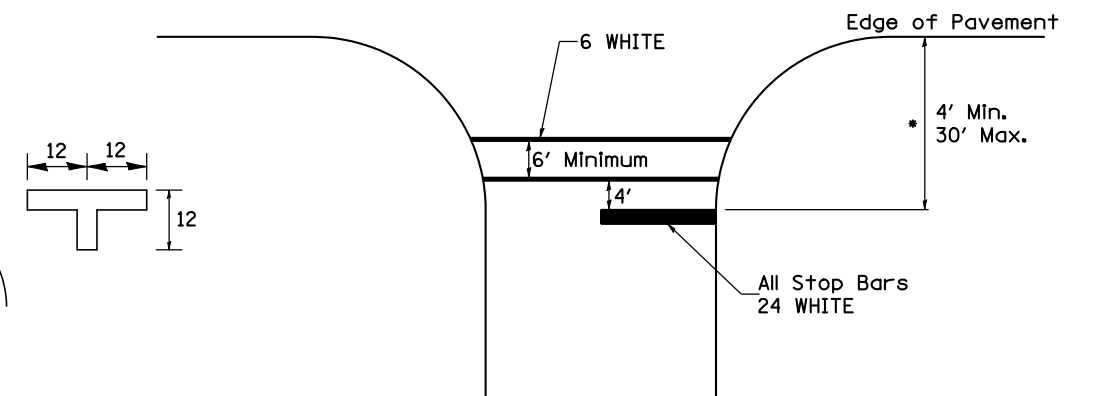


## TYPICAL PARKING SPACING



## STANDARD CROSSWALK MARKING

See Schedules for Locations



\* Distance to the nearest edge of the intersecting roadway in the absence of a marked crosswalk.

## TYPICAL PAVEMENT MARKINGS SHEET 1 OF 3 41.1

FILE NAME =	USER NAME = brianf	DESIGNED -	REVISED - 3-5-12	<b>STATE OF ILLINOIS DEPARTMENT OF TRANSPORTATION</b>	<b>REGION 2 / DISTRICT 2 STANDARD</b>			F.A.P. RTE.	SECTION	COUNTY	TOTAL SHEETS	SHEET NO.
st:\joi\6300--6399\6346\029\micro\cadd	sheets\0264E76-shit-districtdetails.dgn	DRAWN -	REVISED -					5	(19VB-1)D	STEPHENSON	73	62
	PLOT SCALE = 2.0000' / IN.	CHECKED -	REVISED -		CONTRACT NO. 64E76							
	PLOT DATE = 8/6/2012	DATE -	REVISED -		FED. ROAD DIST. NO.	ILLINOIS FED. AID PROJECT						