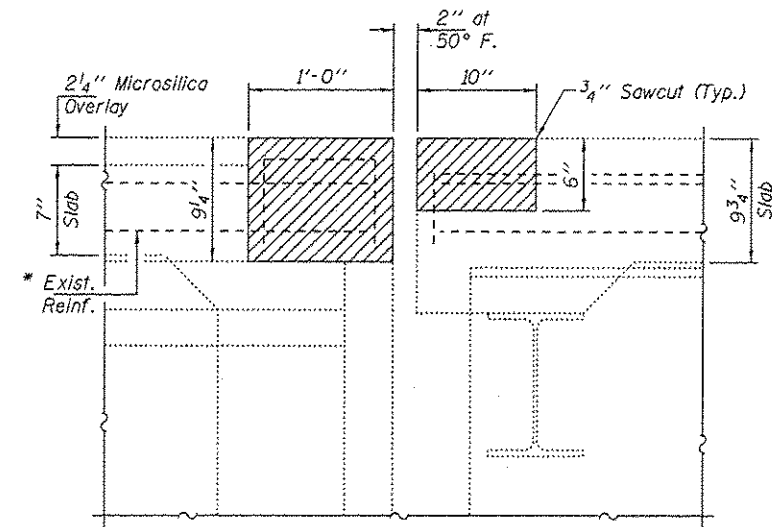


**CONCRETE REMOVAL  
AT SOUTH ABUTMENT**

**CONCRETE REMOVAL  
AT NORTH ABUTMENT**



**SECTION C-C**  
Dimensions at Rt. L's

\* Existing reinforcement extending into the removal area shall be cleaned, straightened and incorporated into the new construction. Any reinforcement bars that are damaged during concrete removal shall be replaced with an approved bar splicer or anchorage system. Cost shall be included with Concrete Removal.

DESIGNED - GGE	EXAMINED - <i>Timothy A. Daulton</i>
CHECKED - ADY	ACTING ENGINEER OF STRUCTURAL SERVICES
DRAWN - Kyle M. Steffen	PASSED - <i>Carl Kopp</i>
CHECKED - GGE ADY	ACTING ENGINEER OF BRIDGES AND STRUCTURES

DATE - SEPTEMBER 19, 2012
---------------------------

**STATE OF ILLINOIS  
DEPARTMENT OF TRANSPORTATION**

**CONCRETE REMOVAL DETAILS  
SN 071-0063 (N.B.)**

SHEET NO. 4 OF 13 SHEETS

F.A.I. RTE.	SECTION	COUNTY	TOTAL SHEETS	SHEET NO.
39	D2 DECK REPAIR 2013-1	OGLE	32	18
CONTRACT NO. 64H73			ILLINOIS FED. AID PROJECT	