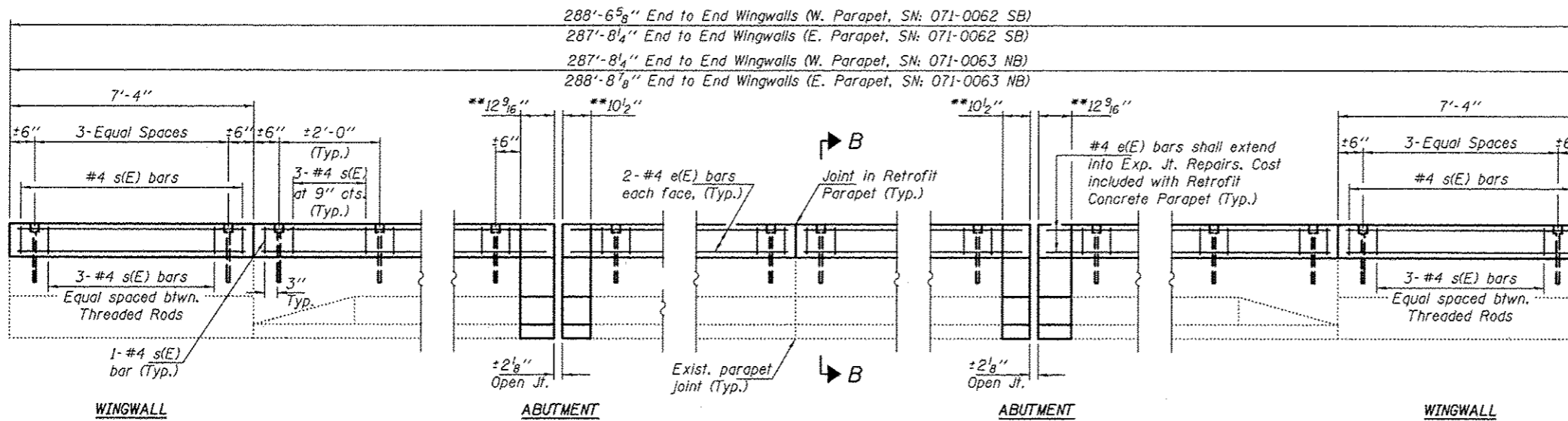


WINGWALL

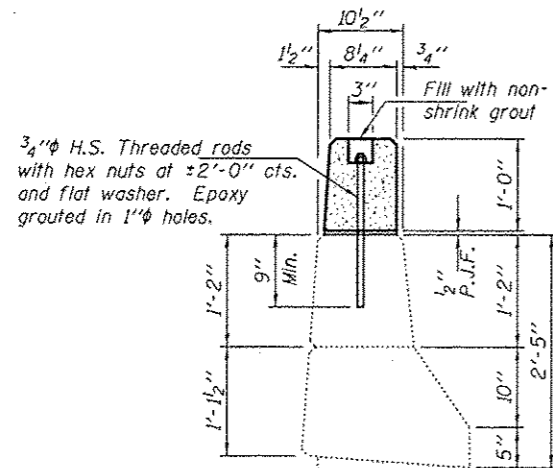
* d(E) bars to be epoxy grouted in 7/8" φ x 9" min. holes.
 ** Portion of Parapet to be rebuilt with Expansion Joint Replacement.

TYPICAL INSIDE ELEVATION OF PARAPET
 (Cast-in-Place Alternate)

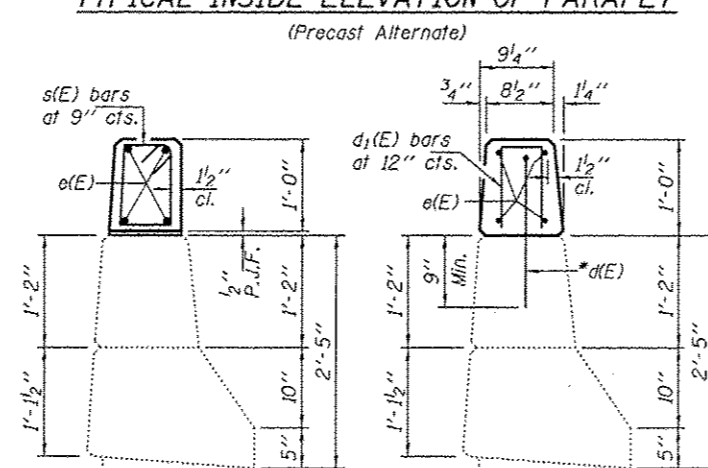


WINGWALL

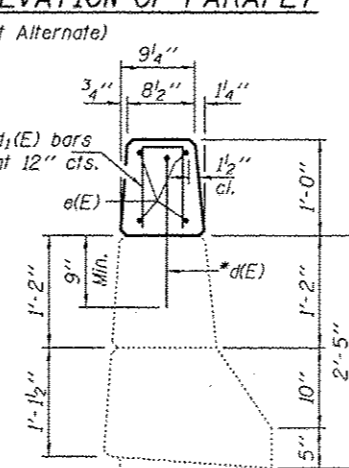
TYPICAL INSIDE ELEVATION OF PARAPET
 (Precast Alternate)



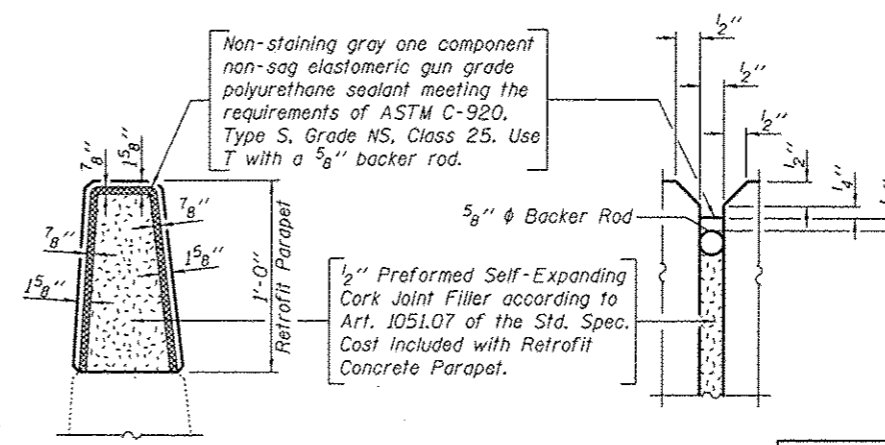
SECTION B-B
 (Showing Attachment)



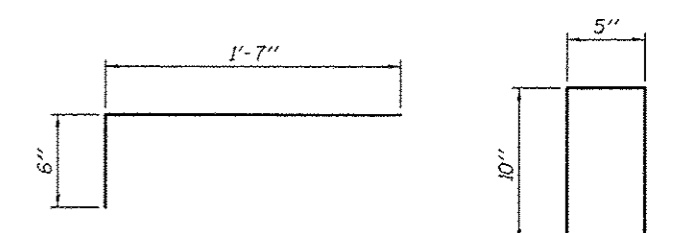
SECTION B-B
 (Showing Reinforcement)



SECTION A-A

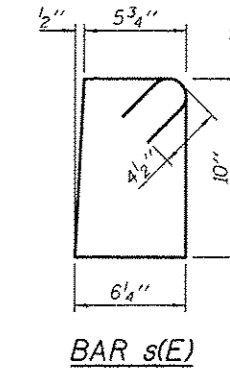


PARAPET JOINT DETAILS



BAR d(E)

BAR d₁(E)



BAR s(E)

BILL OF MATERIAL

ITEM	UNIT	QUANTITY
Retrofit Concrete Parapet	Foot	1149

DESIGNED - GGE	EXAMINED - <i>Timothy A. Smith</i> ACTING ENGINEER OF STRUCTURAL SERVICES	DATE - SEPTEMBER 19, 2012
CHECKED - ADY	PASSED - <i>Carl King</i> ACTING ENGINEER OF BRIDGES AND STRUCTURES	
DRAWN - Kyle M. Steffen		
CHECKED - GGE ADY		

STATE OF ILLINOIS
 DEPARTMENT OF TRANSPORTATION

RETROFIT CONCRETE PARAPET DETAILS
 SN 071-0062 (S.B.) & 0063 (N.B.)

F.A.I. RTE.	SECTION	COUNTY	TOTAL SHEETS	SHEET NO.
39	D2 DECK REPAIR 2013-1	OGLE	32	20
			CONTRACT NO. 64H73	
ILLINOIS FED. AID PROJECT				