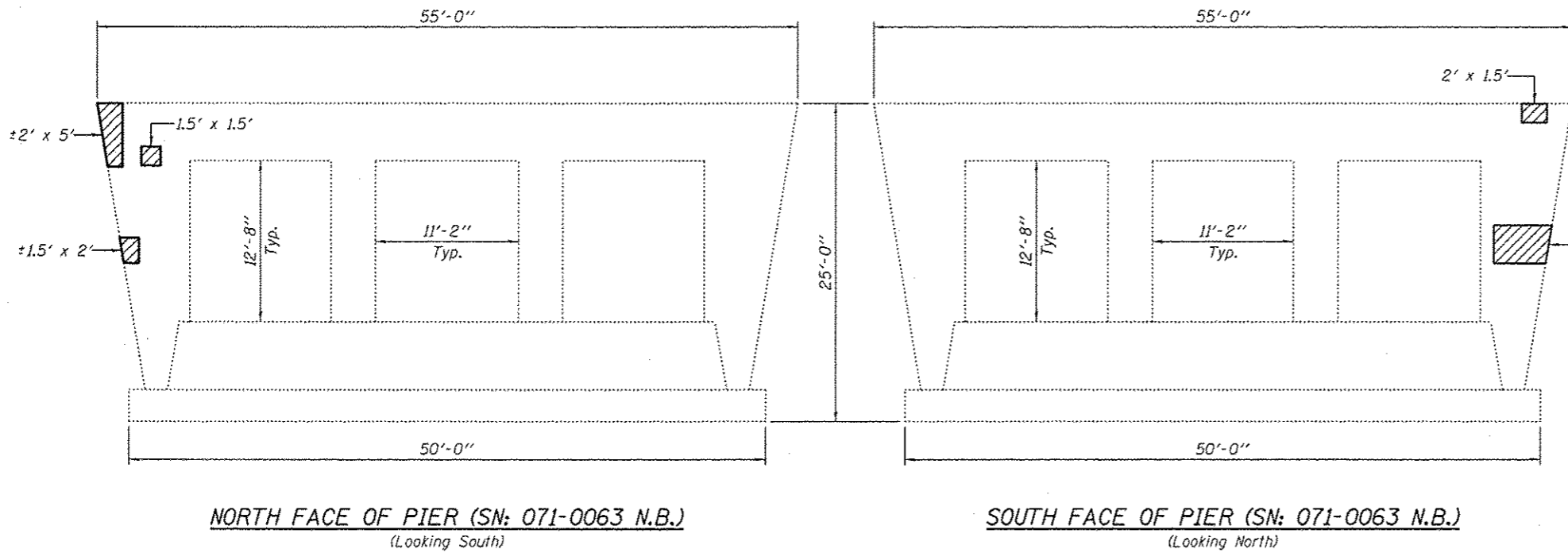
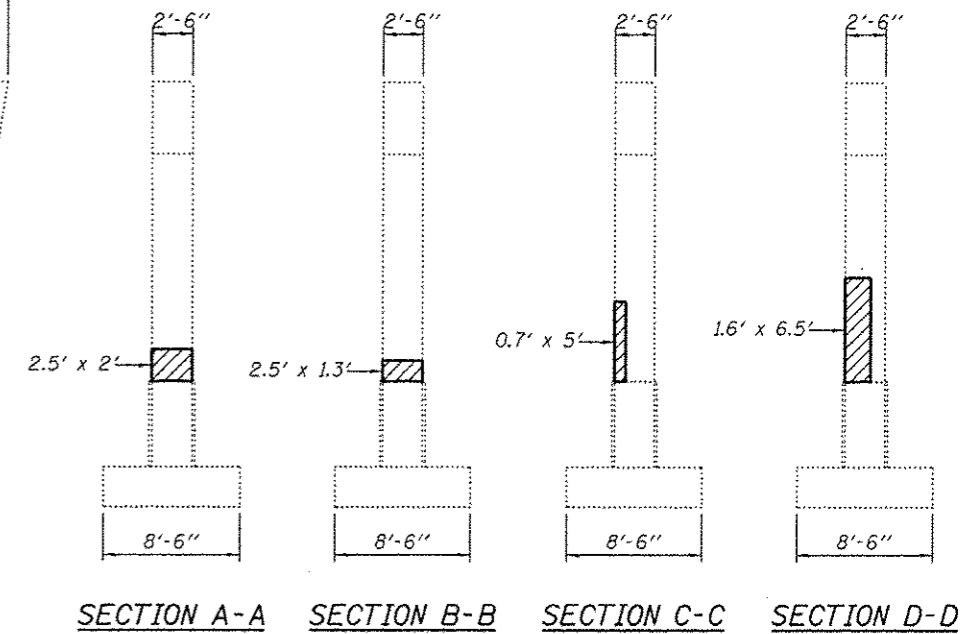


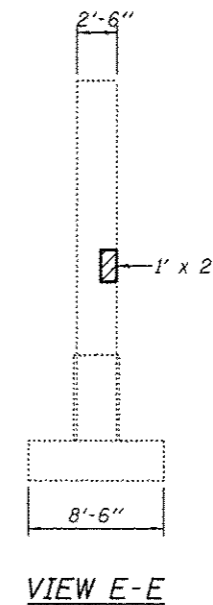
NORTH FACE OF PIER (SN: 071-0062 S.B.)
(Looking South)

SOUTH FACE OF PIER (SN: 071-0062 S.B.)
(Looking North)



NORTH FACE OF PIER (SN: 071-0063 N.B.)
(Looking South)

SOUTH FACE OF PIER (SN: 071-0063 N.B.)
(Looking North)



VIEW E-E

BILL OF MATERIAL

ITEM	UNIT	QUANTITY
Structural Repair of Concrete (Depth ≤ 5 inches)	Sq. Ft.	119

DESIGNED - GGE	EXAMINED - <i>Timothy A. Doherty</i>	DATE - SEPTEMBER 19, 2012
CHECKED - ADY	ACTING ENGINEER OF STRUCTURAL SERVICES	
DRAWN - Kyle M. Steffen	PASSED - <i>Carl King</i>	
CHECKED - GGE ADY	ACTING ENGINEER OF BRIDGES AND STRUCTURES	

STATE OF ILLINOIS
DEPARTMENT OF TRANSPORTATION

STRUCTURAL REPAIR OF CONCRETE AT PIERS
SN 071-0062 (S.B.) & 0063 (N.B.)

F.A.I. RTE.	SECTION	COUNTY	TOTAL SHEETS	SHEET NO.
39	D2 DECK REPAIR 2013-1	OGLE	32	26A
ILLINOIS FED. AID PROJECT			CONTRACT NO. 64HT3	