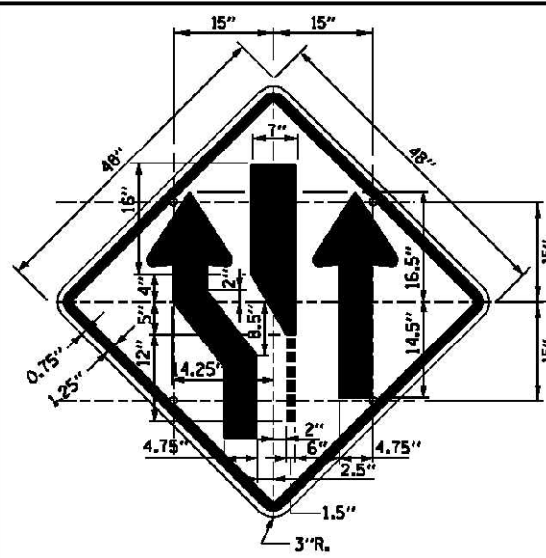


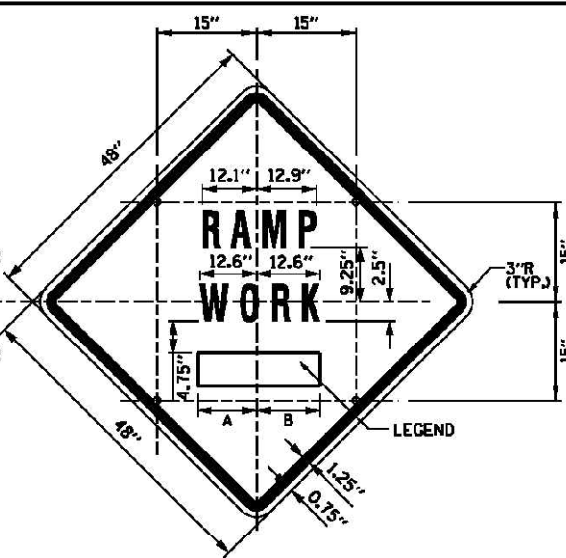
| | |
|---------------|--|
| DATE | |
| BY | |
| SURVEYED | |
| PLOTTED | |
| TEMPLATE | |
| NO. BOOK | |
| AREAS CHECKED | |
| NO. | |

| | |
|---------------|--|
| DATE | |
| BY | |
| SURVEYED | |
| PLOTTED | |
| TEMPLATE | |
| NO. BOOK | |
| AREAS CHECKED | |
| NO. | |



SIGN TS-1 (O)

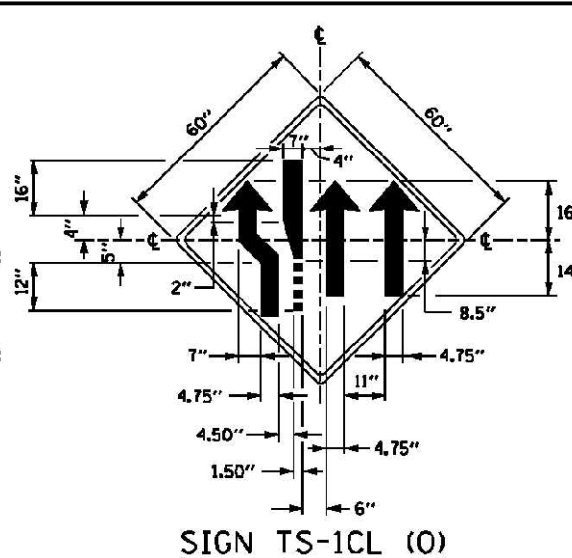
COLOR: BACKGROUND - FLUORESCENT ORANGE (O)
 BORDER AND SYMBOL - BLACK
 SIZE: 48"x48"
 MOUNTING HOLES: 7/16" DIA., 4 HOLES SPACED AS SHOWN
 NOTE: SIGN TS-1L IS SHOWN; REVERSE SYMBOL FOR SIGN TS-1R



SIGN TS-2 (O)

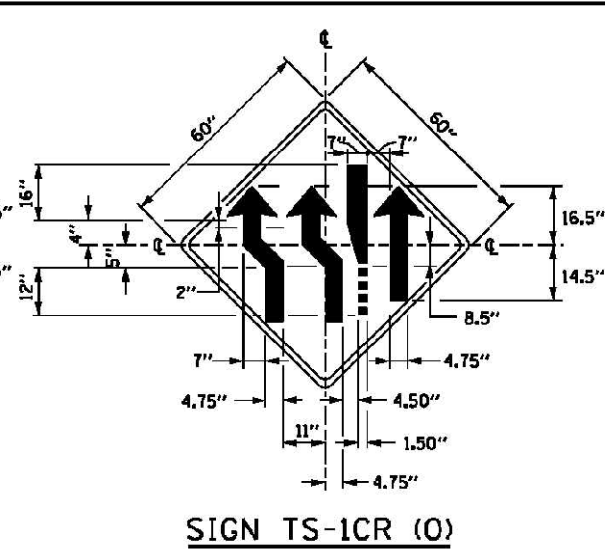
COLOR: BACKGROUND - FLUORESCENT ORANGE (O)
 BORDER AND SYMBOL - BLACK
 SIZE: 48"x48"
 LETTERING: 7" FEDERAL SERIES D
 MOUNTING HOLES: 7/16" DIA., 4 HOLES SPACED AS SHOWN

| SIGN NO. | LEGEND | A | B |
|----------|----------|-----------|-----------|
| TS-2A | AHEAD | 15.50" | 15.50" |
| TS-2B | 500 FT | 14.25" | 15.13" |
| TS-2C | 1000 FT | 14.88" L2 | 15.75" L2 |
| TS-2D | 1500 FT | 14.88" L2 | 15.75" L2 |
| TS-2E | 1/2 MILE | 15.75" L3 | 15.75" L3 |
| TS-2F | 1 MILE | 13.06" | 13.06" |



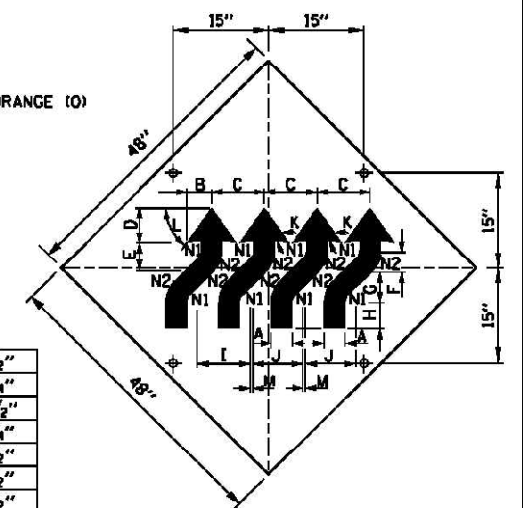
SIGN TS-1CL (O)

COLOR: BACKGROUND - FLUORESCENT ORANGE (O)
 BORDER AND SYMBOL - BLACK
 (NON-REFLECTORIZED)



SIGN TS-1CR (O)

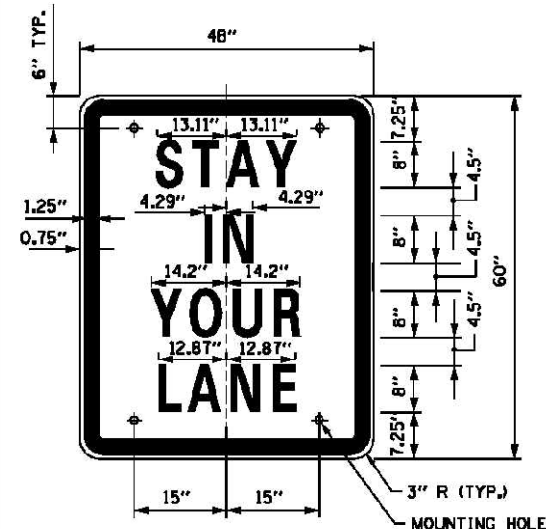
COLOR: BACKGROUND - FLUORESCENT ORANGE (O)
 BORDER AND SYMBOL - BLACK
 (NON-REFLECTORIZED)



SIGN WI-4dR (O)

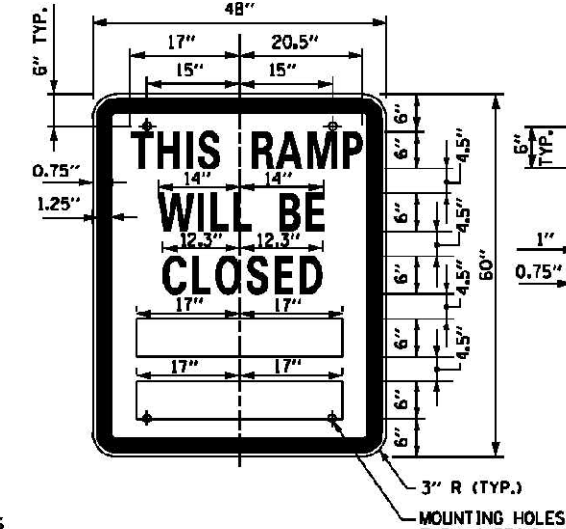
| | |
|----|---------|
| A | 4 1/2" |
| B | 5 3/4" |
| C | 12 1/2" |
| D | 7 3/4" |
| E | 6 1/2" |
| F | 4 1/2" |
| G | 6 1/2" |
| H | 6" |
| I | 12 3/4" |
| J | 12" |
| K | 45° |
| L | 55° |
| M | 0 3/4" |
| N1 | 2" |
| N2 | 6 1/2" |

COLOR: BACKGROUND, FLUORESCENT ORANGE (O)
 TYPE A REFLECTIVE SHEETING PER STANDARD SPECIFICATIONS (*A)
 BORDER AND LETTERS - BLACK
 SIZE: 48"x48"
 MOUNTING HOLES: 7/16" DIA., 4 HOLES SPACED AS SHOWN.



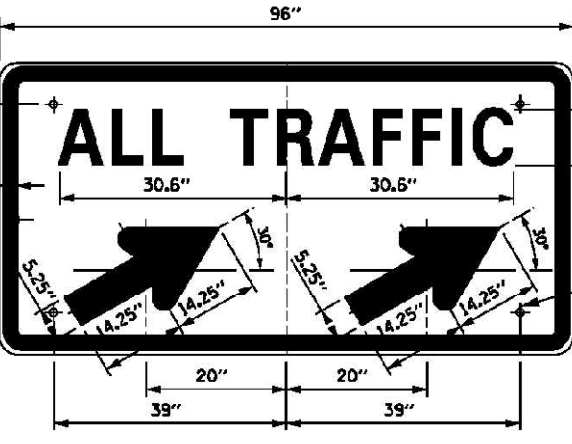
SIGN TS-3

COLOR: BACKGROUND - WHITE (REFLECTORIZED)(*A)
 BORDER AND LETTERS - BLACK
 SIZE: 48"x60"
 LETTERING: LEGEND - 8" FEDERAL SERIES D
 MOUNTING HOLES: 7/16" DIA., 4 HOLES, SPACED AS SHOWN



SIGN TS-4

COLOR: BACKGROUND - WHITE (REFLECTORIZED)(*A)
 BORDER AND LETTERS - BLACK
 SIZE: 48"x60"
 LETTERING: LEGEND - 6" FEDERAL SERIES C
 MOUNTING HOLES: 7/16" DIA., 4 HOLES, SPACED AS SHOWN



SIGN TS-5a & TS-5b

COLOR: BACKGROUND - WHITE (REFLECTORIZED)(*A)
 BORDER AND LETTERS - BLACK
 ARROW - BLACK
 SIZE: 96"x48"
 LETTERING: 10" FEDERAL SERIES D
 MOUNTING HOLES: 7/16" DIA., 4 HOLES, SPACED AS SHOWN
 NOTE: SIGN TS-5a IS SHOWN, SUBSTITUTE LEGEND "A" FOR "B" FOR SIGN TS-5b

MOUNTING HOLES TYP. (4 REQ'D)

NOTES:

- ALL LETTERING IS DESIGNATED BY SIZE AND SERIES IN ACCORDANCE WITH THE LATEST EDITION OF "STANDARD ALPHABETS FOR HIGHWAY SIGNS AND PAVEMENT MARKINGS" AS PUBLISHED BY THE U.S. DEPARTMENT OF TRANSPORTATION. LETTERING SPACING SHALL BE IN ACCORDANCE WITH THIS GUIDE EXCEPT WHERE NOTED.
- SYMBOLS AND ARROWS SHALL CONFORM TO THE DETAILS SHOWN IN THE LATEST EDITION OF "STANDARD HIGHWAY SIGNS" AS PUBLISHED BY THE U.S. DEPARTMENT OF TRANSPORTATION.
- SEE THE CONTRACT REQUIREMENTS FOR ADDITIONAL NOTES AND SPECIFICATIONS.
 (O) FLUORESCENT ORANGE REFLECTIVE SHEETING PER THE STANDARD SPECIFICATIONS.
 (*A) - REFLECTIVE SHEETING PER THE STANDARD SPECIFICATIONS.
- DIMENSIONS INDICATED THUS L ARE BASED ON A REDUCTION IN STANDARD LETTERING SPACING AS SHOWN BELOW:
 L1 SPACING REDUCED BY 25%
 L2 SPACING REDUCED BY 40%
 L3 SPACING REDUCED BY 50%

APPROVED: *Paul Kovacs*
 DATE: 5-1-2009



| DATE | REVISIONS |
|----------|-------------------------------|
| 5-1-2009 | DELETED FLASHING ARROW BOARDS |
| 1-1-2011 | ADDED SIGN COLOR DESIGNATION |

| | |
|---------------------------|--|
| CONSTRUCTION SIGNS | |
| STANDARD E1-02 | |