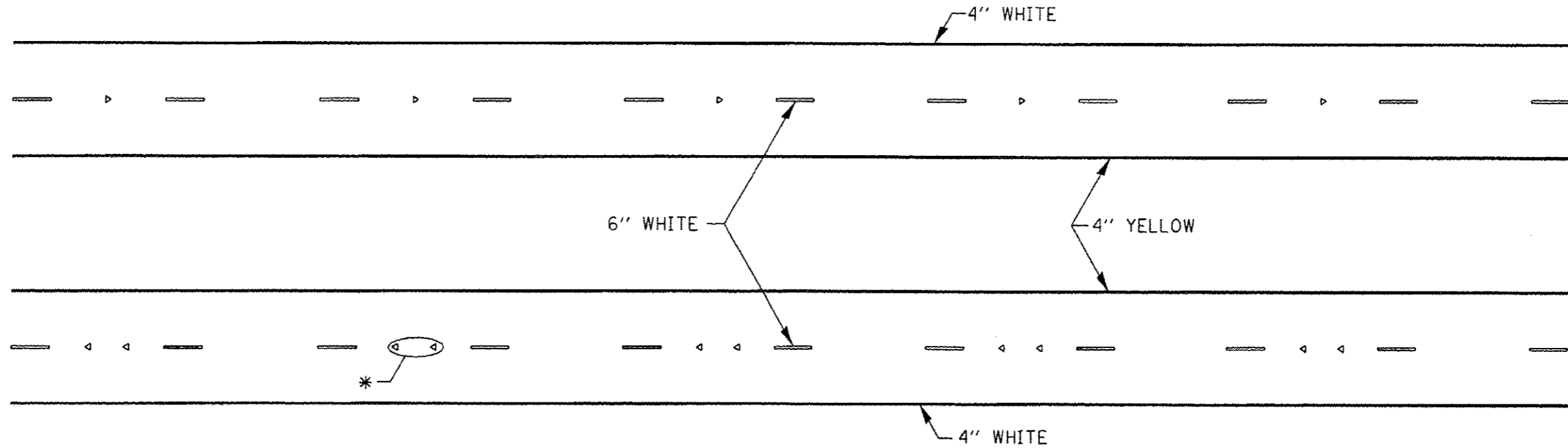
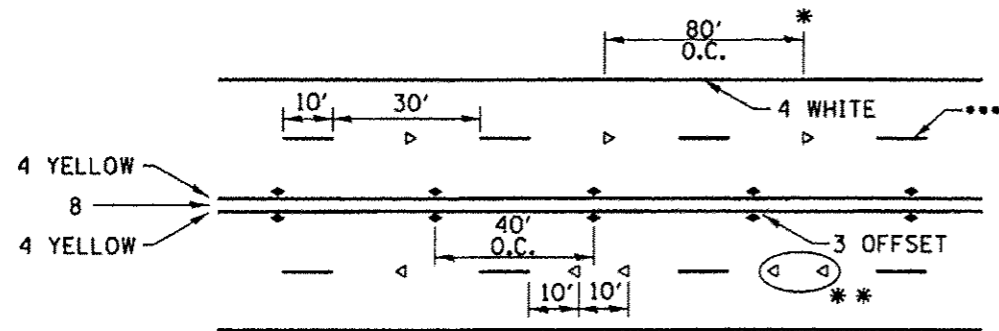


# TYPICAL PAVEMENT MARKINGS



\* SEE HIGHWAY STANDARD 781001 FOR SPACING DETAILS.  
USE DOUBLE MARKERS WHEN ADT  $\geq$  25,000.

## MULTI-LANE / DIVIDED



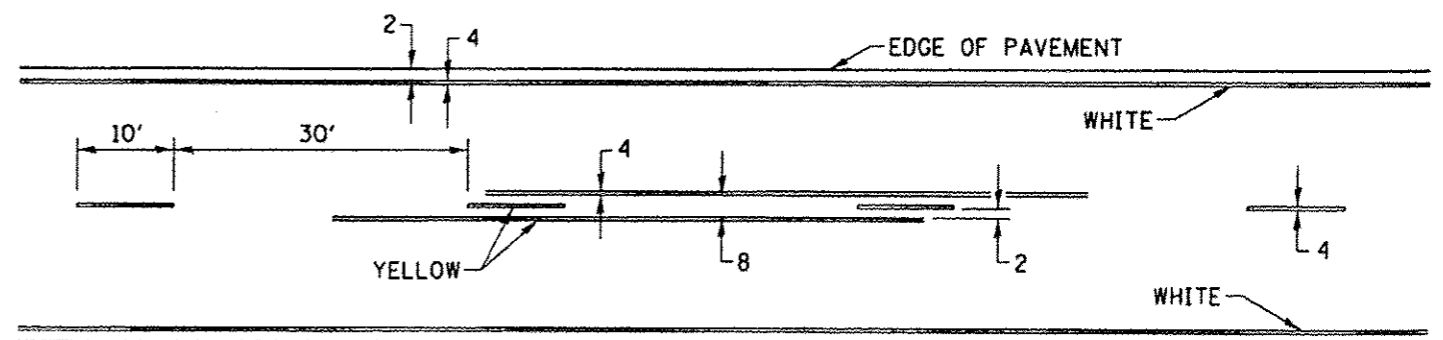
SYMBOLS

- REDUCE TO 40' O.C. ON CURVES WHERE ADVISORY SPEEDS ARE 10 MPH LOWER THAN POSTED SPEEDS.
- USE DOUBLE MARKERS WHEN ADT  $\geq$  25,000
- CENTERLINE SKIP DASH PAVEMENT MARKING SPEED LIMIT LESS THAN 40 MPH USE 4" LINE SPEED LIMIT 40 MPH AND OVER USE 6" LINE

## MULTI-LANE / UNDIVIDED & ONE WAY

(FOR MULTI-LANE UNDIVIDED HIGHWAYS USE THIS  
DETAIL NOT HIGHWAY STANDARD 781001)

## TYPICAL PAVEMENT MARKING FOR TWO LANE SECTION - NO PASSING ZONES



FILE NAME *	USER NAME * bartec	DESIGNED -	REVISED - 3-5-12	<b>STATE OF ILLINOIS DEPARTMENT OF TRANSPORTATION</b>	<b>REGION 2 / DISTRICT 2 STANDARD</b>			F.A. RTE.	SECTION	COUNTY	TOTAL SHEETS	SHEET NO.	
\\CENTRAL\Shared\02\BR\CONSTANTIN\64H98	IL 26 US 38 Painting\64H98.dgn	DRAWN -	REVISED -					SCALE:	SHEET NO.	OF SHEETS	STA.	TO STA.	FED. ROAD DIST. NO.
		CHECKED -	REVISED -		CONTRACT NO. 64H98								
		DATE -	REVISED -		TYPICAL PAVEMENT MARKINGS SHEET 3 OF 3 41.1								