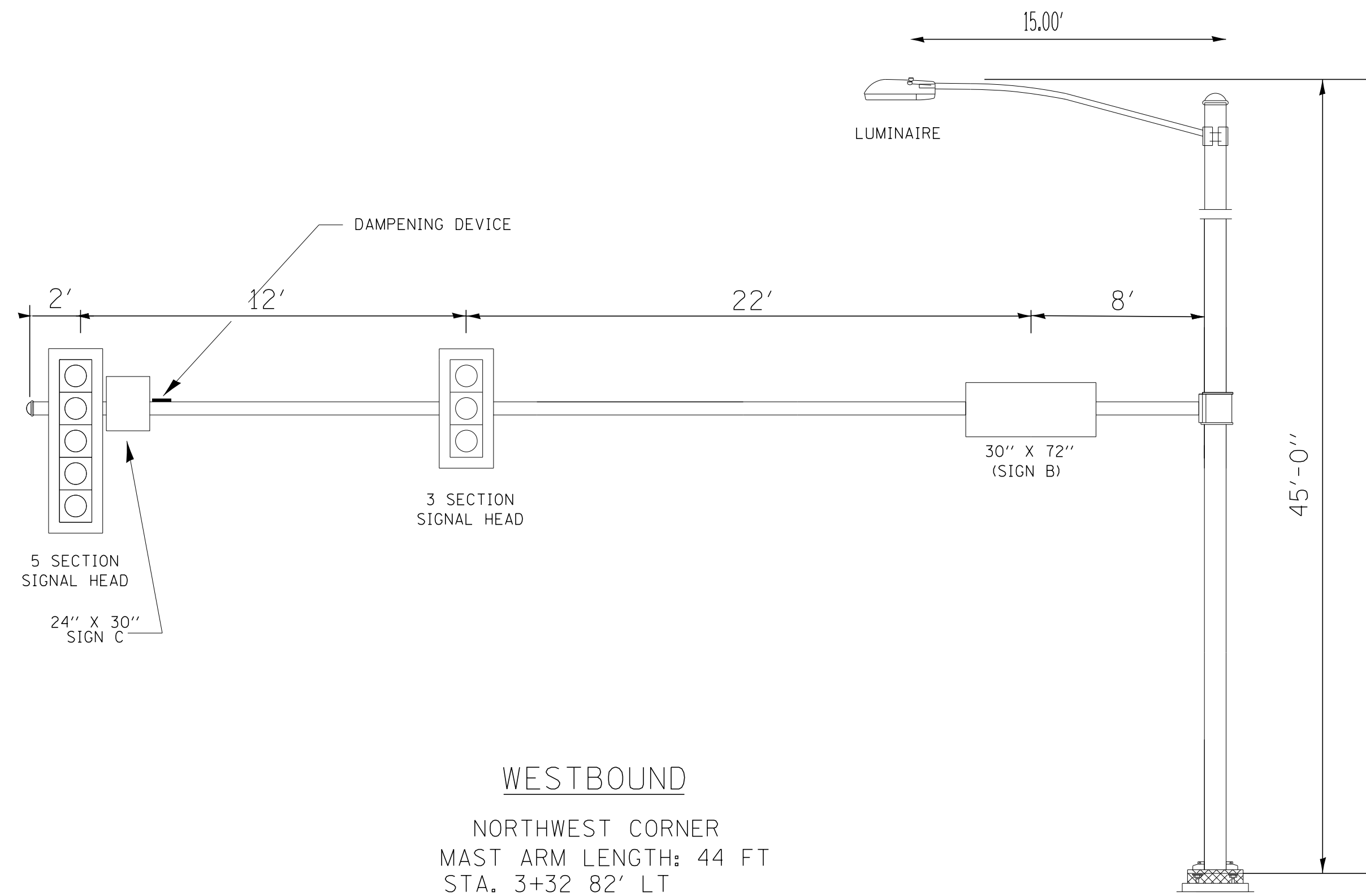
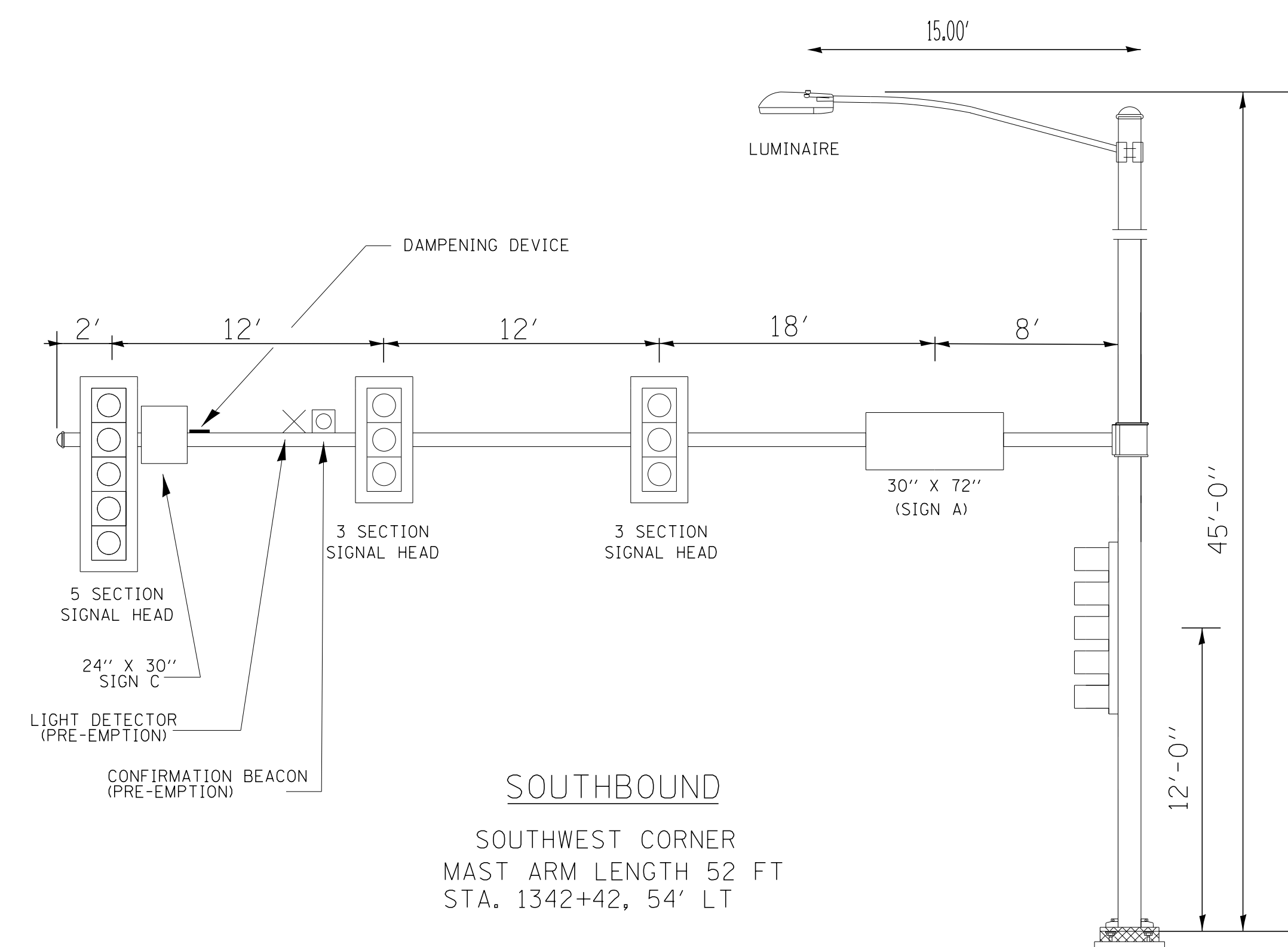


WESTBOUND
NORTHWEST CORNER
STA. 3+55 53' LT



WESTBOUND
NORTHWEST CORNER
MAST ARM LENGTH: 44 FT
STA. 3+32 82' LT



SOUTHBOUND
SOUTHWEST CORNER
MAST ARM LENGTH 52 FT
STA. 1342+42, 54' LT

DRAWING NOT TO SCALE

FILE NAME =	USER NAME = mcfaddenka	DESIGNED -	REVISED -
C:\pwwork\pwwork\mcfaddenka\10304617\10366C32-sht-cover.dgn		DRAWN -	REVISED -
	PLOT SCALE = 50.0000' / 1"	CHECKED -	REVISED -
	PLOT DATE = 8/24/2012	DATE -	REVISED -

STATE OF ILLINOIS
DEPARTMENT OF TRANSPORTATION

FAP 840 (IL 50)
MAST ARM ASSEMBLY DETAILS
SCALE: N.T.S. SHEET NO. OF SHEETS STA. TO STA.

F.A.P. RTE.	SECTION	COUNTY	TOTAL SHEETS	SHEET NO.
840	(140)N, TS-3	KANKAKEE	29	20
CONTRACT NO. 66C32			ILLINOIS FED. AID PROJECT	