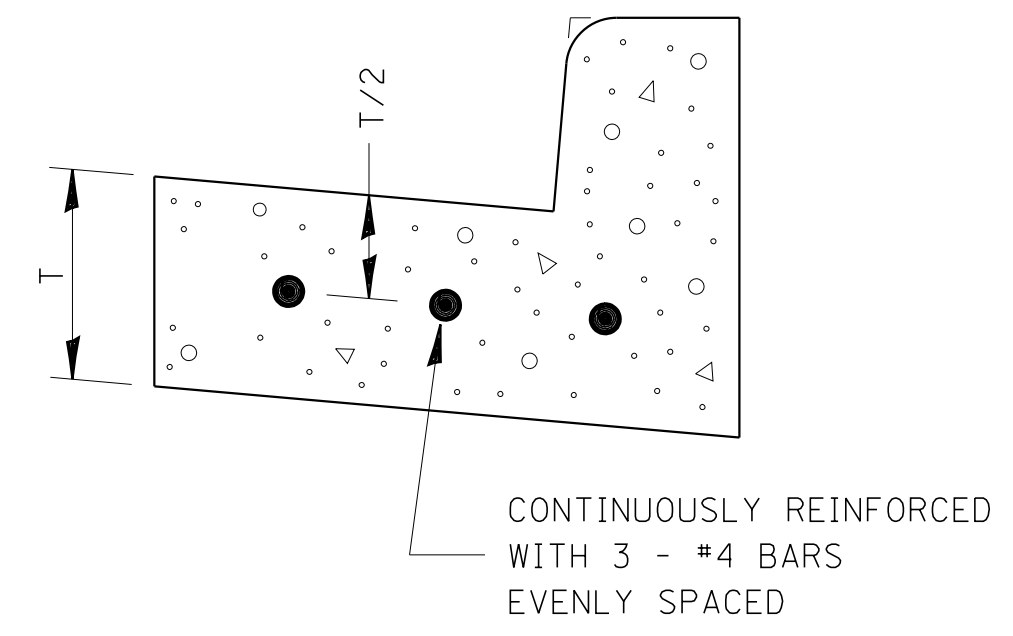


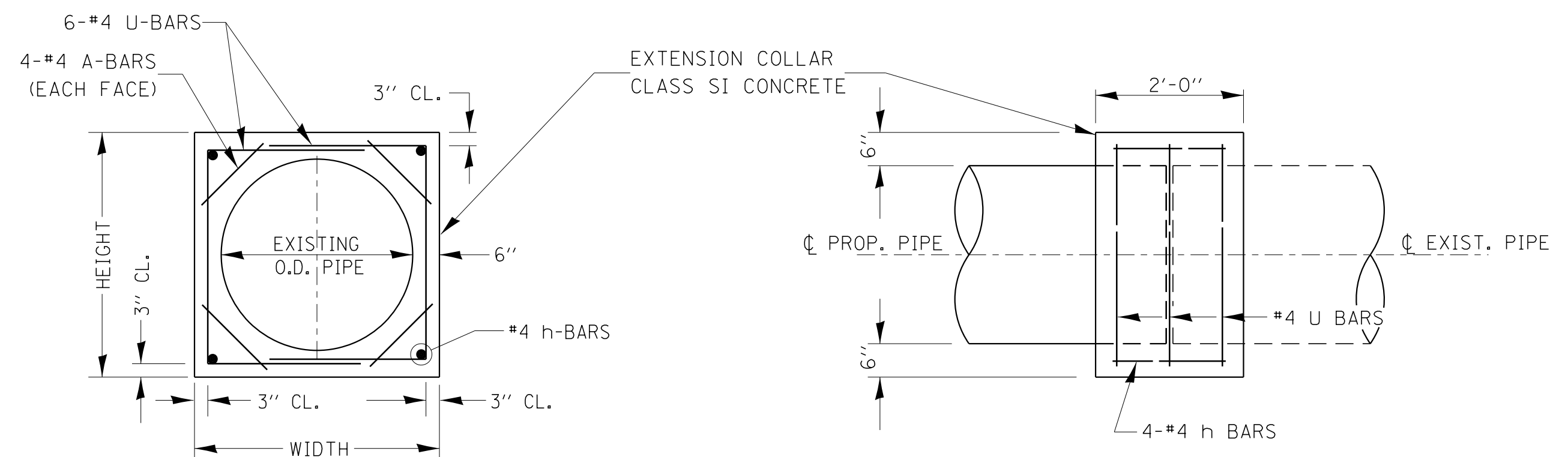
**STORM SEWER DETAIL**

NOTE: MATCH EXISTING INLET AND MANHOLE INVERTS FOR PROP. INLET AND MANHOLE



REINFORCEMENT SHALL NOT BE PAID FOR SEPARATELY BUT WILL BE INCLUDED IN THE CONTRACT UNIT PRICE FOR CC&G.

**REINFORCEMENT DETAIL FOR COMBINATION CONCRETE CURB AND GUTTER TYPE B-6.24**



LOCATION	EXISTING CULVERT SIZE FT. x FT.	EXTENSION COLLAR		A-BAR 12 IN.	U-BAR 'X' IN.	h-BAR 'Y' IN.	CONC. COLLAR CU. YD.	REINFORCEMENT BARS POUND
		WIDTH IN.	HEIGHT IN.					
2406+27 RT		49	49		31.5	42	1.0	45

**COLLAR DETAIL (DIRECT PIPE CULVERT EXTENSION)**