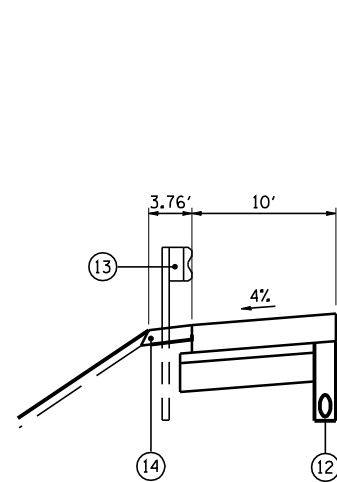


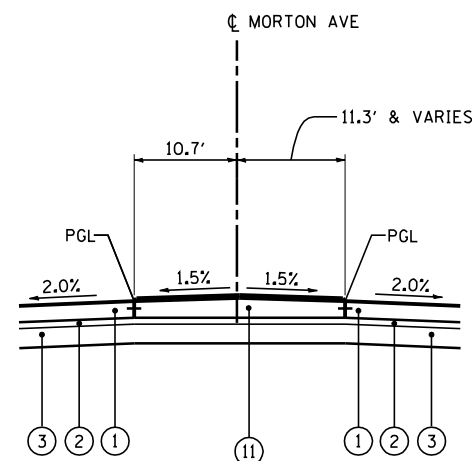
PROPOSED TYPICAL SECTION 24
MORTON AVE

STA 44+09.68 TO STA 46+73.37



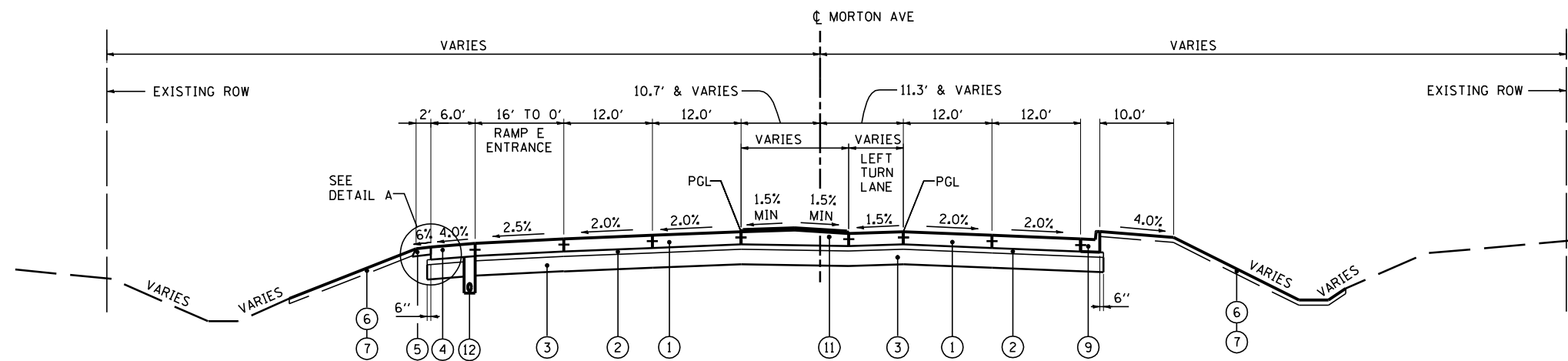
DETAIL A

STA 47+40.88 TO STA 49+08.07



DETAIL C

STA 45+35.25 TO STA 46+73.37



PROPOSED TYPICAL SECTION 25
MORTON AVE

STA 46+73.37 TO STA 49+30.67

PAVEMENT DESIGN MORTON AVE

STRUCTURAL DESIGN TRAFFIC:	Year	2024
PV =	19,132	SU = 853 SU = 811
ROAD CLASSIFICATION	CLASS	I
PERCENT OF STRUCTURAL DESIGN TRAFFIC IN DESIGN LANE:		
P =	32%	S = 45% M = 45%
TRAFFIC FACTOR:	Actual TF =	6.21 AC Type = N/A
	Minimum TF =	10.05
PG GRADE:	Binder =	N/A Surface = N/A
SUBGRADE SUPPORT RATING:		
	SSR =	POOR (Sta. 26+94.00 to 49+30.67)

PROPOSED LEGEND:

- ① PORTLAND CEMENT CONCRETE PAVEMENT 10" (JOINTED)
- ② SUBBASE GRANULAR MATERIAL, TYPE A, 4" (SEE NOTE 2)
- ③ SUBBASE GRANULAR MATERIAL, TYPE A, 12" (SEE NOTE 3)
- ④ PORTLAND CEMENT CONCRETE SHOULDERS 10"
- ⑤ AGGREGATE SHOULDERS, TYPE B 6"
- ⑥ TOPSOIL FURNISH AND PLACE, 4"
- ⑦ SEEDING, CLASS 2A
- ⑧ CONCRETE MEDIAN, TYPE SB-6.24
- ⑨ COMBINATION CONCRETE CURB AND GUTTER, TYPE B-6.24
- ⑩ CONCRETE MEDIAN SURFACE, 4"
- ⑪ CORRUGATED MEDIAN
- ⑫ PIPE UNDERDRAINS 6"
- ⑬ STEEL PLATE BEAM GUARDRAIL, TYPE A, 6 FOOT POSTS
- ⑭ GUARDRAIL AGGREGATE EROSION CONTROL

NOTE

1. SEE CROSS SECTIONS FOR DETAIL GRADING
2. 4" OF AGGREGATE SUBBASE GRANULAR MATERIAL, TYPE A TO FILL HOLES AND IRREGULARITIES IN EXISTING SUBBASE CAUSED BY PAVEMENT REMOVAL
3. EXISTING 12" SUBBASE TO REMAIN. PROPOSED 12" OF SUBBASE GRANULAR MATERIAL, TYPE A AT LOCATIONS WHERE PROPOSED PAVEMENT WILL BE PLACED ON EXISTING EMBANKMENT THAT CURRENTLY DOES NOT HAVE AGGREGATE SUBBASE

FILE NAME =	DESIGNED - I S	REVISED -		STATE OF ILLINOIS DEPARTMENT OF TRANSPORTATION	PROPOSED TYPICAL SECTIONS MORTON AVE		F.A.I. RTE.	SECTION	COUNTY	TOTAL SHEETS	SHEET NO.
...D468620-shd.Pr.Typ.Morton.03.dgn	DRAWN - TMB	REVISED -					90-114R(14HB-4,14,14HVB)BR	TAZEWELL	2433	62	
USER NAME = jreambillo	CHECKED - JNR	REVISED -			CONTRACT NO. 68620						
PLOT DATE = 7/26/2012	DATE - JULY 20, 2012	REVISED -			SCALE: NTS	SHEET NO. 3 OF 3 SHEETS	STA. TO STA.	ILLINOIS FED. AID PROJECT			