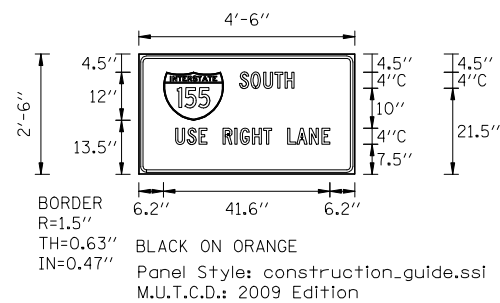
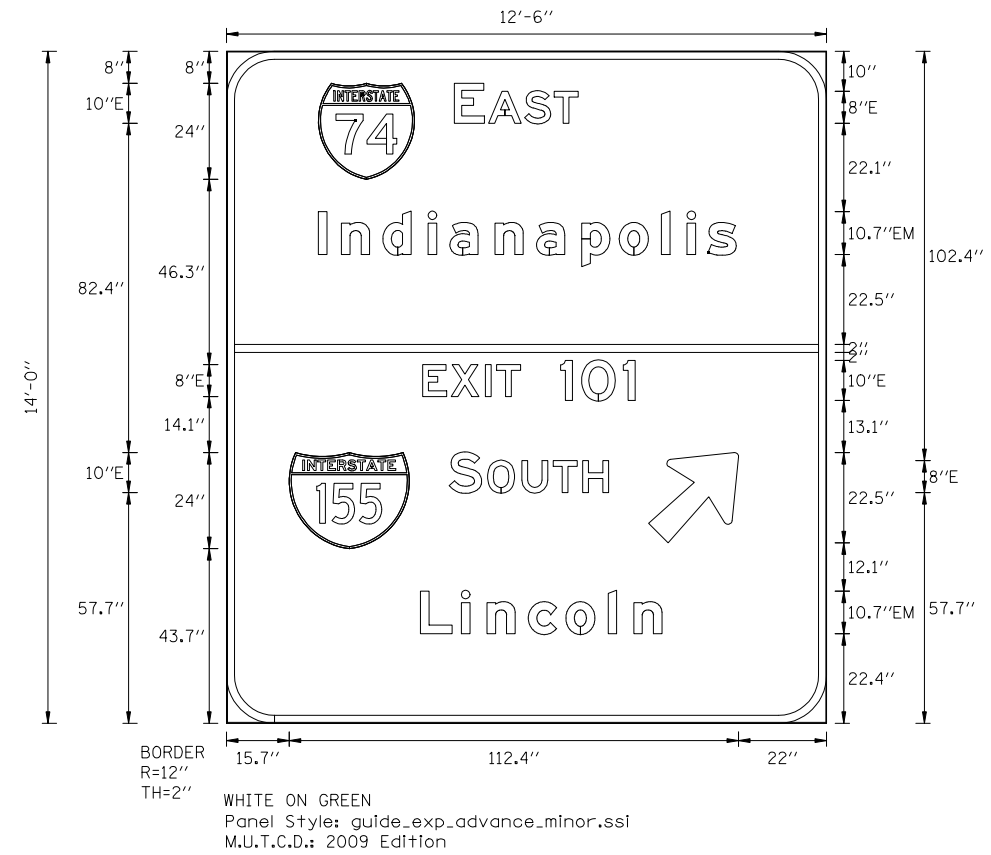


SIGN 4T.01



SIGN 4T.02



SIGN 6T.01

FILE NAME =	DESIGNED - HTL	REVISED -
D468620-shr-sign09-gndgn	DRAWN - HTL	REVISED -
USER NAME = TERRA	CHECKED - DA/LVA	REVISED -
PLOT DATE = 7/16/2012	DATE - 7/20/2012	REVISED -



STATE OF ILLINOIS
DEPARTMENT OF TRANSPORTATION

MAINTENANCE OF TRAFFIC
SIGN DETAILS

SCALE: SHEET NO. 7 OF 14 SHEETS STA. TO STA.

F.A.I. RTE.	SECTION	COUNTY	TOTAL SHEETS	SHEET NO.
• 90-[14R(14HB-4,14,14HB)BR]		TAZEWELL	2433	266
CONTRACT NO. 68620			ILLINOIS FED. AID PROJECT	