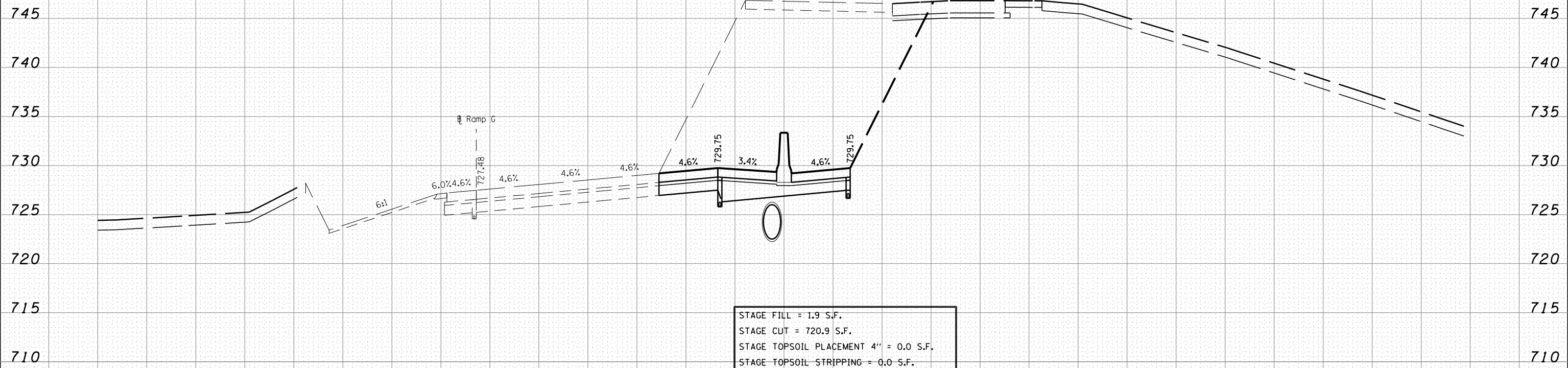


140 130 120 110 100 90 80 70 60 50 40 30 20 10 0 10 20 30 40 50 60 70 80 90 100 110 120 130 140



STAGE FILL = 1.9 S.F.  
 STAGE CUT = 720.9 S.F.  
 STAGE TOPSOIL PLACEMENT 4" = 0.0 S.F.  
 STAGE TOPSOIL STRIPPING = 0.0 S.F.

538 + 00.00

MODEL NAME: XS-SHEET - temporary\_model\_name\_12  
 DESIGN FILE: \\10000510005\Engineering\Documents\Phase II\MOI\0468620-XSECT-I-74-WMATCHES-Stage10.dgn

FILE NAME =	DESIGNED -	REVISED -
...\\10000510005\Engineering\Documents\Phase II\MOI\0468620-XSECT-I-74-WMATCHES-Stage10.dgn	DRAWN -	REVISED -
USER NAME = tblank	CHECKED -	REVISED -
PLOT DATE = 7/20/2012	DATE - JULY 20, 2012	REVISED -



STATE OF ILLINOIS  
 DEPARTMENT OF TRANSPORTATION

MAINTENANCE OF TRAFFIC - STAGE 10  
 CROSS SECTIONS - I-74  
 SCALE: H 1"=10', V 1"=5' SHEET NO. 12 OF 25 SHEETS STA. 538+00.00 TO STA. 538+00.00

F.A.I. RTE.	SECTION	COUNTY	TOTAL SHEETS	SHEET NO.
90-[14R(14HB-4,14,14HVB)BR]		TAZEWELL	2433	1006
CONTRACT NO. 68620			ILLINOIS FED. AID PROJECT	