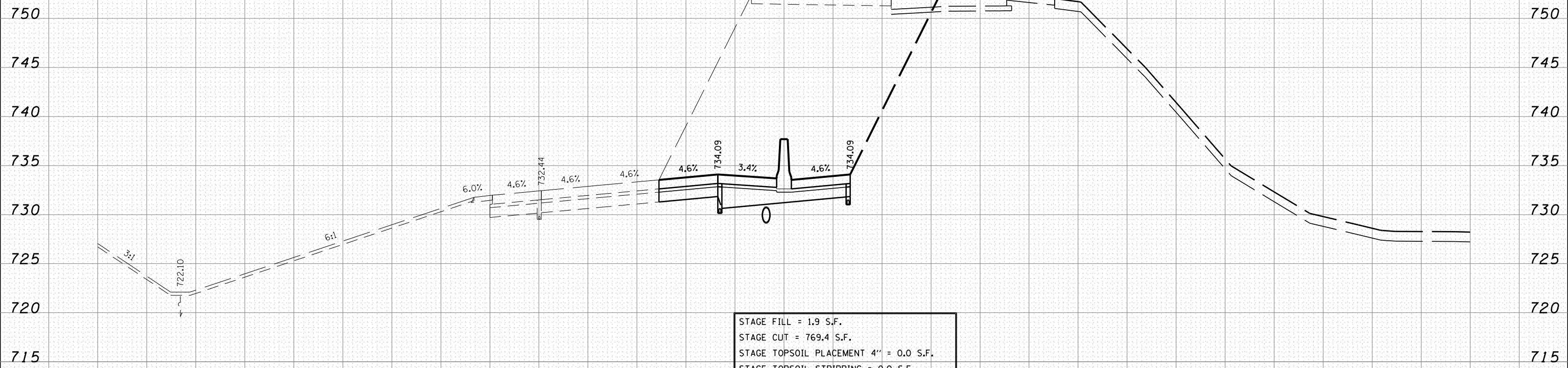


140 130 120 110 100 90 80 70 60 50 40 30 20 10 0 10 20 30 40 50 60 70 80 90 100 110 120 130 140



STAGE FILL = 1.9 S.F.  
 STAGE CUT = 769.4 S.F.  
 STAGE TOPSOIL PLACEMENT 4" = 0.0 S.F.  
 STAGE TOPSOIL STRIPPING = 0.0 S.F.

543 + 00.00

MODEL: \\NAME:XS-SHEET...temporaru\_model\_name\_16  
 DESIGN: \\FILE: \\X:\100005\10055\Engineering\Documents\Phase II\MOI\0468620-XSECT-I-74-WMATCHES-Stage10.dgn

FILE NAME =	DESIGNED -	REVISED -
...\\D468620-XSECT-I-74-WMATCHES-Stage10.dgn	DRAWN -	REVISED -
USER NAME = tblank	CHECKED -	REVISED -
PLOT DATE = 7/20/2012	DATE - JULY 20, 2012	REVISED -



STATE OF ILLINOIS  
 DEPARTMENT OF TRANSPORTATION

MAINTENANCE OF TRAFFIC - STAGE 10  
 CROSS SECTIONS - I-74  
 SCALE: H 1"=10', V 1"=5' SHEET NO. 16 OF 25 SHEETS STA. 543+00.00 TO STA. 543+00.00

F.A.I. RTE.	SECTION	COUNTY	TOTAL SHEETS	SHEET NO.
90-[14Rz(14HB-4,14,14HVB)BR]	TAZEWELL	2433	1010	
CONTRACT NO. 68620			ILLINOIS FED. AID PROJECT	