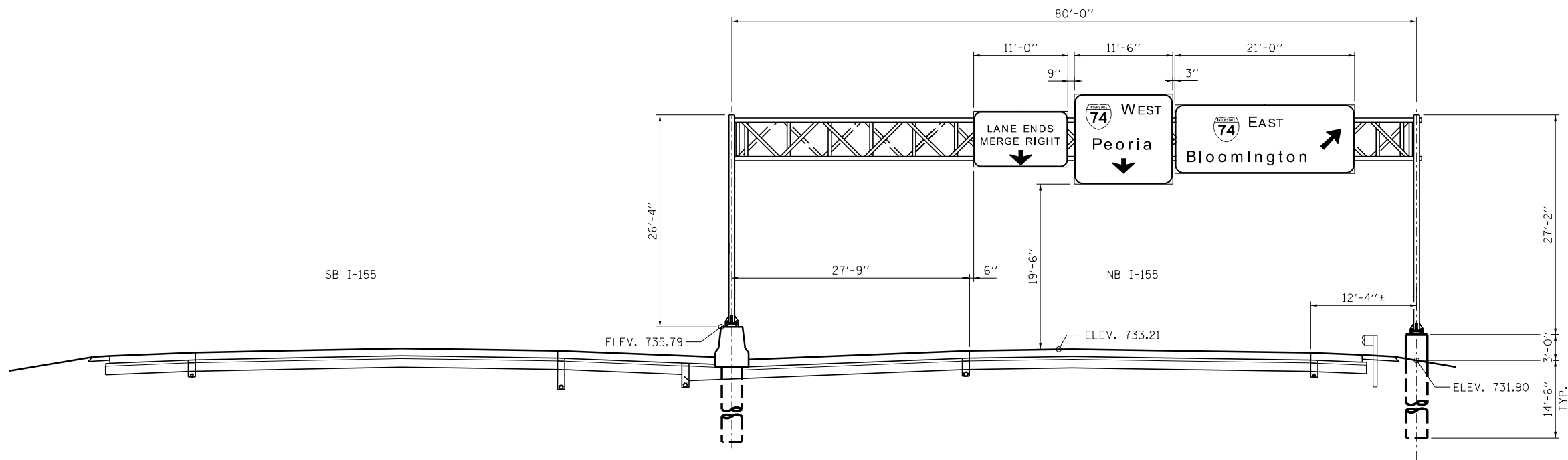


**PROPOSED SIGN TRUSS**  
**EB I-74 STA 515 + 50.00**  
**STR 4S090I074R100.6**  
**(LOOKING EAST)**



**PROPOSED SIGN TRUSS**  
**NB I-155 STA 17 + 68.62**  
**STR 4S090I155R031.9**  
**(LOOKING NORTH)**

**benesch**  
 engineers · scientists · planners  
 Alfred Benesch & Company  
 205 North Michigan Avenue, Suite 2400  
 Chicago, Illinois 60601  
 312-565-0450 Job No. 10056

FILE NAME =  
 xxxxxx\_68620\_30.sp3.dgn

USER NAME = mbecker  
 PLOT SCALE =  
 PLOT DATE = 7/16/2012

DESIGNED - MFB	REVISED -
CHECKED - KJN	REVISED -
DRAWN - MFB	REVISED -
CHECKED - KJN	REVISED -

**STATE OF ILLINOIS**  
**DEPARTMENT OF TRANSPORTATION**

**SIGN PANEL PLACEMENT**  
**OVERHEAD SIGN STRUCTURES**

SHEET NO. SS30 OF SS32 SHEETS

F.A.I. RTE.	SECTION	COUNTY	TOTAL SHEETS	SHEET NO.
74	90-[14R;14HB-4;14,14HVB]BR	TAZEWELL	2433	1650
CONTRACT NO. 68620				
ILLINOIS FED. AID PROJECT				