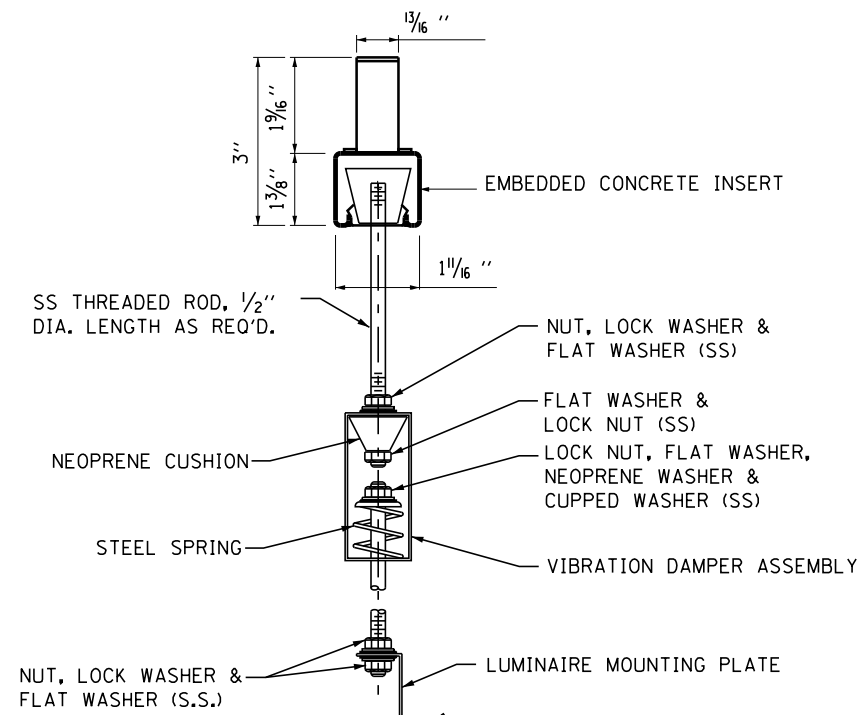
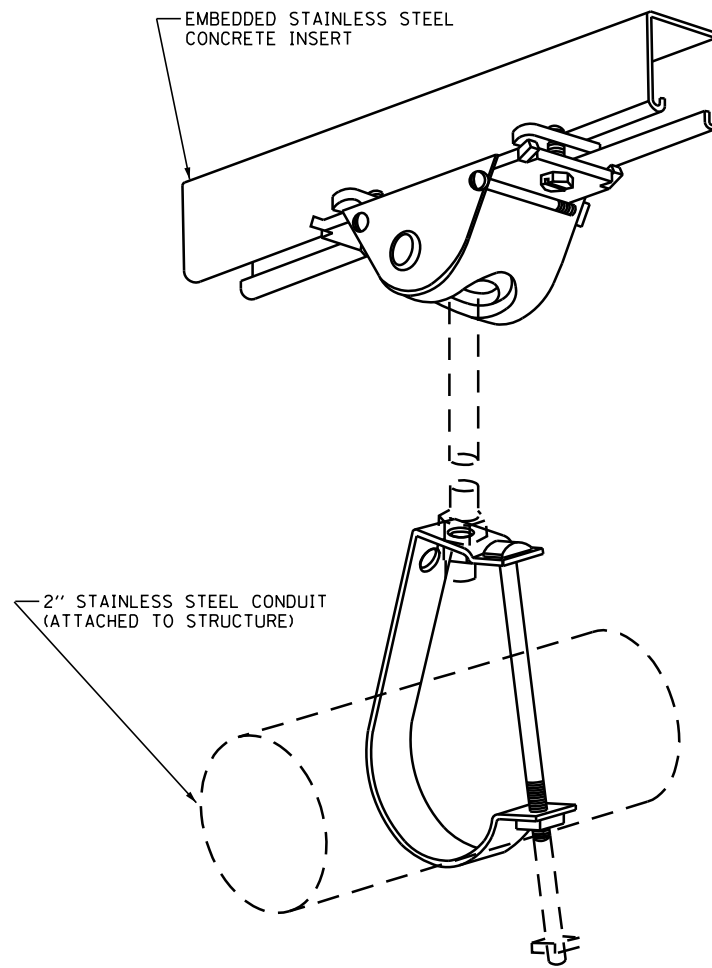
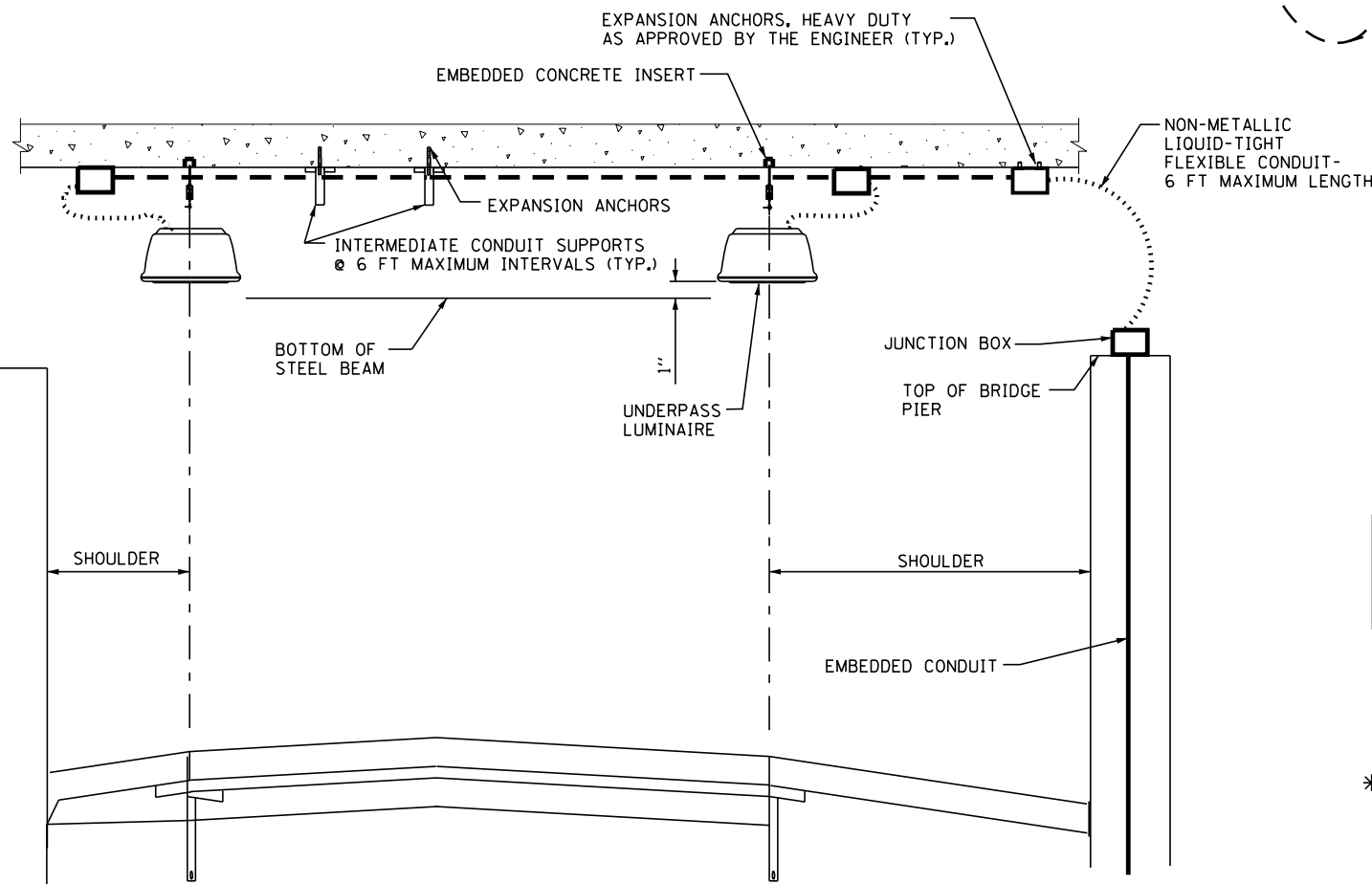


**LUMINAIRE SUPPORT**

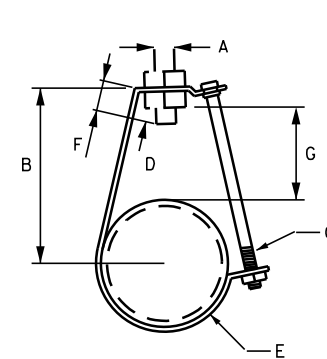


**LUMINAIRE HANGER ASSEMBLY**  
N.T.S.

\* THE COST OF THE LUMINAIRE HANGER ASSEMBLY SHALL BE INCLUDED IN THE PAY ITEM FOR UNDERPASS LUMINAIRE, (INSTALL ONLY). OTHER VIBRATION DAMPER ASSEMBLIES MAY BE USED IF APPROVED BY THE ENGINEER.



**UNDERPASS LIGHTING DETAIL - SECTION VIEW (TYP.)**



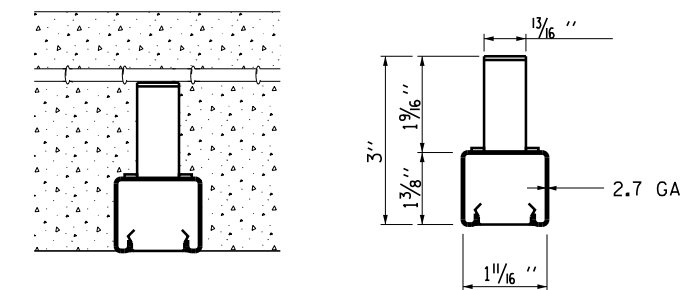
MEASUREMENTS (mm)

A	B	C	D	E	F	G
9.5	57.2	6.4x 69.9	10.3	3.2x 19.1	14.3	25.4

**CONDUIT SUPPORT**

N.T.S.

\* THE COST OF THE CONDUIT SUPPORT SHALL BE INCLUDED IN THE PAY ITEM FOR THE CONDUIT ATTACHED TO STRUCTURE.



**DETAIL 1 - 8" CONCRETE INSERT**  
N.T.S.

\* THE CONCRETE INSERT SHALL BE ORIENTED WITH THE LONG DIMENSION PARALLEL TO TRAFFIC FLOW. THE COST OF CONCRETE INSERT SHALL BE INCLUDED IN THE PAY ITEM FOR THE EMBEDDED CONDUIT.

FILE NAME =	DESIGNED - BENESCH	REVISED -
...ND468620-sh1-Lighting_Details-Underdeck02	DRAWN - NLH	REVISED -
USER NAME = tblank	CHECKED - GHT	REVISED -
PLOT DATE = 9/5/2012	DATE - JULY 20, 2012	REVISED -



STATE OF ILLINOIS  
DEPARTMENT OF TRANSPORTATION

LIGHTING DETAILS  
UNDERDECK LIGHTING

SCALE: SHEET NO.108 OF 138 SHEETS STA. TO STA.

F.A.I. RTE.	SECTION	COUNTY	TOTAL SHEETS	SHEET NO.
90-[14R(14HB-4,14,14HVB)BR]		TAZEWELL	2433	1823
			CONTRACT NO. 68620	
ILLINOIS FED. AID PROJECT				