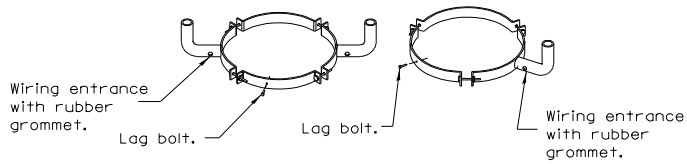
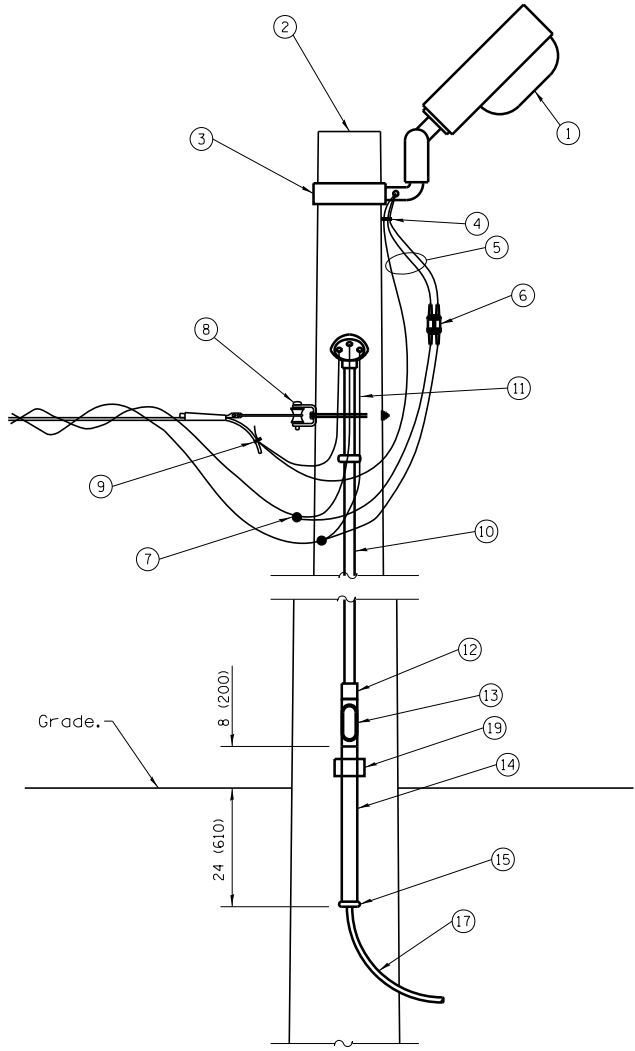


FACING VIEW **SIDE VIEW**
LUMINAIRE MOUNTING DETAILS
 50' (12.8 m) mounting height.

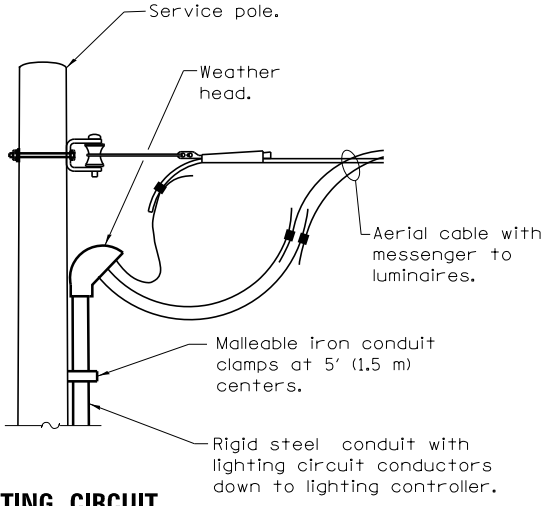


TWIN **SINGLE**
MOUNTING BRACKET DETAILS



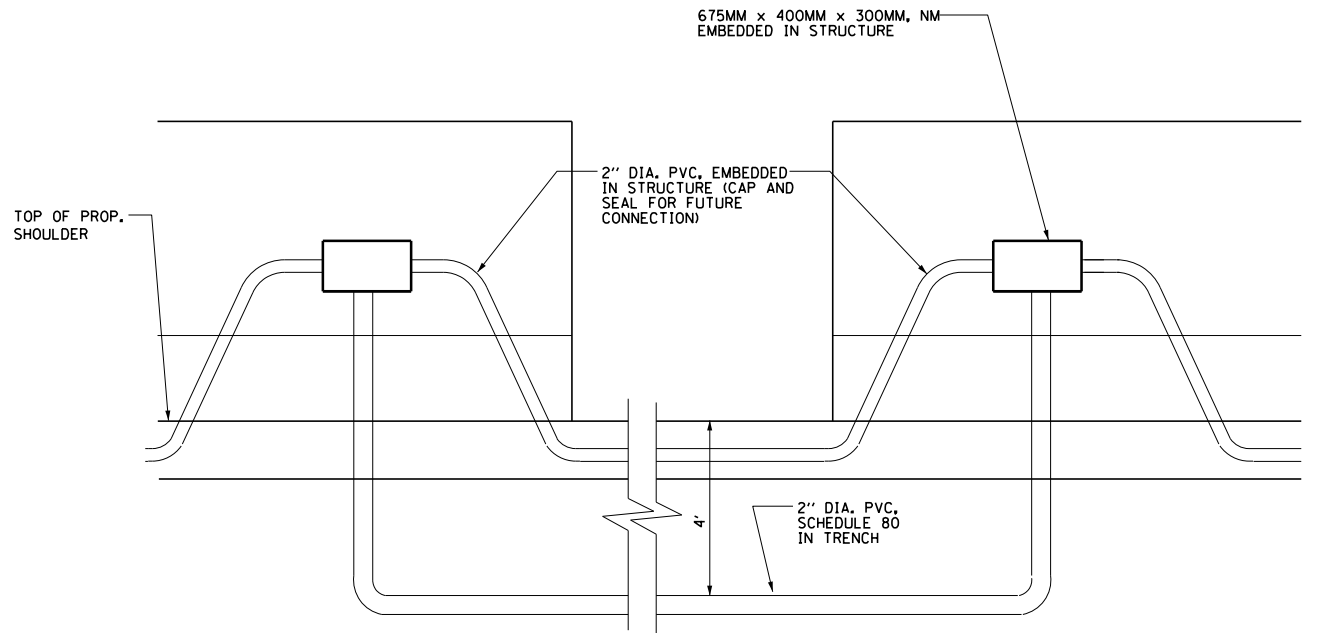
LIGHT POLE WITH CIRCUIT ROUTED UNDERGROUND

- ① Luminaire.
- ② Wood light pole.
- ③ Luminaire mounting bracket.
- ④ Cable clamps on 24 (600) centers.
- ⑤ Three #10 XLP-USE cable.
- ⑥ Waterproof, two-pole fuse holder with fuses.
- ⑦ Waterproof insulation piercing tap connector.
- ⑧ Heavy duty insulated pulley clevis with mounting bolt and hardware.
- ⑨ Ground clamp.
- ⑩ 1 (25) rigid steel conduit.
- ⑪ Malleable iron conduit clamps, 5' (1.5 m) intervals.
- ⑫ Threaded conduit reducer.
- ⑬ "C" conduit, threaded.
- ⑭ 1/2 (40) rigid steel conduit.
- ⑮ Conduit bushing.
- ⑯ #6 Bare copper ground wire to 10 ft. ground rod, every third light pole.
- ⑰ Unit duct.
- Size larger as needed.
- ⑱ Wire tie
- ⑲ Malleable iron conduit clamp below "C" conduit



LIGHTING CIRCUIT AT SERVICE/CONTROLLER
 See standard 825001 for service installation.

GENERAL NOTES
 See plans for wire and unitduct sizes not shown.
 Provide guy wires with strain insulators and anchors, as needed.
 All dimensions are in inches (millimeters) unless otherwise shown.



JUNCTION BOX EMBEDDED IN BARRIER WALL - DETAIL D

FILE NAME =	DESIGNED -	REVISED -
...D468620-sh1-Lighting_Details-02.dgn	DRAWN -	REVISED -
USER NAME = tblank	CHECKED -	REVISED -
PLOT DATE = 9/5/2012	DATE - JULY 20, 2012	REVISED -



STATE OF ILLINOIS DEPARTMENT OF TRANSPORTATION

LIGHTING DETAILS MISCELLANEOUS DETAILS	
SCALE:	SHEET NO. 113 OF 138 SHEETS STA. TO STA.

F.A.I. RTE.	SECTION	COUNTY	TOTAL SHEETS	SHEET NO.
• 90-[14R(14HB-4,14,14HVB)BR]		TAZEWELL	2433	1828
ILLINOIS FED. AID PROJECT			CONTRACT NO. 68620	