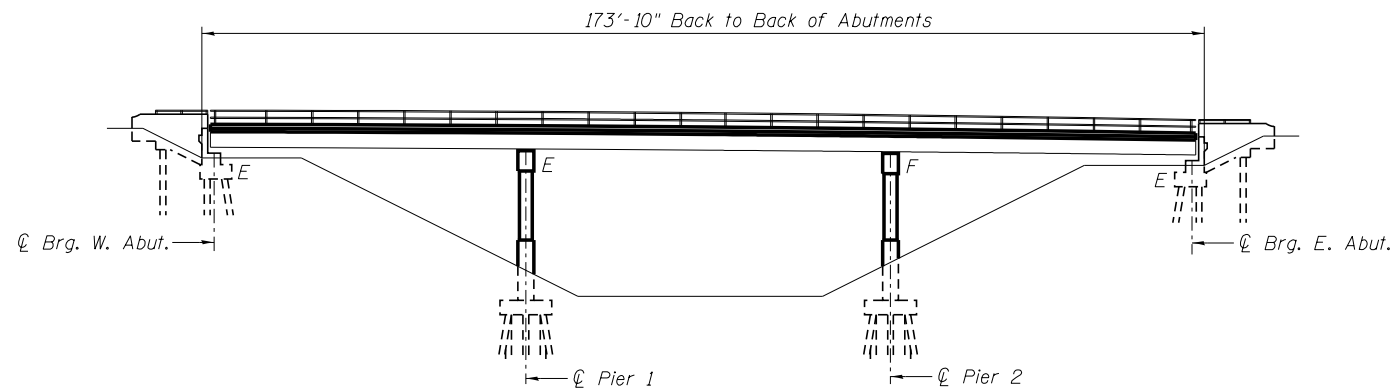


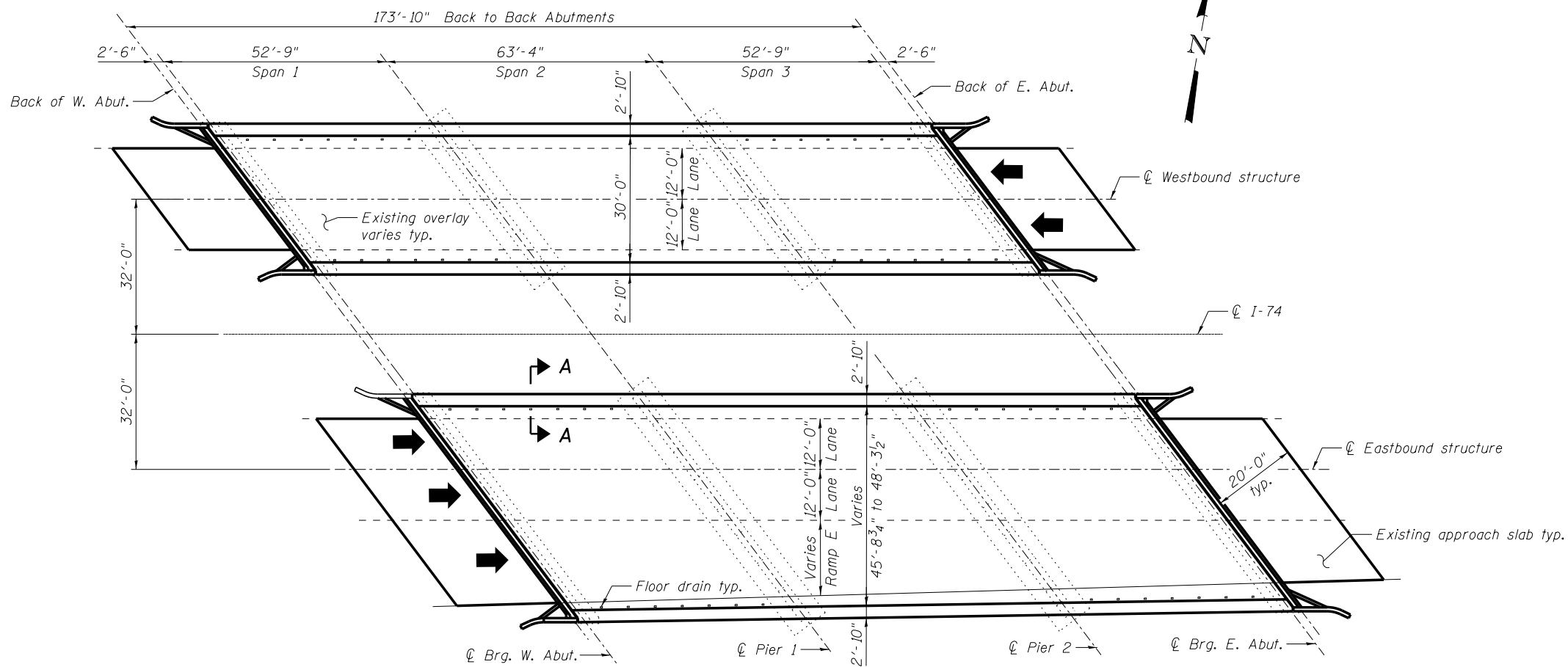
Bench Mark: Chiseled "□" on S.W. parapet of EB lane I-74 bridge (S.N. 090-0015), just E. of I-155, Elevation 757.24.

Existing Structures: S.N. 090-0014 (WB) and S.N. 090-0015 (EB) were originally built in 1961. Structure consists of dual 3-span continuous steel WF superstructures, skewed 36°59'00". Abutments are reinforced concrete stub abutments supported by concrete piles. The reinforced concrete multi-column piers are supported by creosoted timber piles. The existing total bridge lengths are 173'-10" back to back of abutments. The superstructure width is 35'-8" (WB) and varies from 51'-4<sup>3</sup>/<sub>4</sub>" to 53'-11<sup>1</sup>/<sub>2</sub>" (EB). The contractor shall overlay the existing bridge decks. Stage construction shall be utilized to maintain traffic with one lane in each direction during construction. Ramp E shall remain open during overlay.

No salvage.



**ELEVATION**



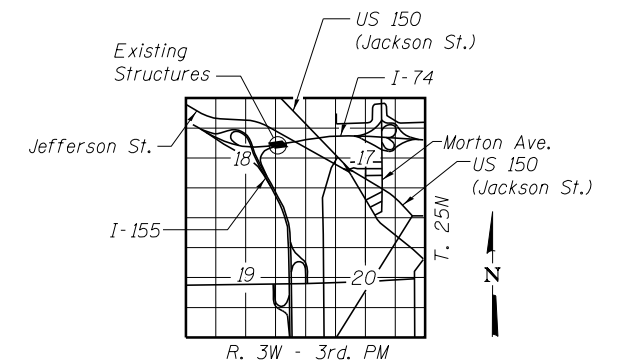
**PLAN**

**INDEX OF SHEETS**

- SF1 General Plan and Elevation
- SF2 Bridge Deck and Approach Slab Repairs

**SCOPE OF WORK**

1. Power brush bridge deck surface
2. Clean bridge deck drains
3. Place new 1<sup>1</sup>/<sub>2</sub>" overlay



**LOCATION SKETCH**

**GENERAL PLAN AND ELEVATION  
I-74 OVER ABANDONED RAILROAD  
F.A.I. RTE. 74**

**SEC. 90-[14R;(14HB-4,14,14HVB)BR]**

**TAZEWELL COUNTY**

**STATION 550+24.84**

**EXISTING STRUCTURE NO. 090-0014 (WB)**

**EXISTING STRUCTURE NO. 090-0015 (EB)**

**benesch**  
engineers · scientists · planners  
Alfred Benesch & Company  
205 North Michigan Avenue, Suite 2400  
Chicago, Illinois 60601  
312-565-0450 Job No. 10056

FILE NAME = 0900014\_68620\_01.gpe.dgn  
PLOT SCALE =  
PLOT DATE = 7/16/2012

USER NAME = mbecker  
DESIGNED - DMS  
CHECKED - MRB  
DRAWN - PRT  
CHECKED - MRB

REVISIED -  
REVISIED -  
REVISIED -  
REVISIED -

**STATE OF ILLINOIS  
DEPARTMENT OF TRANSPORTATION**

**GENERAL PLAN AND ELEVATION  
EXISTING STRUCTURE NO. 090-0014 / 0015**

SHEET NO. SF1 OF SF2 SHEETS

F.A.I. RTE.	SECTION	COUNTY	TOTAL SHEETS	SHEET NO.
74	90-[14R;(14HB-4,14,14HVB)BR]	TAZEWELL	2433	1861
CONTRACT NO. 68620				

ILLINOIS FED. AID PROJECT

x:\10000s\10056\engineer\ing-documents\phase-1\174overRR\Final\0900014\_68620\_01.gpe.dgn 8:13:03 AM 7/16/2012