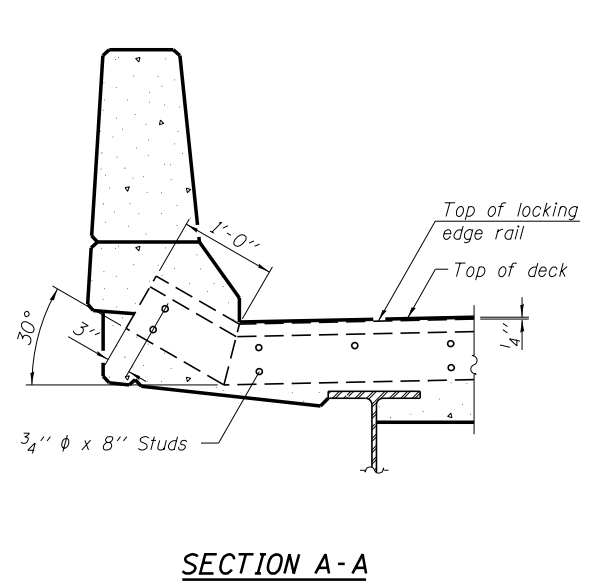
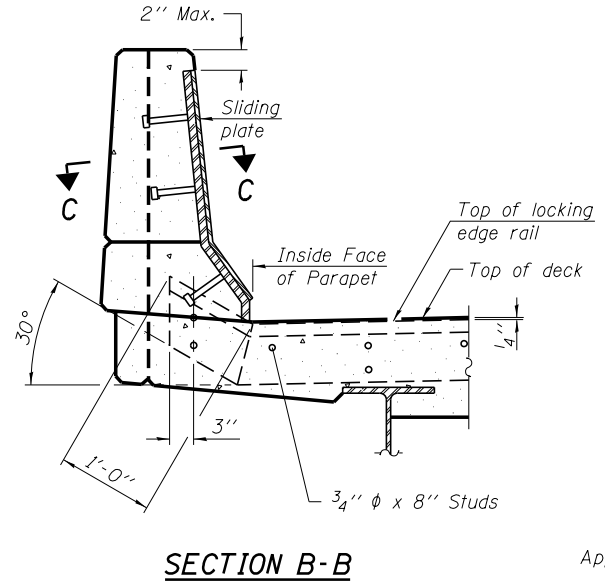


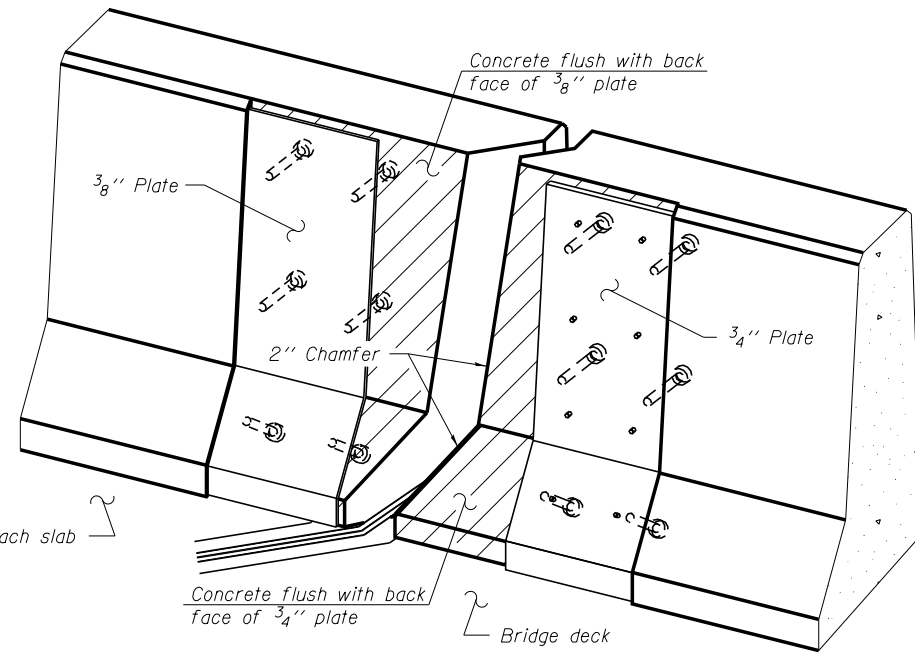
TYPICAL END TREATMENT AT SIDEWALK OR MEDIAN
 Shorter plates with a single row of studs at 12 inch cts. may be necessary on medians which are shallower than 9 inch. See manufacturer's recommendation.



SECTION A-A

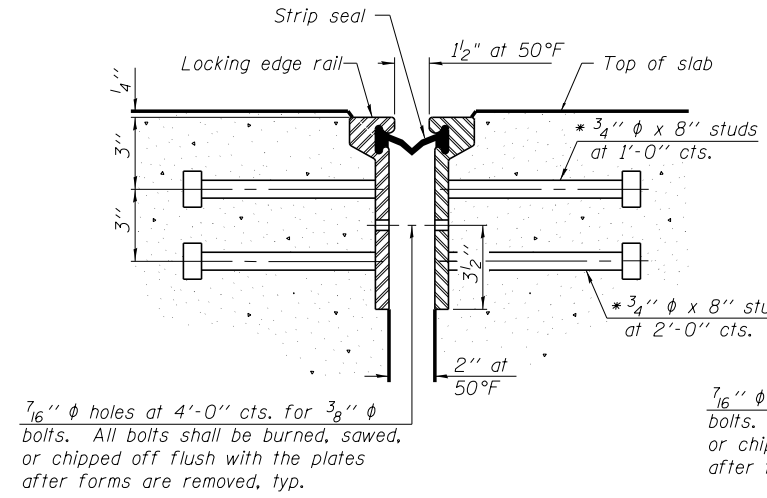


SECTION B-B

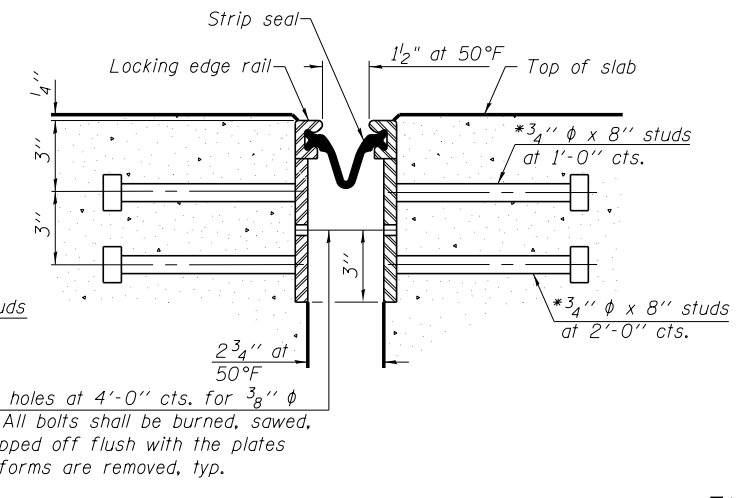


TRIMETRIC VIEW (Showing back plates only)

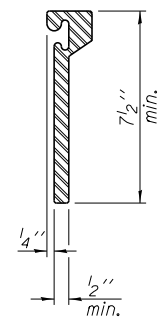
Notes:
 The strip seal shall be made continuous and shall have a minimum thickness of 1/4 inch. The configuration of the strip seal shall match the configuration of the Locking Edge Rails. Open or "webbed" strip seal gland configurations are not permitted. The gland shall be sized for a maximum rated movement of 4 inches.
 The Locking Edge Rails depicted are conceptual only, except for the minimum dimensions shown. The actual configuration of the Locking Edge Rails and matching strip seal may vary from manufacturer to manufacturer. Flanged edge rails will not be allowed. Locking Edge Rails may be spliced at slope discontinuities.
 The manufacturer's recommended installation methods shall be followed.
 The joint opening and deck dimensions detailed on the superstructure are based on a rolled rail expansion joint. If the Contractor elects to use the welded rail expansion joint, the opening and deck dimensions shall be modified according to the dimensions detailed on this sheet. Required modifications shall be made at no additional cost to the State.
 All steel components shall be galvanized after fabrication according to Article 520.03 of the Standard Specifications.
 Maximum space between rail segments shall be 3/16 inch, sealed with a suitable sealant. Joints in rails within 10 feet of curbs shall be welded.
 Parapet plates and anchorage studs for skews > 30 degrees included in the cost of Preformed Joint Strip Seal.



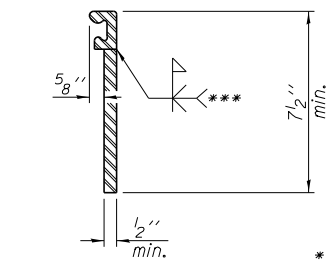
SECTION THRU ROLLED RAIL JOINT



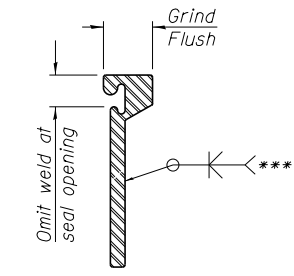
SECTION THRU WELDED RAIL JOINT



ROLLED EXTRUDED RAIL



WELDED RAIL



LOCKING EDGE RAIL SPLICE

*** Back gouge not required if complete joint penetration is verified by mock-up.

The inside of the locking edge rail groove shall be free of weld residue.
 Rolled rail shown, welded rail similar.

LOCKING EDGE RAILS

BILL OF MATERIAL

Item	Unit	Total
Preformed Joint Strip Seal	Foot	378.5



EJ-SSJ
 1-27-12
 Alfred Benesch & Company
 205 North Michigan Avenue, Suite 2400
 Chicago, Illinois 60601
 312-565-0450 Job No. 10056

* Granular or solid flux filled headed studs conforming to Article 1006.32 of the Std. Specs., automatically end welded.

FILE NAME = 0900167.68620.22.exjt.dgn	USER NAME = mbecker	DESIGNED - MFB	REVISED -
		CHECKED - MRB	REVISED -
		DRAWN - PRT	REVISED -
		CHECKED - MRB	REVISED -

STATE OF ILLINOIS
 DEPARTMENT OF TRANSPORTATION

EXPANSION JOINT DETAILS
 STRUCTURE NO. 090-0167
 SHEET NO. SB22 OF SB65 SHEETS

F.A.I. RTE.	SECTION	COUNTY	TOTAL SHEETS	SHEET NO.
74	90-[14R(14HB-4,14,14HB)BR]	TAZEWELL	2433	1933
			CONTRACT NO. 68620	
ILLINOIS FED. AID PROJECT				

x:\10000s\10056\engineer-ing-documents-phase-1\174over-Jefferson\Final\0900167.68620.22.exjt.dgn 11:08:32 AM 7/16/2012