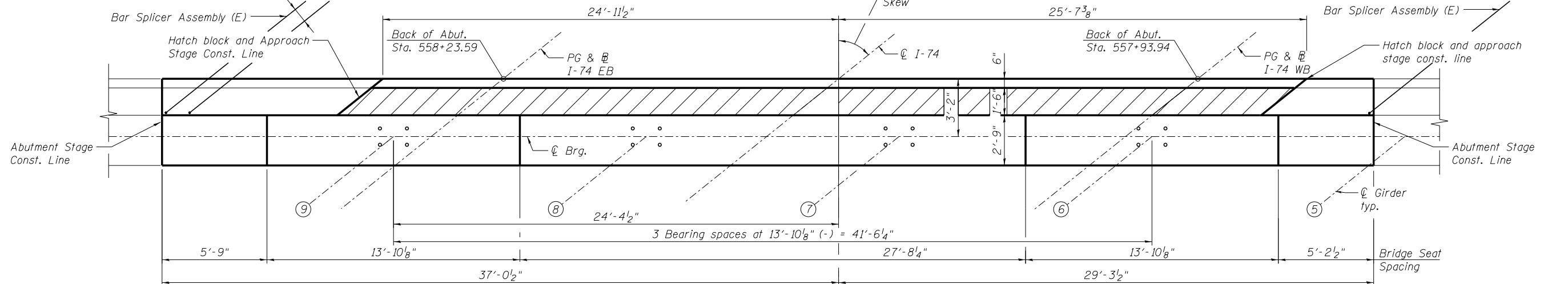
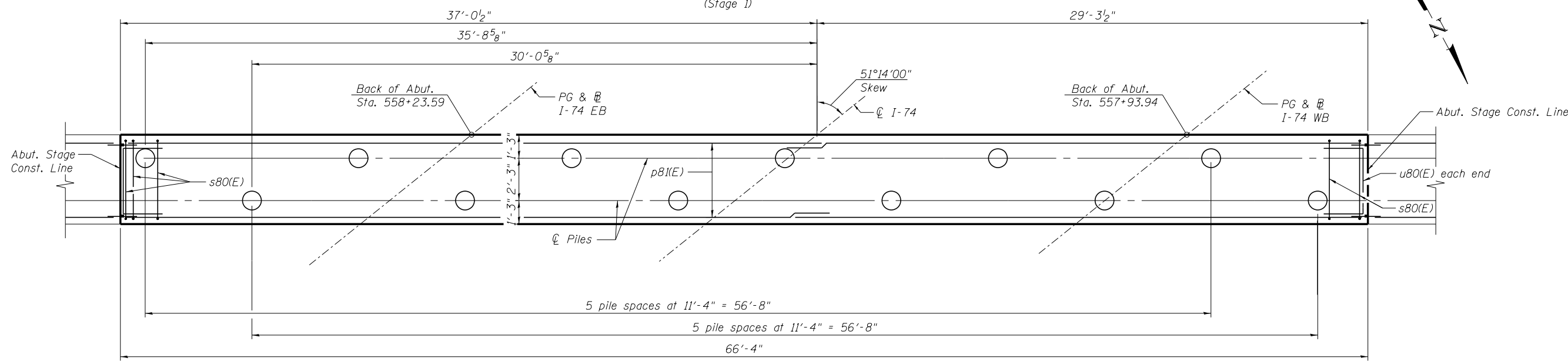


**ELEVATION**  
(Stage 1)



**PLAN - TOP VIEW**  
(Stage 1)



**PLAN - PILE CAP**  
(Stage 1)

**MINIMUM BAR LAP**  
 #5 bar = 3'-3"  
 #6 bar = 3'-10"  
 #7 bar = 5'-2"

**benesch**  
 engineers · scientists · planners  
 Alfred Benesch & Company  
 205 North Michigan Avenue, Suite 2400  
 Chicago, Illinois 60601  
 312-565-0450 Job No. 10056

FILE NAME =	USER NAME = mbecker	DESIGNED - DTS	REVISIONS -
0900167.68620.33.wabut3.dgn		CHECKED - SLD	REVISIONS -
		DRAWN - PRT/DTS	REVISIONS -
		CHECKED - SLD	REVISIONS -

**STATE OF ILLINOIS**  
**DEPARTMENT OF TRANSPORTATION**

**WEST ABUTMENT 3 OF 5**  
**STRUCTURE NO. 090-0167**

SHEET NO. SB33 OF SB65 SHEETS

F.A.I. RTE.	SECTION	COUNTY	TOTAL SHEETS	SHEET NO.
74	90-[14Rr(14HB-4,14,14HVB)BR]	TAZEWELL	2433	1944
CONTRACT NO. 68620				

ILLINOIS FED. AID PROJECT

x:\100000s\10056\engineer\ing-documents\phase-1\174over\Jefferson\Final\0900167.68620.33.wabut3.dgn  
 11:08:42 AM  
 7/16/2012