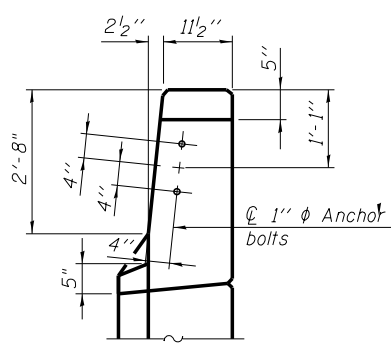
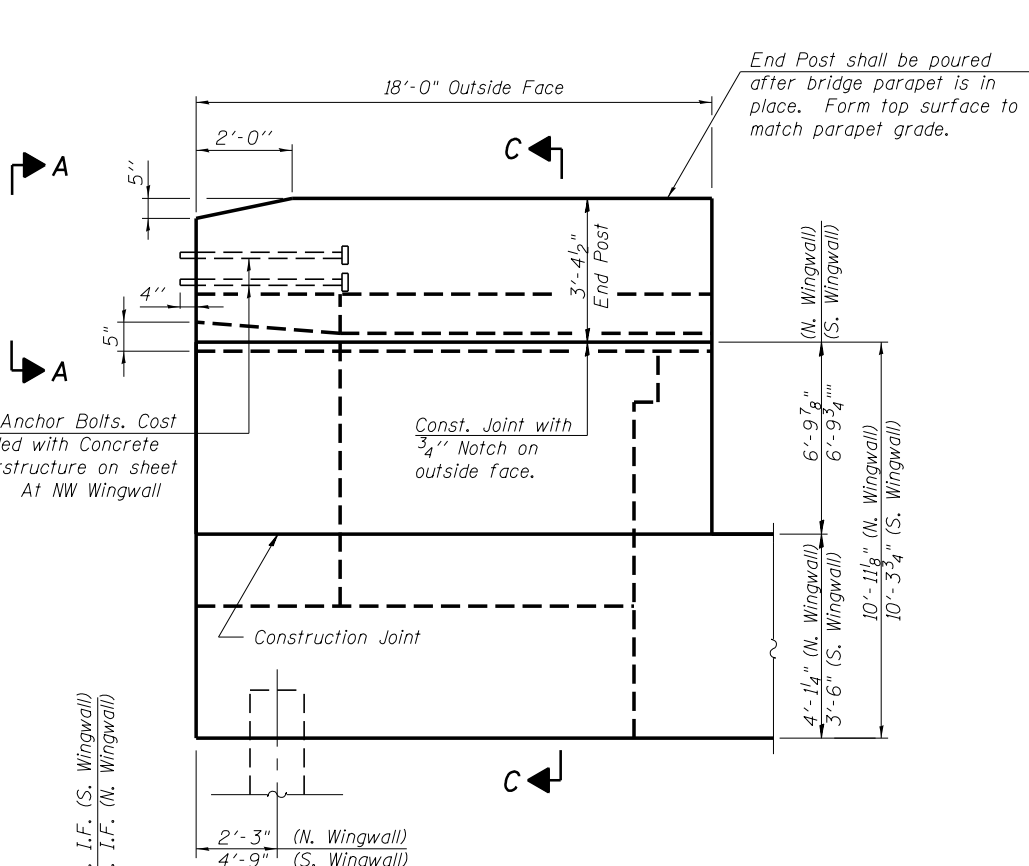


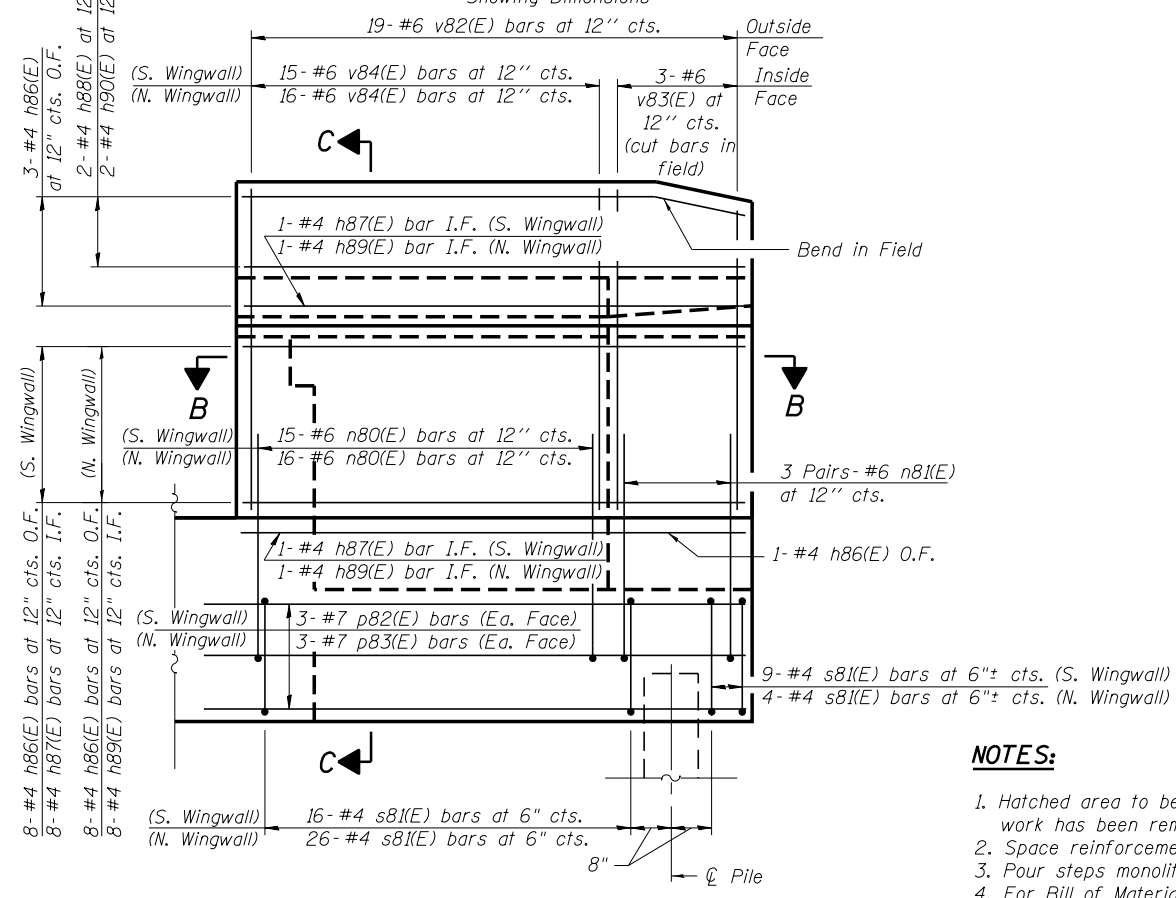
SECTION C-C



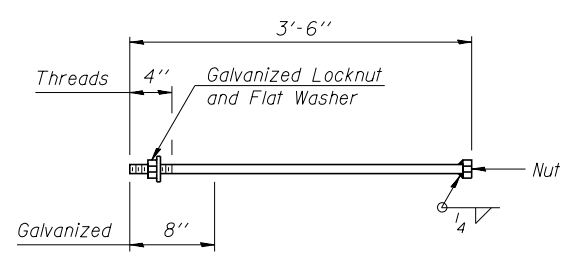
VIEW A-A



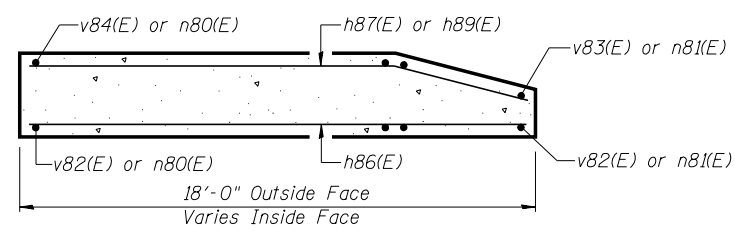
WING WALL ELEVATION
Showing Dimensions



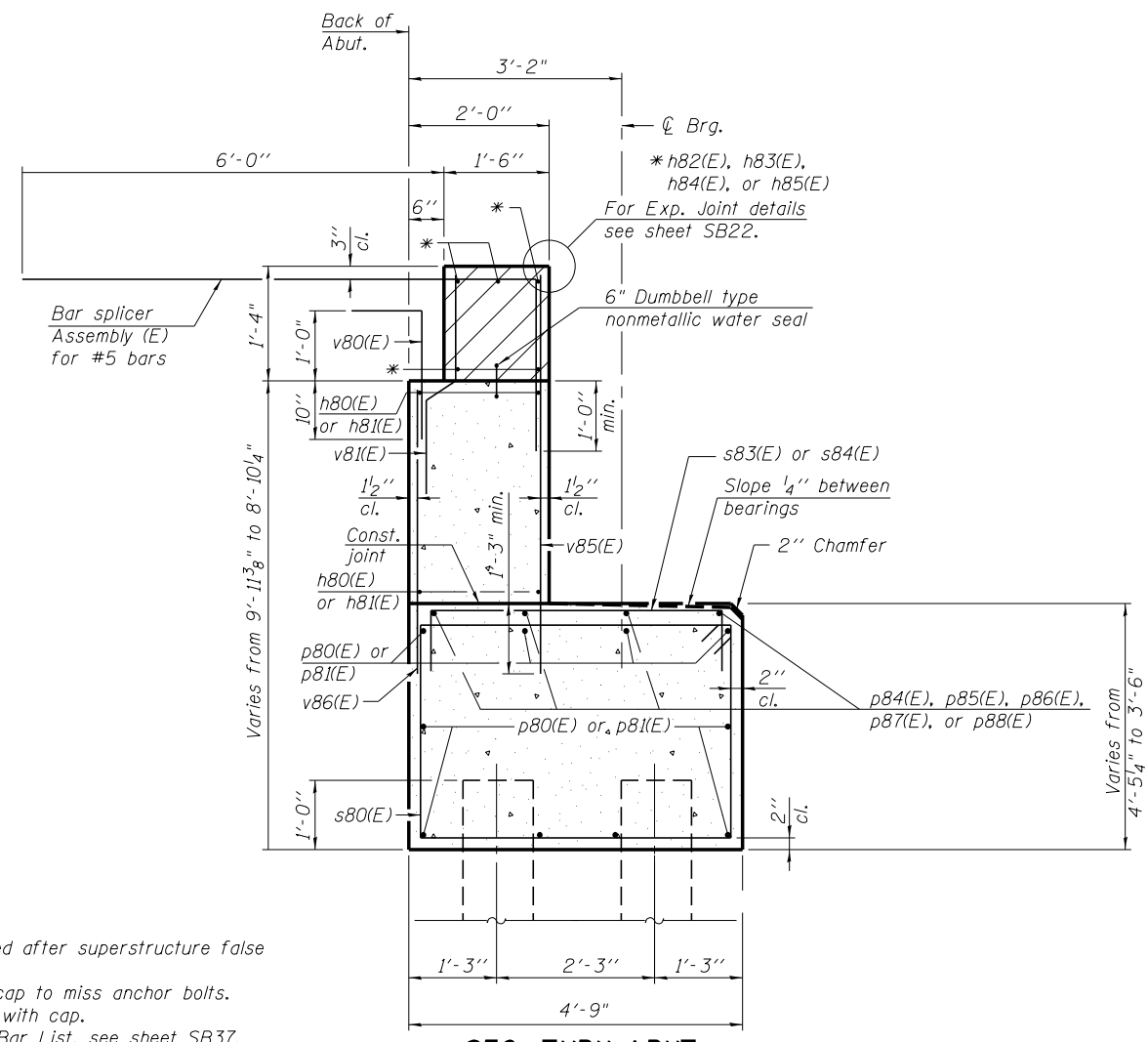
WING WALL ELEVATION
Showing Reinforcement



1" ϕ ANCHOR BOLT
(Cost included with Concrete Superstructure)



SECTION B-B



SEC. THRU ABUT.

NOTES:

1. Hatched area to be poured after superstructure false work has been removed.
2. Space reinforcement in cap to miss anchor bolts.
3. Pour steps monolithically with cap.
4. For Bill of Material and Bar List, see sheet SB37.

benesch
engineers · scientists · planners

Alfred Benesch & Company
205 North Michigan Avenue, Suite 2400
Chicago, Illinois 60601
312-565-0450 Job No. 10056

FILE NAME =	USER NAME = mbecker	DESIGNED - DTS	REVISED -
0900167.68620.36.wabut6.dgn		CHECKED - SLD	REVISED -
	PLOT SCALE =	DRAWN - PRT/DTS	REVISED -
	PLOT DATE = 7/16/2012	CHECKED - SLD	REVISED -

STATE OF ILLINOIS
DEPARTMENT OF TRANSPORTATION

WEST ABUTMENT DETAILS 1 OF 2
STRUCTURE NO. 090-0167
SHEET NO. SB36 OF SB65 SHEETS

F.A.I. RTE.	SECTION	COUNTY	TOTAL SHEETS	SHEET NO.
74	90-[14R2(14HB-4,14,14HVB)BR]	TAZEWELL	2433	1947
CONTRACT NO. 68620				
ILLINOIS FED. AID PROJECT				

11:08:45 AM x:\10000s\10056\engineer\ing-documents\phase-1\174over\Jefferson\Final\0900167.68620.36.wabut6.dgn 7/16/2012