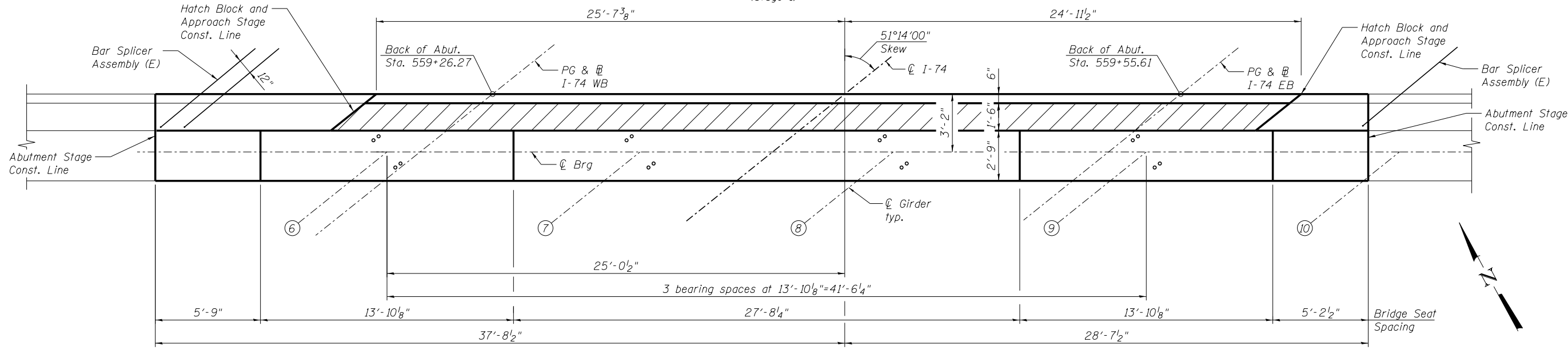
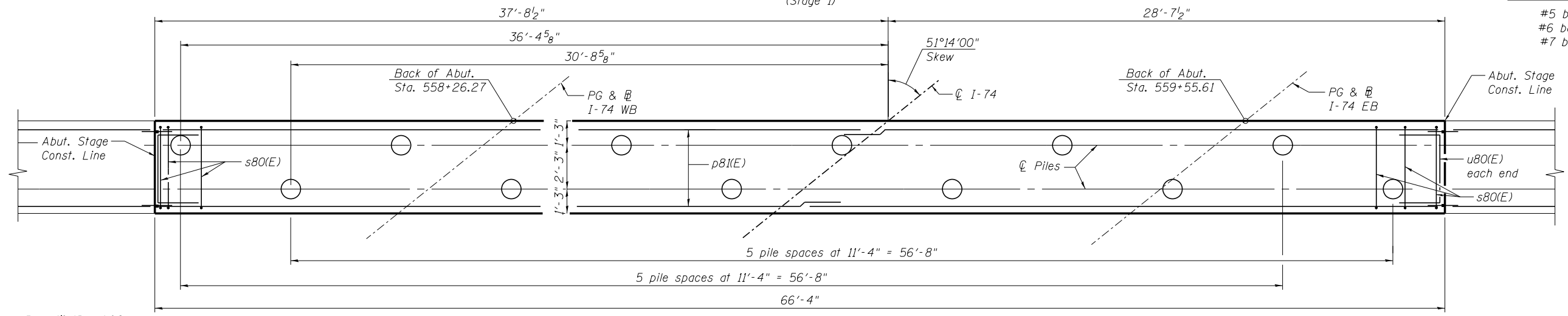


ELEVATION
(Stage 1)



PLAN - TOP VIEW
(Stage 1)



PLAN - PILE CAP
(Stage 1)

MINIMUM BAR LAP

- #5 bar = 3'-3"
- #6 bar = 3'-10"
- #7 bar = 5'-2"

benesch
engineers · scientists · planners

Alfred Benesch & Company
205 North Michigan Avenue, Suite 2400
Chicago, Illinois 60601
312-565-0450 Job No. 10056

FILE NAME =	USER NAME = mbecker	DESIGNED - DTS	REVISIED -
0900167.68620.40.eabut3.dgn		CHECKED - SLD	REVISIED -
		DRAWN - PRT/DTS	REVISIED -
		CHECKED - SLD	REVISIED -

STATE OF ILLINOIS
DEPARTMENT OF TRANSPORTATION

EAST ABUTMENT 3 OF 5
STRUCTURE NO. 090-0167

SHEET NO. SB40 OF SB65 SHEETS

F.A.I. RTE.	SECTION	COUNTY	TOTAL SHEETS	SHEET NO.
74	90-[14R;14HB-4,14,14HVB]BR	TAZEWELL	2433	1951
CONTRACT NO. 68620				
ILLINOIS FED. AID PROJECT				

11:08:49 AM
 x:\10000s\10056\engineer\ing-documents\phase-1\174over\Jefferson\Final\0900167.68620.40.eabut3.dgn
 7/16/2012