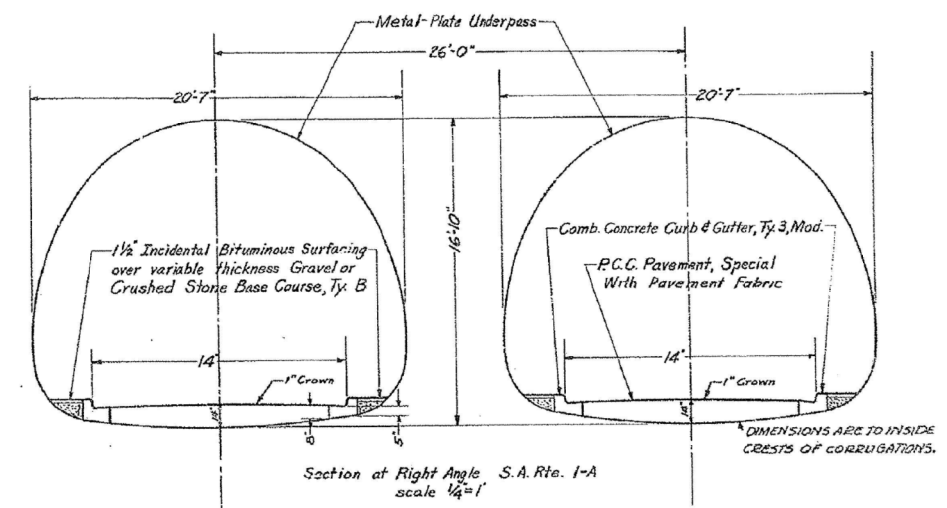
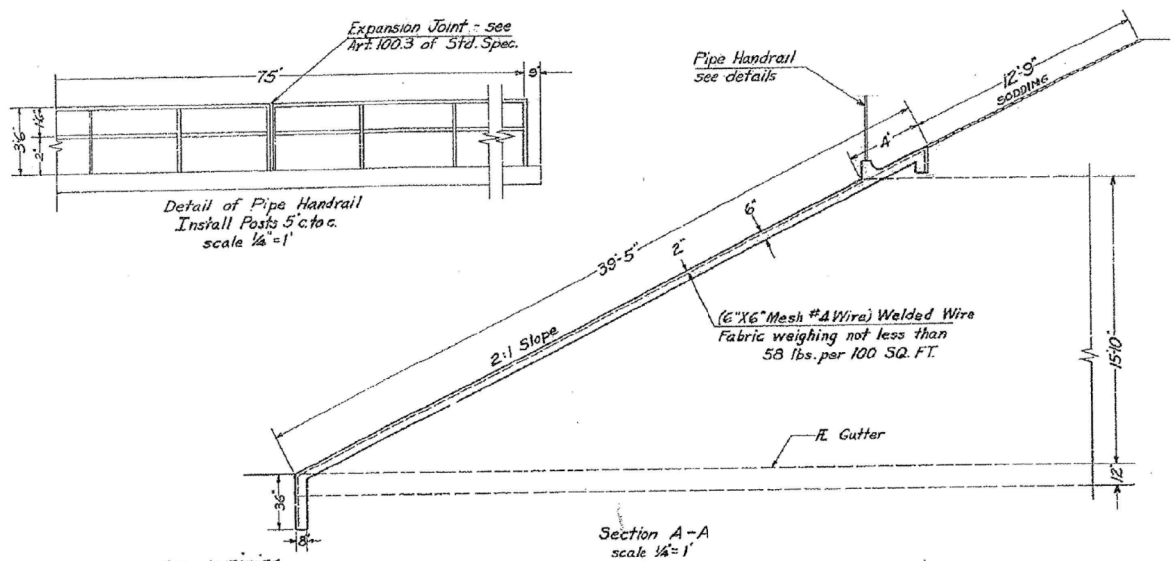
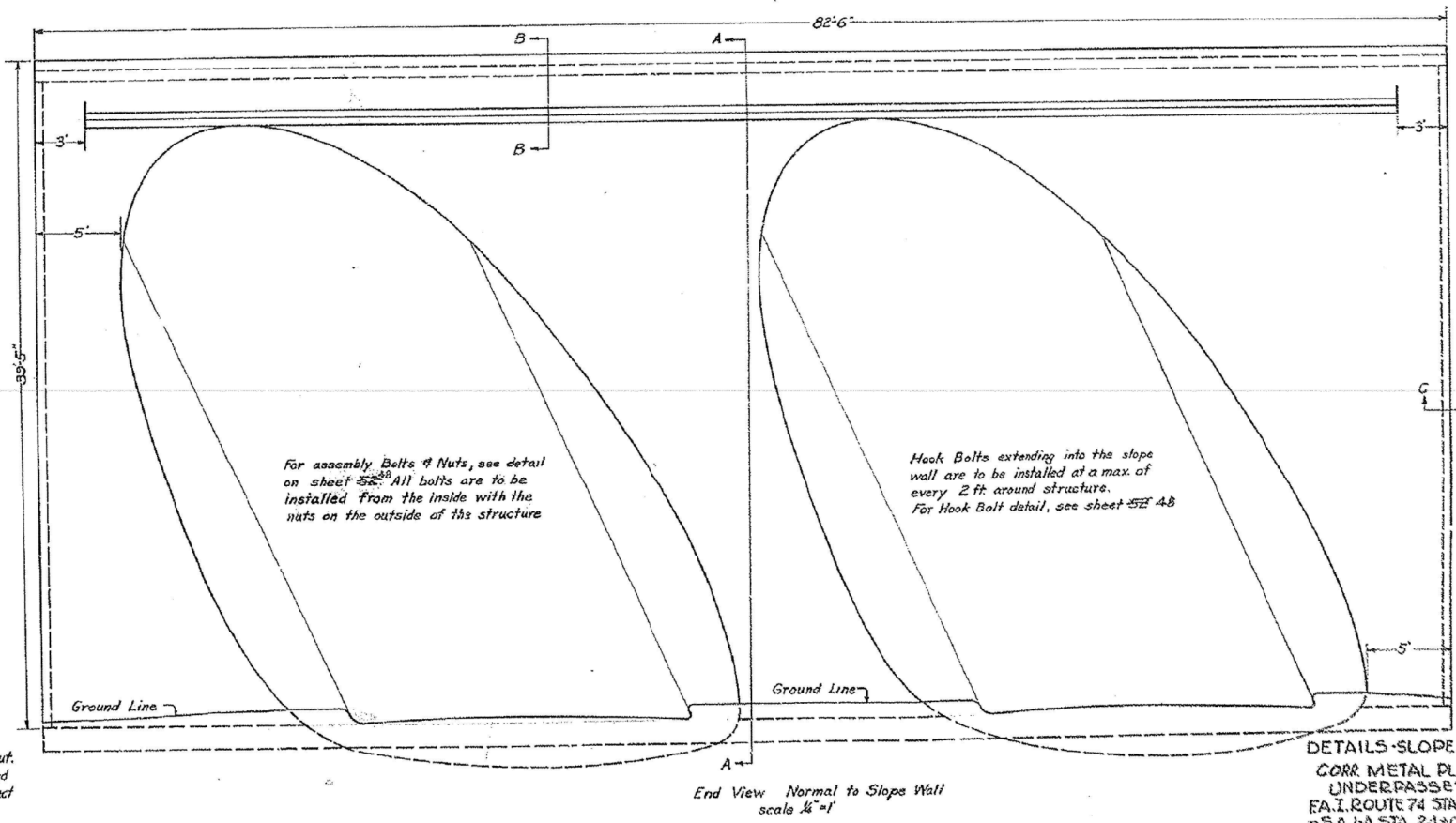
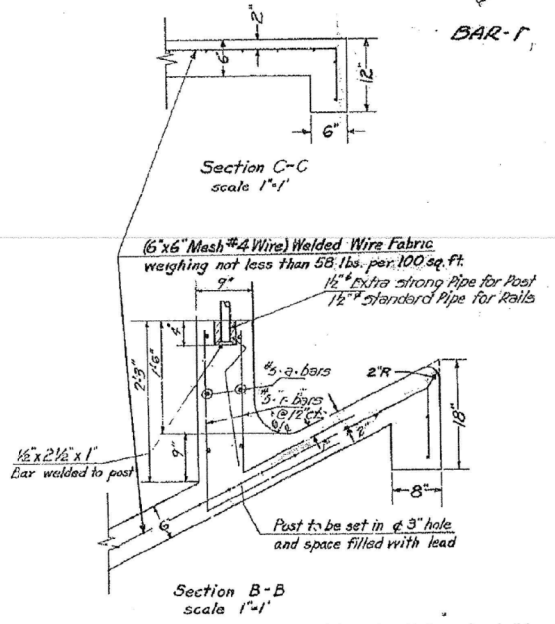
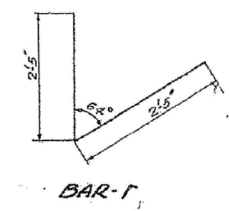


ROUTE NO. 74
 TAZEWELL 251 41
 SHEET NO. SB64 OF SB65 SHEETS



LIST OF QUANTITIES
 SLOPE WALL 369 Sq. Yds.
 PIPE HANDRAIL 150 L.F.
 Reinforcement Bars 720 Lbs.



Note: Class X Concrete shall be used throughout. The cost of furnishing & installing the welded wire fabric shall be included in the Contract unit price per square yard for Slope wall.

DETAILS - SLOPE WALL FOR CORR METAL PLATE UNDERPASSES
 F.A.I. ROUTE 74 STA 555+75.29
 * S.A. 1-A STA. 24+00.
 090 - 00160

benesch
 engineers · scientists · planners
 Alfred Benesch & Company
 205 North Michigan Avenue, Suite 2400
 Chicago, Illinois 60601
 312-565-0450 Job No. 10056

FILE NAME = 0900167.68620.64.exist1.dgn
 PLOT SCALE =
 PLOT DATE = 7/16/2012

USER NAME = mbecker	DESIGNED - MFB	REVISED -
	CHECKED - MRB	REVISED -
	DRAWN - PRT	REVISED -
	CHECKED - MRB	REVISED -

STATE OF ILLINOIS
 DEPARTMENT OF TRANSPORTATION

EXISTING PLANS
 STRUCTURE NO. 090-0167

SHEET NO. SB64 OF SB65 SHEETS

FOR INFORMATION ONLY

F.A.I. RTE.	SECTION	COUNTY	TOTAL SHEETS	SHEET NO.
74	90-[14R;14HB-4,14,14HV8]BRJ	TAZEWELL	2433	1975
			CONTRACT NO. 68620	
ILLINOIS FED. AID PROJECT				

11:10:23 AM
 x:\10000s\10056\engineer\ing-documents\phase-1\174over\Jefferson\Final\0900167.68620.64-exist1.dgn
 7/16/2012