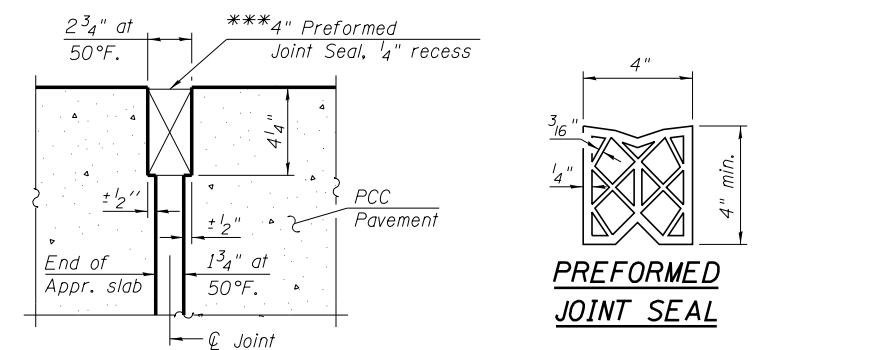
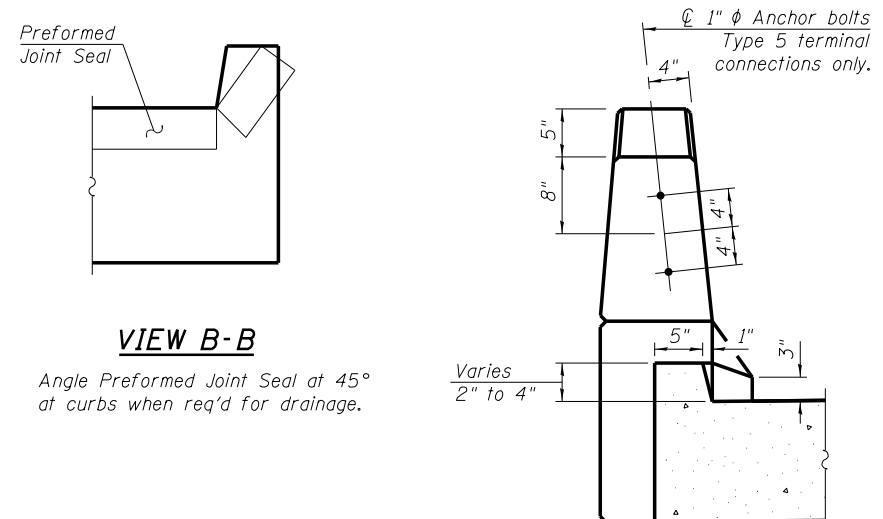


WORK POINTS

Point	Station	Offset
WP1	566+48.67	58.38' Lt.
WP2	567+13.35	58.42' Rt.



*** Cost included with Concrete Superstructure



MINIMUM BAR LAP
(Approach Slab)
#4 bar = 2'-7"
#5 bar = 3'-3"

- NOTES:**
- See sheet SC27 for Sections and Views shown in Plan.
 - a30(E) thru a33(E) bars are spaced along Local Tangent.
 - b30(E) and b31(E) bars are spaced perpendicular to Local Tangent.
 - t30(E) bars are spaced along skew of approach footing.
 - Bars indicated thus 20x2-#5 etc. indicate 20 lines of bars with 2 lengths per line.
 - Stations and offsets are measured from $\text{C} \perp$ I-74.

* Tilt #9 b31(E) bars as required to maintain clearance.
** Space between a32(E) bars, typ. each parapet.