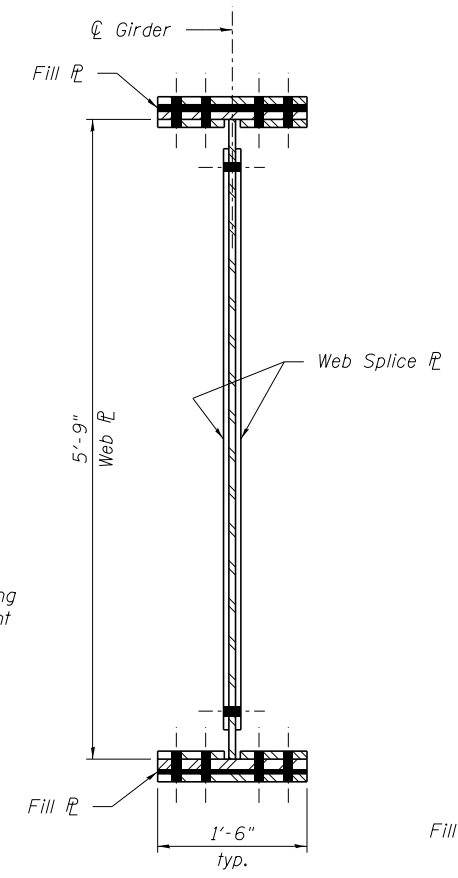
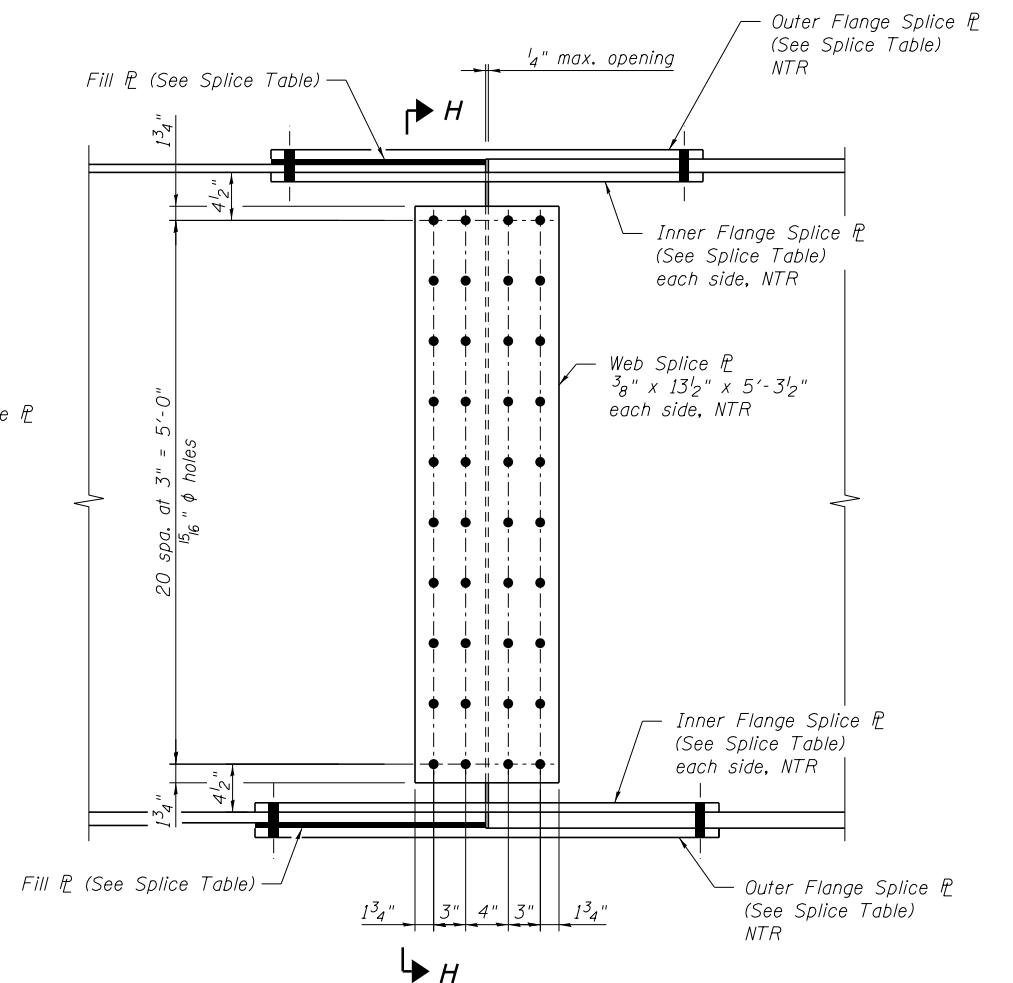


**CAMBER DIAGRAM**



**SECTION H-H**



**ELEVATION - FIELD SPLICE**

(Splice 1 shown, Splice 2 opposite hand)  
(84 Bolts per Web Splice)

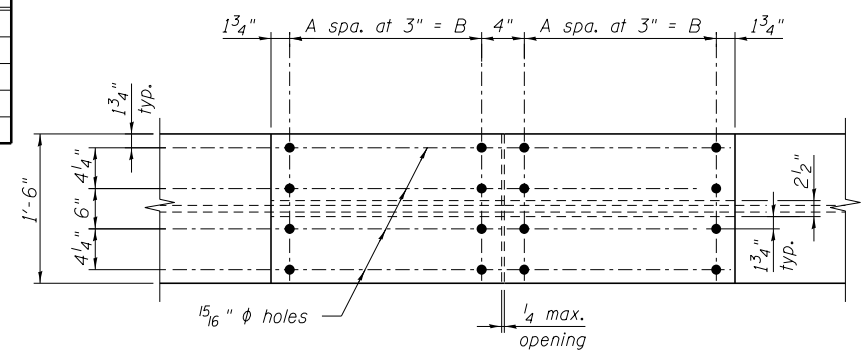
**TOP OF WEB ELEVATIONS**

Location	Girder 1	Girder 2	Girder 3	Girder 4	Girder 5	Girder 6	Girder 7	Girder 8	Girder 9	Girder 10	Girder 11	Girder 12	Girder 13	Girder 14
Brg. W. Abut.	747.72	747.88	747.75	747.54	747.34	747.14	746.94	746.88	747.01	746.81	746.60	746.40	746.20	746.00
Splice 1	747.35	747.51	747.31	747.11	746.91	746.71	746.51	746.49	746.58	746.38	746.18	745.98	745.77	745.57
Brg. Pier 1	747.04	747.20	747.00	746.80	746.60	746.40	746.19	746.19	746.27	746.07	745.87	745.66	745.46	745.26
Splice 2	747.02	747.16	746.96	746.76	746.56	746.36	746.16	746.16	746.23	746.03	745.83	745.63	745.43	745.22
Brg. E. Abut.	746.37	746.52	746.32	746.11	745.91	745.70	745.49	745.46	745.55	745.34	745.13	744.91	744.70	744.49

For fabricator use only.

**SPLICE TABLE**

Splice Location	Top Flange			Bottom Flange								
	Outer Flange $\bar{r}$	Inner Flange $\bar{r}$	Fill $\bar{r}$	A	B	No. Bolts	Outer Flange $\bar{r}$	Inner Flange $\bar{r}$	Fill $\bar{r}$	A	B	No. Bolts
Splice 1	1/2" x 18" x 2'-7 1/2"	5/8" x 7 3/4" x 2'-7 1/2"	1/2" x 18" x 1'-3 5/8"	4	1'-0"	40	1/2" x 18" x 2'-7 1/2"	5/8" x 7 3/4" x 2'-7 1/2"	1/4" x 18" x 1'-3 5/8"	4	1'-0"	40
Splice 2	7/8" x 18" x 4'-7 1/2"	1" x 7 3/4" x 4'-7 1/2"	1/4" x 18" x 2'-3 5/8"	8	2'-0"	72	1" x 18" x 4'-7 1/2"	1 1/4" x 7 3/4" x 4'-7 1/2"	None	8	2'-0"	72



**FLANGE SPLICE**  
(Top & Bottom Flanges)

**NOTES:**

- All Splice Plates, except fill plates, shall be AASHTO M270 Grade 50 steel unless otherwise noted.
- All Splice Bolts shall be 7/8"  $\phi$  ASTM A325 High Strength with 15/16"  $\phi$  holes.
- Load carrying components designated "NTR" shall conform to the Impact Testing Requirements, Zone 2.
- All splices are symmetrical about  $\bar{c}$  splice except for fill  $\bar{r}$ .

x:\10000s\10056\engineer-ing-documents\phase-1\174over-Jackson\Final\0900169.68620.33.stdt4.dgn 11:19:37 AM 7/16/2012