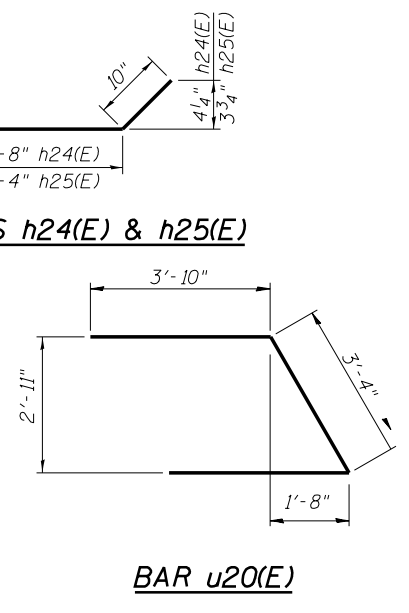
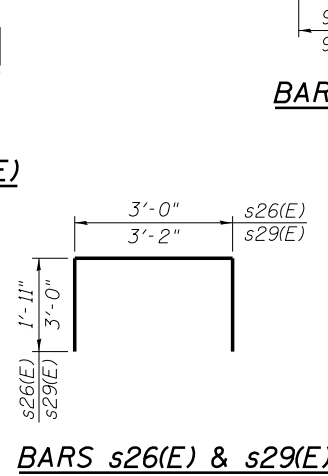
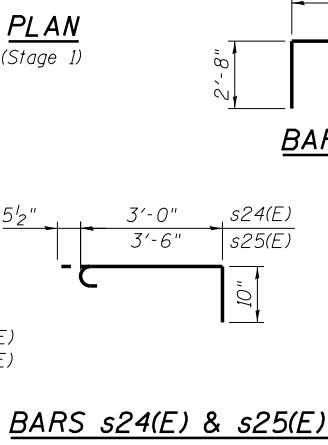
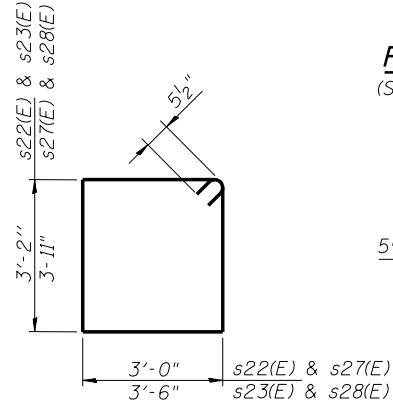


FIELD CUTTING DIAGRAM
Order v26(E), v27(E) and h23(E) full length. Cut as shown and use remainder of bars in opposite face.



SECTION B-B
BILL OF MATERIAL

Bar	No.	Size	Length	Shape
h20(E)	64	#7	13'-6"	
h21(E)	11	#4	3'-2"	
h22(E)	11	#4	5'-8"	
h23(E)	7	#6	20'-1"	
h24(E)	2	#6	10'-6"	
h25(E)	2	#6	10'-2"	
p20(E)	16	#7	28'-0"	
p21(E)	8	#5	27'-0"	
p22(E)	8	#7	36'-2"	
p23(E)	12	#5	19'-9"	
p24(E)	16	#7	27'-9"	
p25(E)	8	#5	26'-9"	
p26(E)	4	#5	7'-3"	
p27(E)	4	#5	23'-3"	
p28(E)	4	#5	10'-9"	
p29(E)	8	#5	22'-0"	
p30(E)	4	#5	9'-8"	
s22(E)	98	#5	13'-3"	
s23(E)	6	#5	14'-3"	
s24(E)	301	#5	4'-4"	
s25(E)	18	#5	4'-10"	
s26(E)	82	#5	6'-10"	
s27(E)	35	#5	14'-9"	
s28(E)	2	#5	15'-9"	
s29(E)	4	#5	9'-2"	
u20(E)	27	#6	11'-0"	
v21(E)	268	#8	6'-6"	
v26(E)	11	#5	16'-11"	
v27(E)	11	#5	16'-8"	
v28(E)	4	#4	8'-5"	
v29(E)	7	#4	8'-8"	
w20(E)	6	#5	3'-2"	
w21(E)	6	#5	5'-8"	
z20(E)	15	#4	7'-2"	
Structure Excavation	Cu. Yd.	420		
Concrete Structures	Cu. Yd.	79.5		
Reinforcement Bars, Epoxy Coated	Pound	15,380		
Furnishing Steel Piles HP12x53	Foot	1,943		
Driving Piles	Foot	1,943		
Test Pile Steel HP12x53	Each	1		
Pile Shoes	Each	30		

benesch
engineers · scientists · planners
Alfred Benesch & Company
205 North Michigan Avenue, Suite 2400
Chicago, Illinois 60601
312-565-0450 Job No. 10056

FILE NAME =	USER NAME = mbecker	DESIGNED - DTS	REVISD -
0900169.68620.39.abut5.dgn	PLOT SCALE =	CHECKED - SLD	REVISD -
	PLOT DATE = 7/18/2012	DRAWN - PRT/SLD	REVISD -
		CHECKED - SLD	REVISD -

STATE OF ILLINOIS
DEPARTMENT OF TRANSPORTATION

EAST ABUTMENT DETAILS 2 OF 3
STRUCTURE NO. 090-0169
SHEET NO. SC39 OF SC63 SHEETS

F.A.I. RT.	SECTION	COUNTY	TOTAL SHEETS	SHEET NO.
74	90-[14R]14HB-4,14,14HV[B]BR	TAZEWELL	2433	2015
			CONTRACT NO. 68620	
ILLINOIS FED. AID PROJECT				

8:11:03 AM x:\10000s\10056\engineer\ing-documents\phase-1\174over\Jackson\Final\0900169.68620.39.abut5.dgn 7/18/2012