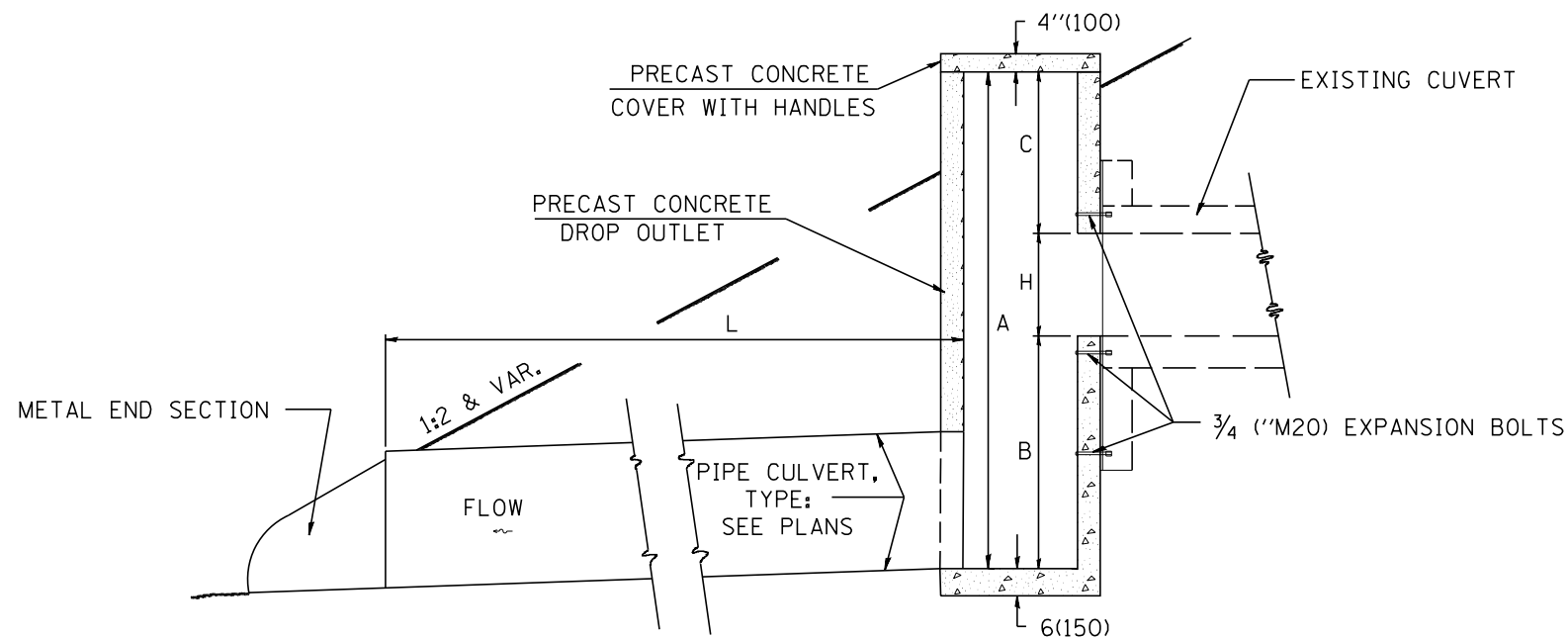
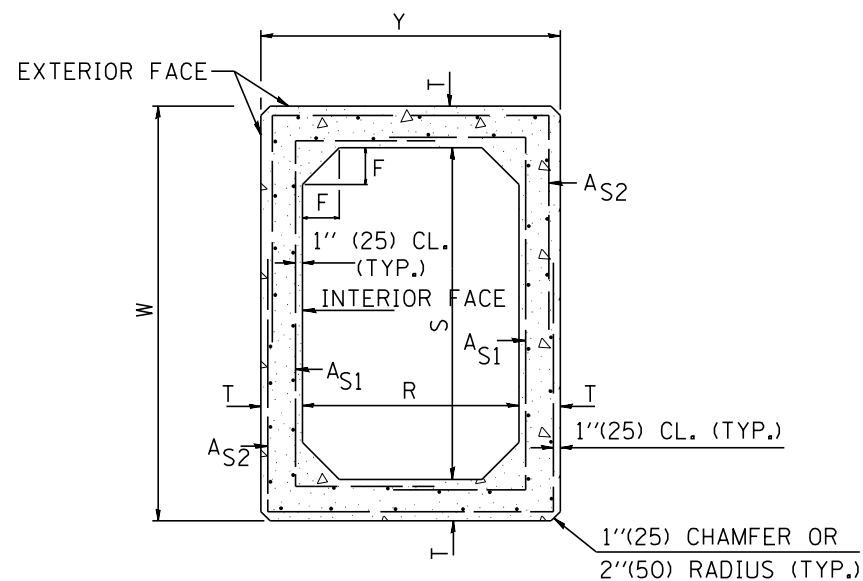


PLAN



SECTION A-A



SECTION THRU DROP OUTLET

DIMENSIONS

S x R ft (mm)	T	W	Y	F	A _{S1}	A _{S2}
3' x 3' (900 x 900)	4" (100)	3'-8" (1.12m)	3'-8" (1.12m)	4" (100)	0.10	0.10
4' x 4' (1200 x 1200)	5" (125)	4'-10" (1.48m)	4'-10" (1.48m)	5" (125)	0.12	0.12

GENERAL NOTES

1. This work shall be performed in accordance with Section 503 of the Standard Specification.
2. The terms AS1 & AS2 denotes the minimum required steel areas for reinforcement as specified in ASTM C 789. Reinforcement shall be welded wire fabric conforming to ASTM Specifications A185.

All slope ratios are expressed as units of vertical displacement to units of horizontal displacement (V:H).

All dimensions are in inches (millimeters) unless otherwise noted.

01-01-97	RENUM. J-11.04, METRICS, NEW REVISION BOX.	T.P.
	REVISED TITLE BOX, ADD DES. NOTE	
01-22-97	CORRECT DIMENSIONS BOX	L.A.D.
10-16-06	REVISED TO 2007 SPEC.	M.A.

STATE OF ILLINOIS
DEPARTMENT OF TRANSPORTATION

SPECIAL DROP OUTLET DETAIL

NOT TO SCALE

CADD STD. 503101-D4

F.A.I. RTE.	SECTION	COUNTY	TOTAL SHEETS	SHEET NO.
90-[14R(14HB-4,14,14HVB)BR]		TAZEWELL	2433	2104
FED. ROAD DIST. NO. ILLINOIS FED. AID PROJECT			CONTRACT NO. 68620	