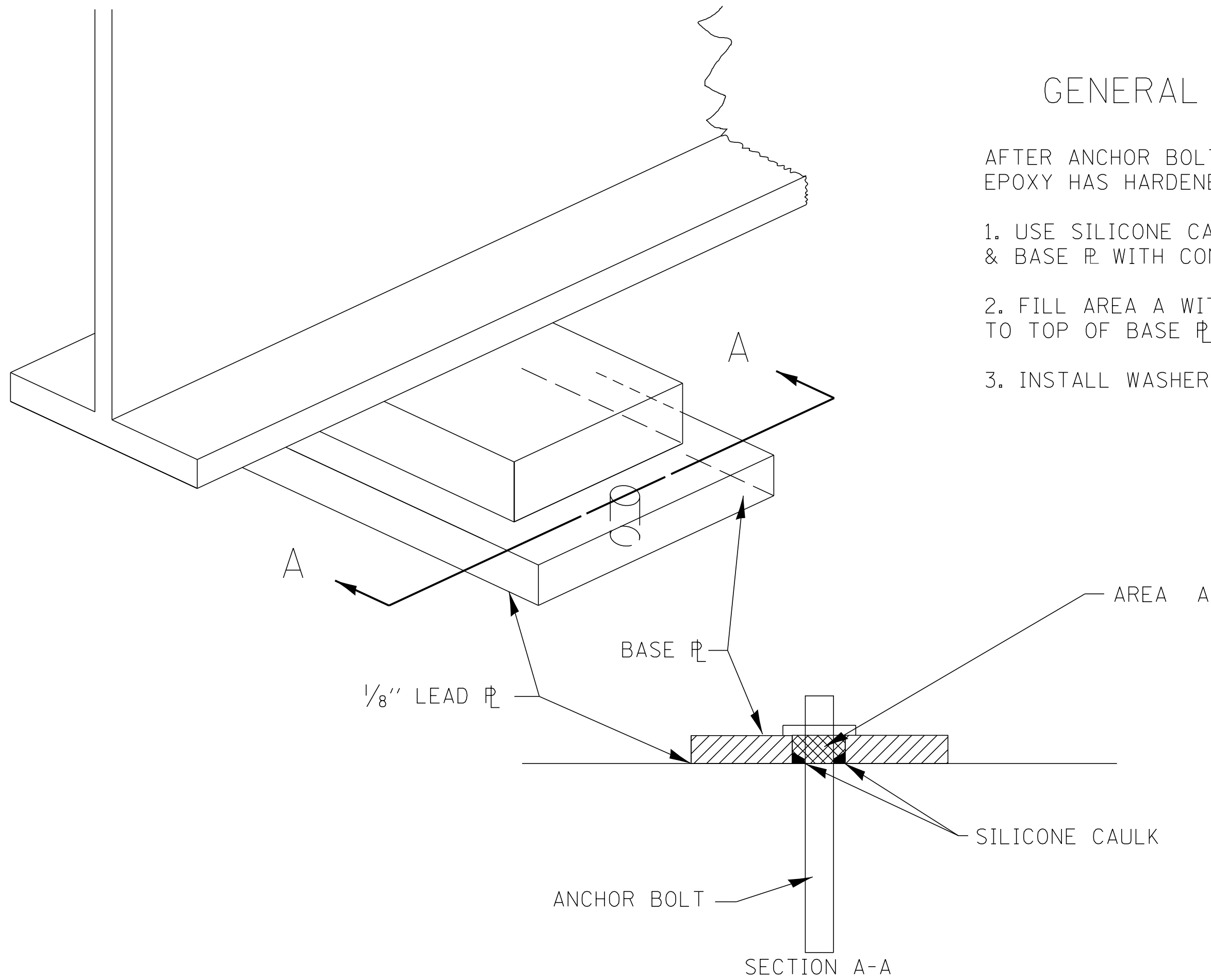


GENERAL NOTES

AFTER ANCHOR BOLT IS INSTALLED & EPOXY HAS HARDENED

1. USE SILICONE CAULK TO SEAL LEAD ϕ & BASE ϕ WITH CONCRETE
2. FILL AREA A WITH 2 PART EPOXY, TO TOP OF BASE ϕ
3. INSTALL WASHER & NUT



All dimensions are in inches (millimeters) unless otherwise noted.

				STATE OF ILLINOIS DEPARTMENT OF TRANSPORTATION		BEARING PLATE DETAIL		F.A.I. SECTION COUNTY TOTAL SHEETS SHEET NO. RTE. 90-[14R2(14HB-4,14,14HVB)BR] TAZEWELL 2433 2105 CONTRACT NO. 68620	
				NOT TO SCALE		CADD STD. 505001-D4		FED. ROAD DIST. NO. ILLINOIS FED. AID PROJECT • 74 & 155	