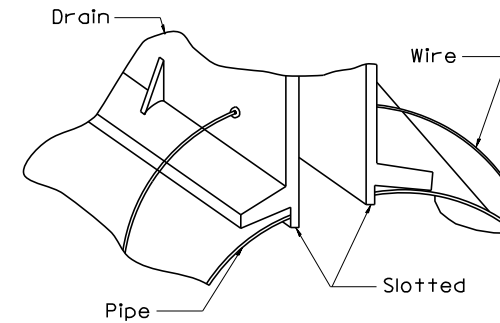
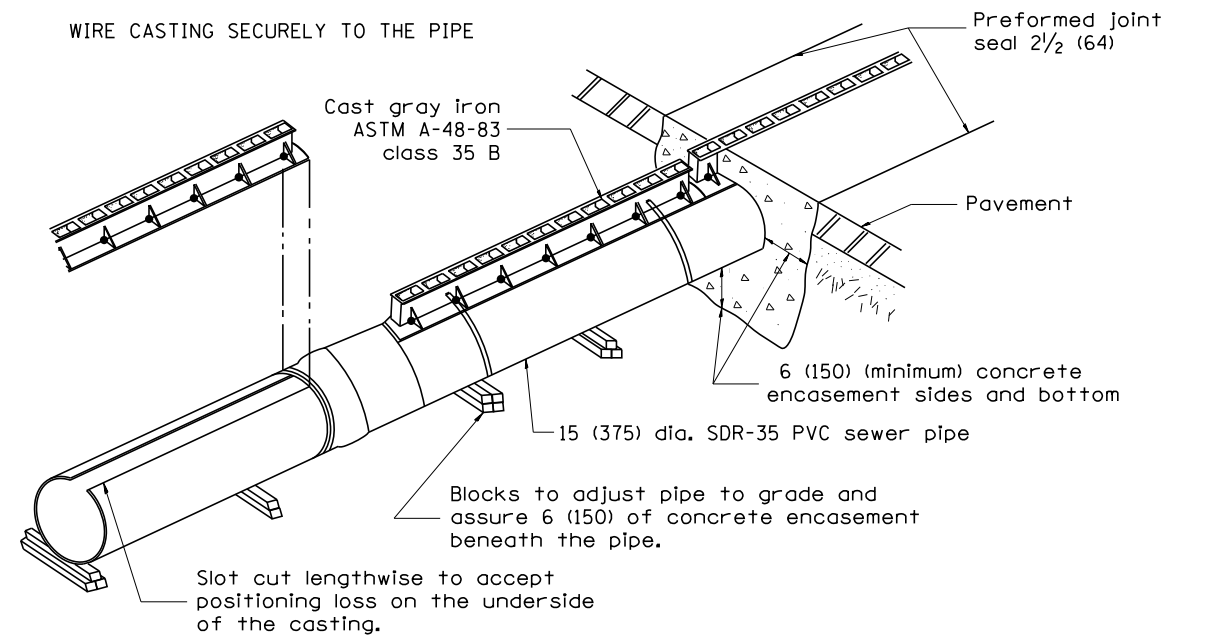
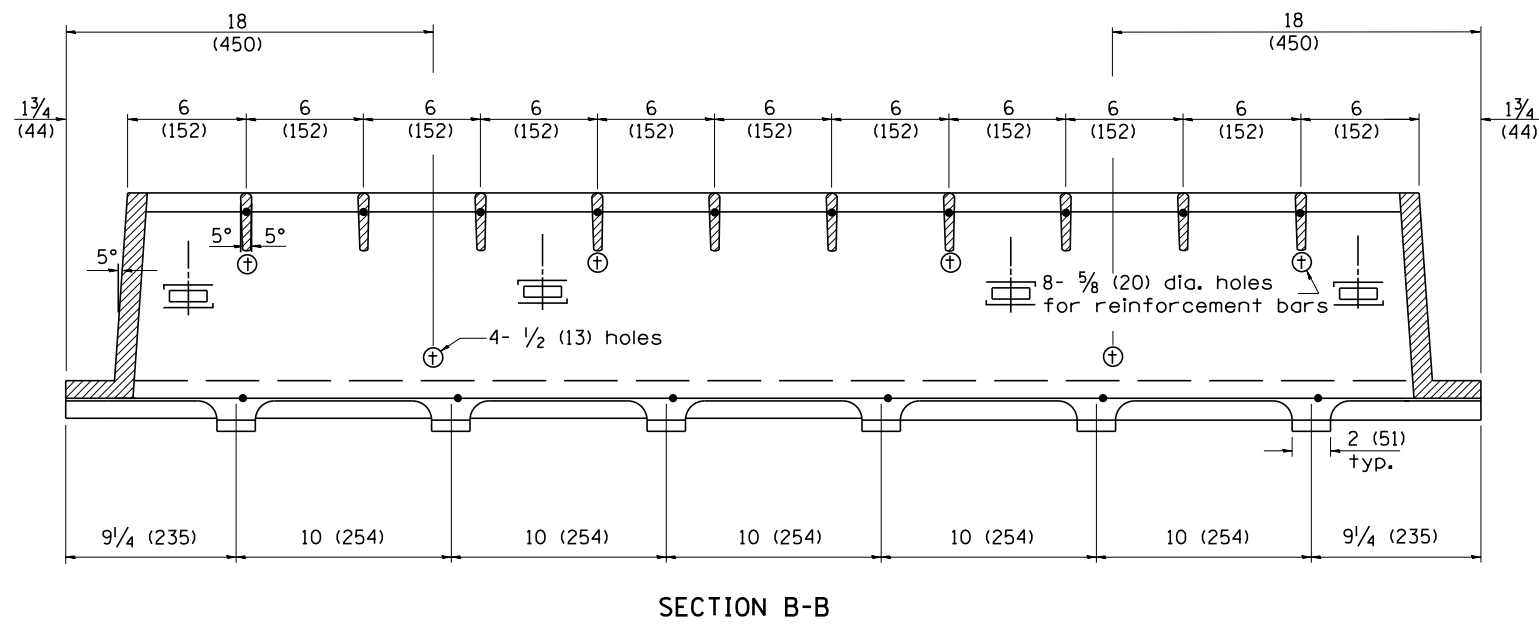
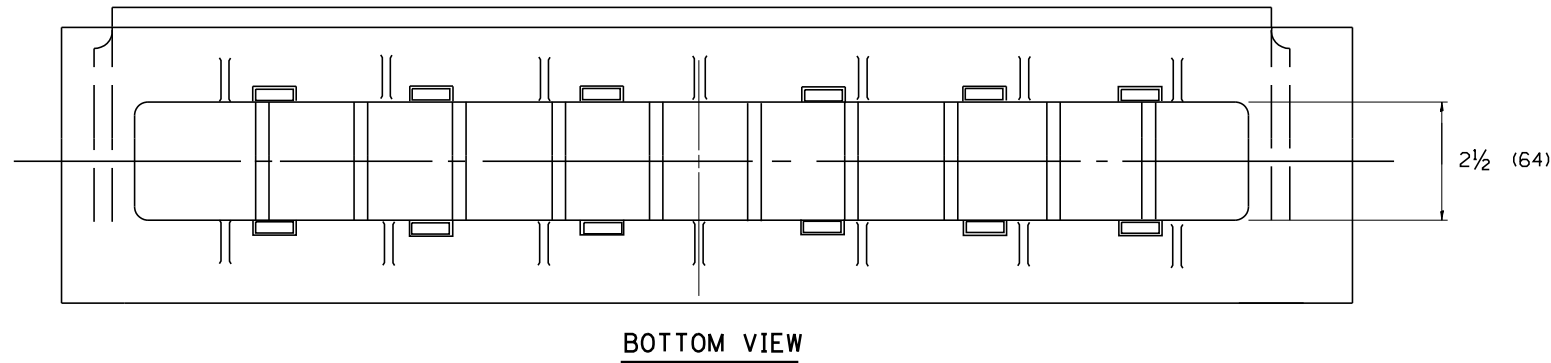
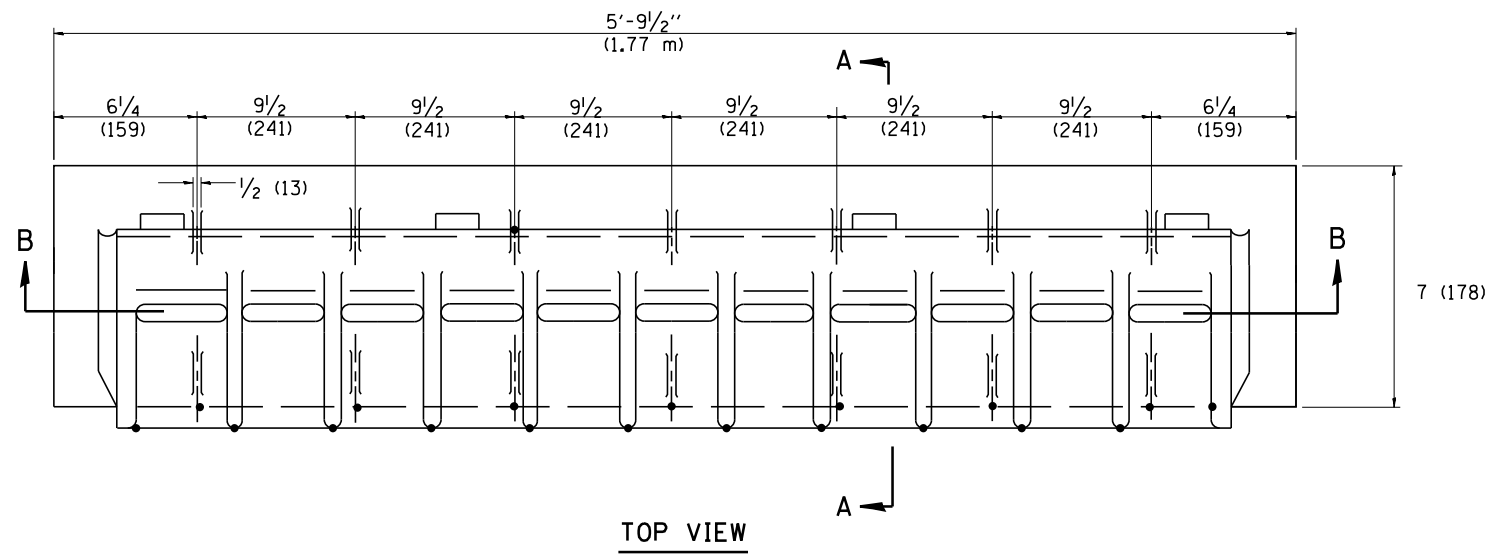
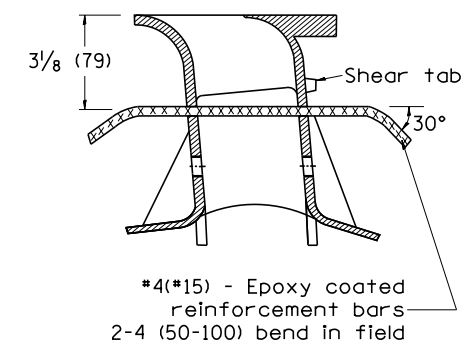
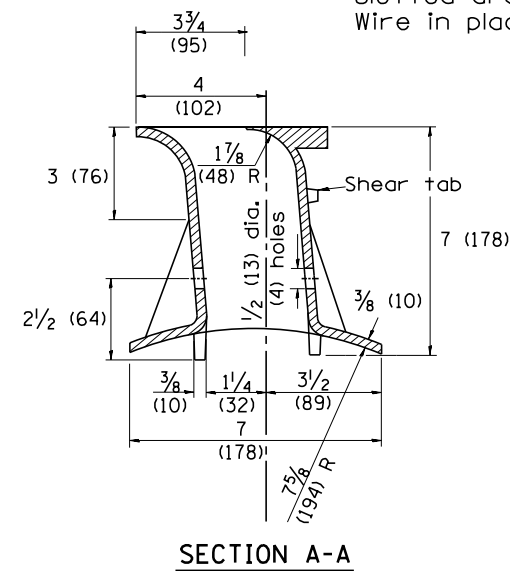


Designer Notes:
 1. This drawing is based upon a 1985 Neenah drawing (New Products D -0002). Contact Neenah for new shop drawing prior to inclusion in plans.



NOTE:
 Saw slot in pipe. Insert slotted drain in pipe. Wire in place.



All dimensions are in inches (millimeters) unless otherwise noted.

01-01-97	RENUM. B-4.10, NEW REVISION BOX	T.P.
10-16-06	REVISED TO 2007 SPEC.	M.A.

STATE OF ILLINOIS
DEPARTMENT OF TRANSPORTATION

SLOTTED VANE DRAIN

NOT TO SCALE

CADD ST. 601701-D4

F.A.I. RTE.	SECTION	COUNTY	TOTAL SHEETS	SHEET NO.
• 90-[14R]([14HB-4,14,14HVB]BR)		TAZEWELL	2433	2109
CONTRACT NO. 68620				
FED. ROAD DIST. NO.	ILLINOIS FED. AID PROJECT			