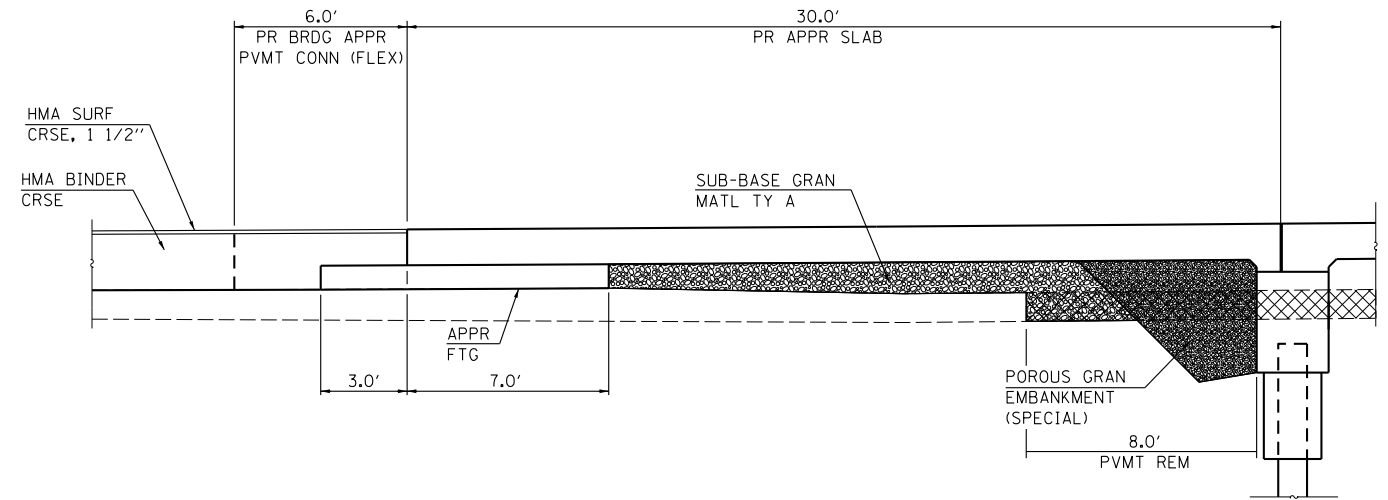
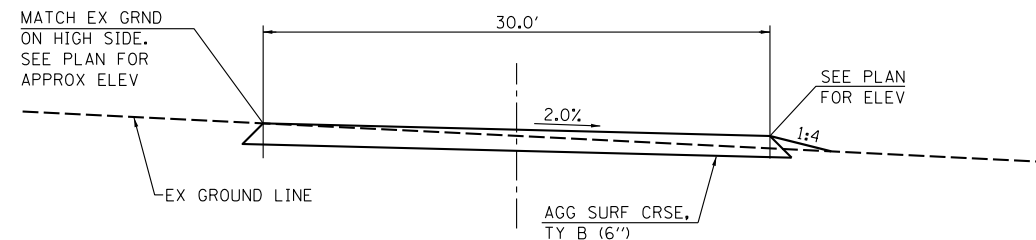


ENTRANCE DETAIL – PE STA 404+23

SEE PLAN & PROFILE FOR ADDITIONAL INFORMATION

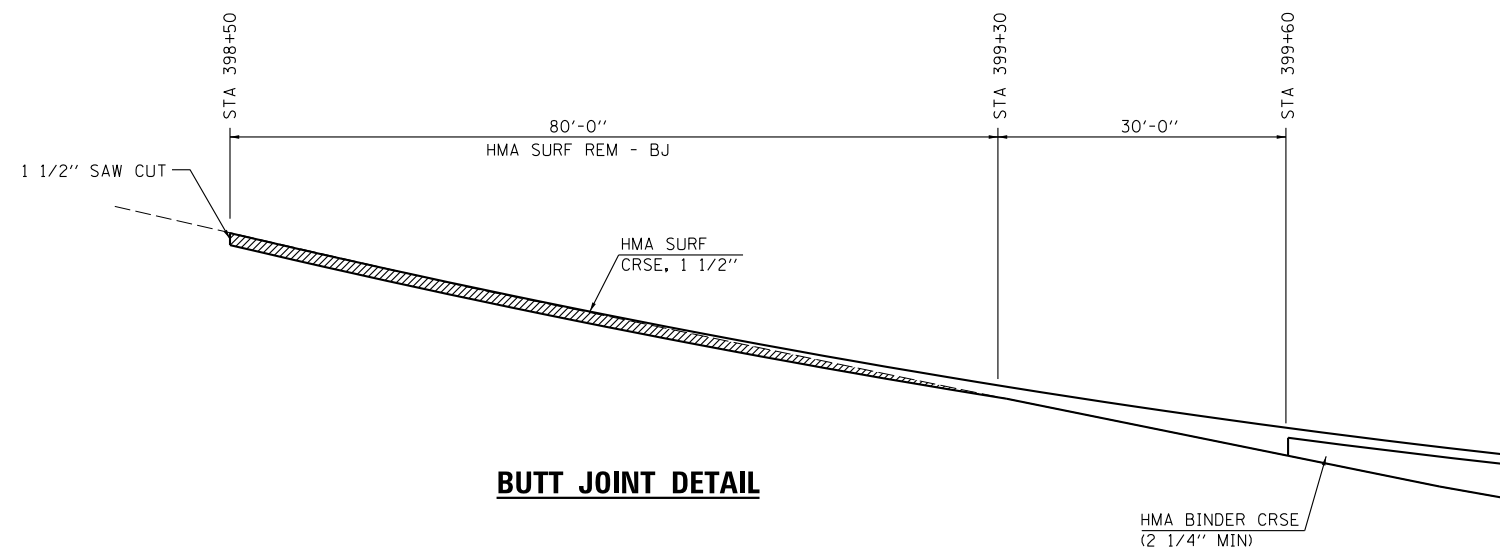


TYPICAL DETAIL AT APPROACH SLAB

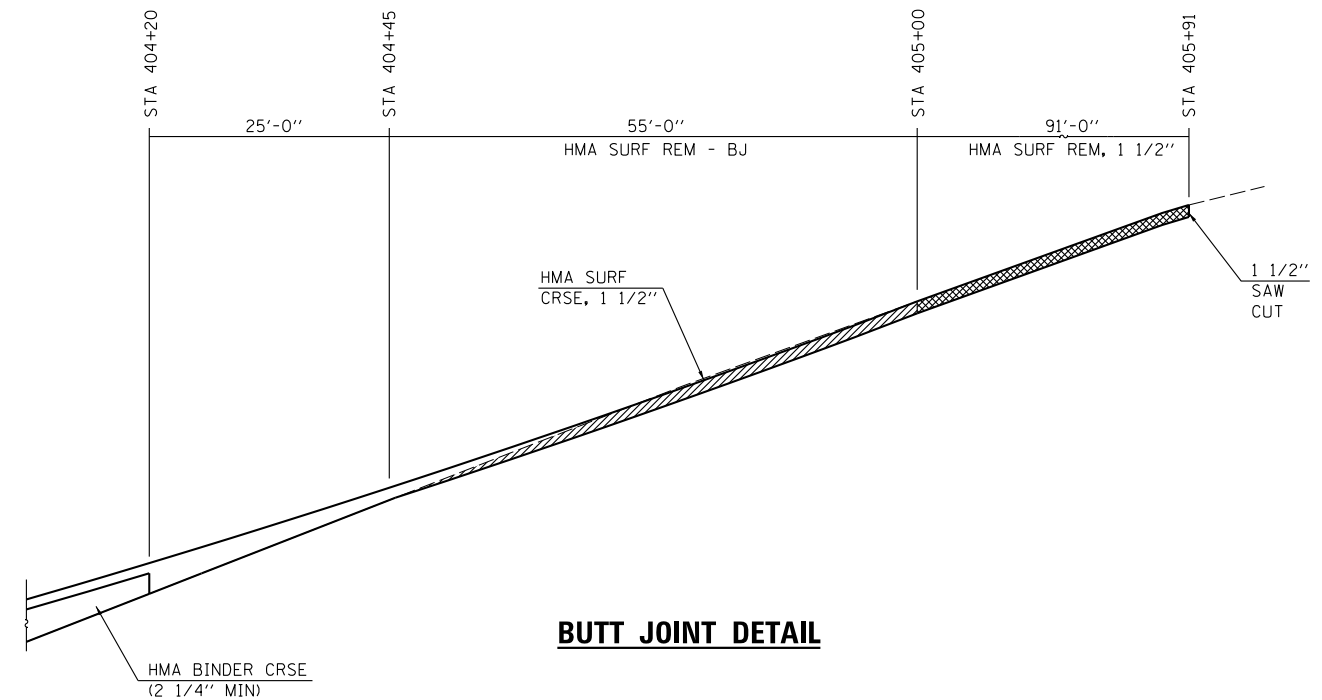


TYPICAL ENTRANCE SECTION

LOOKING WEST



BUTT JOINT DETAIL



BUTT JOINT DETAIL

USER NAME = *USER*	DESIGNED -	REVISED -
PLOT SCALE = *SCALE*	DRAWN -	REVISED -
PLOT DATE = *DATE*	CHECKED -	REVISED -
	DATE -	REVISED -



Allen Henderson & Associates, Inc.
 Civil and Structural Engineers Springfield, IL
 62703 Phone: (217)544-8033 IL Design Firm
 No. 184-001907

ENTRANCE AND BUTT JOINT DETAILS	
SCALE: NONE	SHEET NO. 1 OF 1 SHEETS
STA.	TO STA.

F.A.P. RTE.	SECTION	COUNTY	TOTAL SHEETS	SHEET NO.
574	12BR-1	FULTON	62	22
CONTRACT NO. 68732				
FED. ROAD DIST. NO. ILLINOIS FED. AID PROJECT				