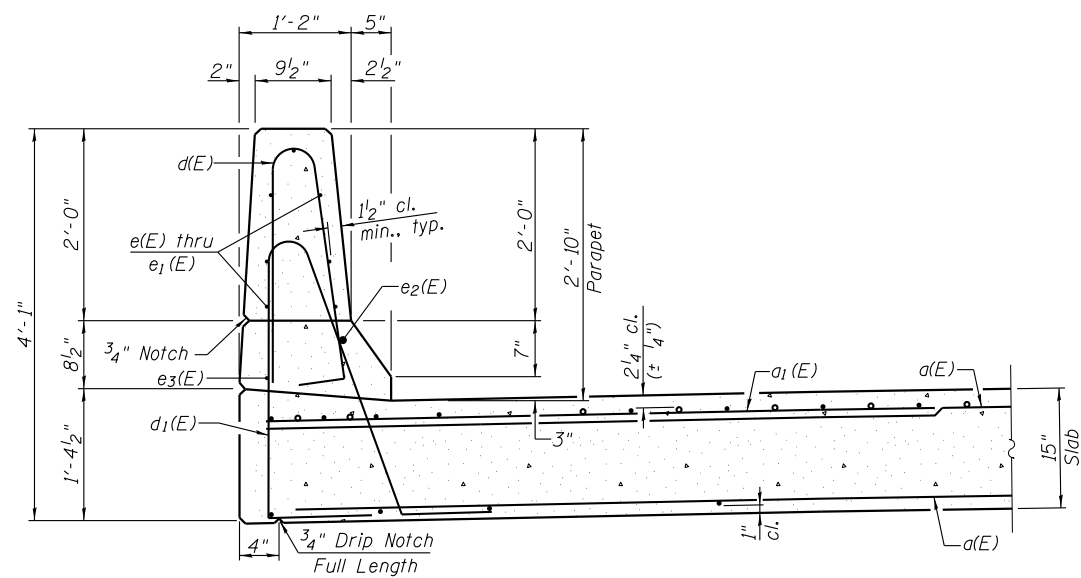


INSIDE ELEVATION OF PARAPET



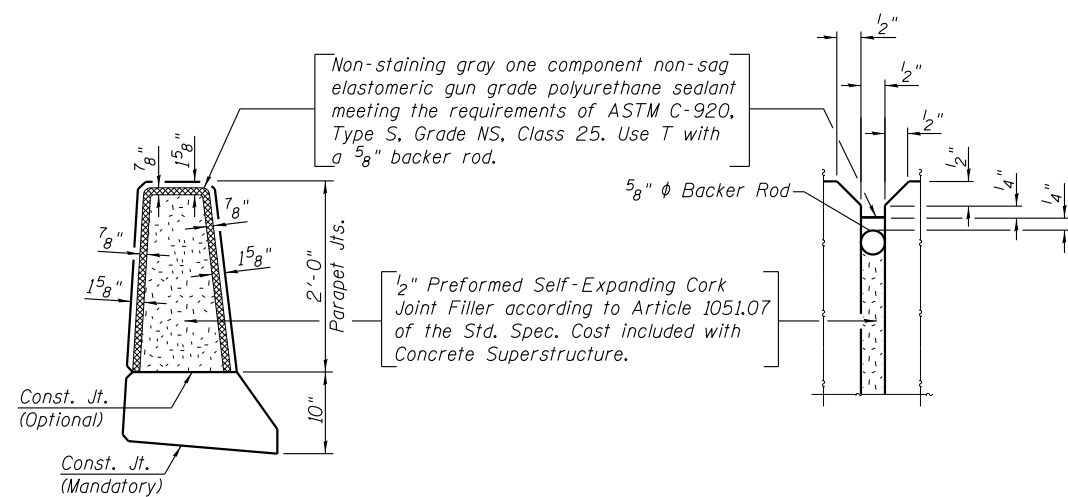
SECTION THRU PARAPET

MIN BAR LAP
(Parapet)
#4 = 2'-0"
#8 = 5'-2"

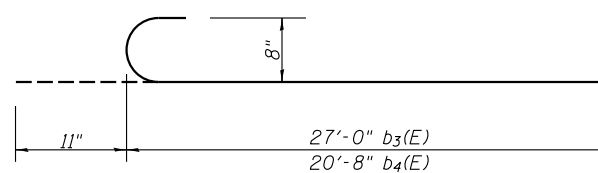
SUPERSTRUCTURE BILL OF MATERIAL

Bar	No.	Size	Length	Shape
a(E)	272	#5	17'-3"	—
a ₁ (E)	102	#6	6'-6"	—
b(E)	72	#5	15'-0"	—
b ₁ (E)	72	#8	30'-8"	—
b ₂ (E)	68	#8	15'-8"	—
b ₃ (E)	60	#8	27'-11"	U
b ₄ (E)	60	#8	21'-7"	U
b ₅ (E)	30	#8	32'-4"	—
b ₆ (E)	30	#8	18'-10"	—
d(E)	164	#5	5'-7"	⌋
d ₁ (E)	164	#5	7'-11"	⌋
e(E)	56	#4	11'-10"	—
e ₁ (E)	28	#4	12'-11"	—
e ₂ (E)	8	#8	23'-10"	—
e ₃ (E)	6	#4	26'-11"	—
s(E)	72	#5	5'-10"	~
s ₁ (E)	72	#5	8'-1"	~
Reinforcement Bars, Epoxy Coated		Lbs.	32440	
Concrete Superstructure		Cu. Yds.	146.4	

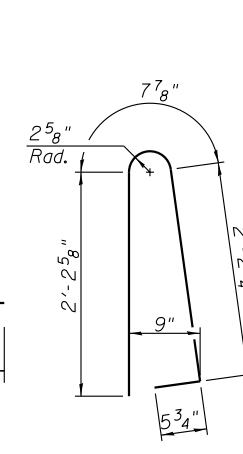
Bars indicated thus 1 x 3 - #7 etc. indicates 1 line of bars with 3 lengths per line.



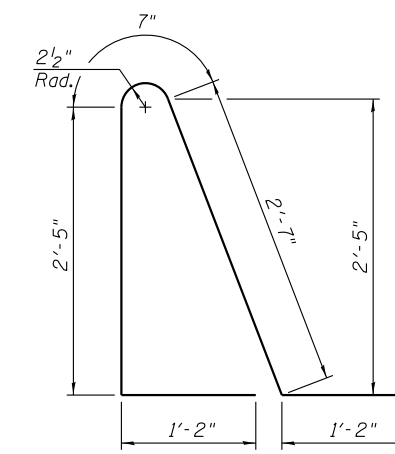
PARAPET JOINT DETAILS



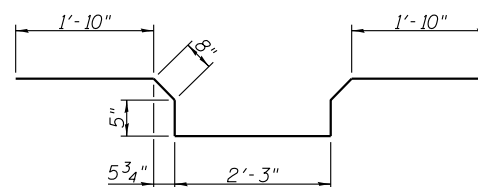
BAR b₃(E) & b₄(E)



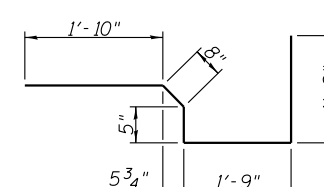
BAR d(E)



BAR d₁(E)



BAR s₁(E)



BAR s(E)

PI-I-D

7-1-10

FILE NAME =	USER NAME =	DESIGNED -	REVISED -
		CHECKED -	REVISED -
		DRAWN -	REVISED -
		CHECKED -	REVISED -



Allen Henderson & Associates, Inc.
Civil and Structural Engineers Springfield, IL
62703 Phone: (217)544-8033 IL Design Firm
No. 184-001907

SUPERSTRUCTURE DETAILS
STRUCTURE NO. 029-0072

SHEET NO. 9 OF 19 SHEETS

F.A.P. RTE.	SECTION	COUNTY	TOTAL SHEETS	SHEET NO.
547	12BR-1	FULTON	62	32
CONTRACT NO. 68732				
ILLINOIS FED. AID PROJECT				