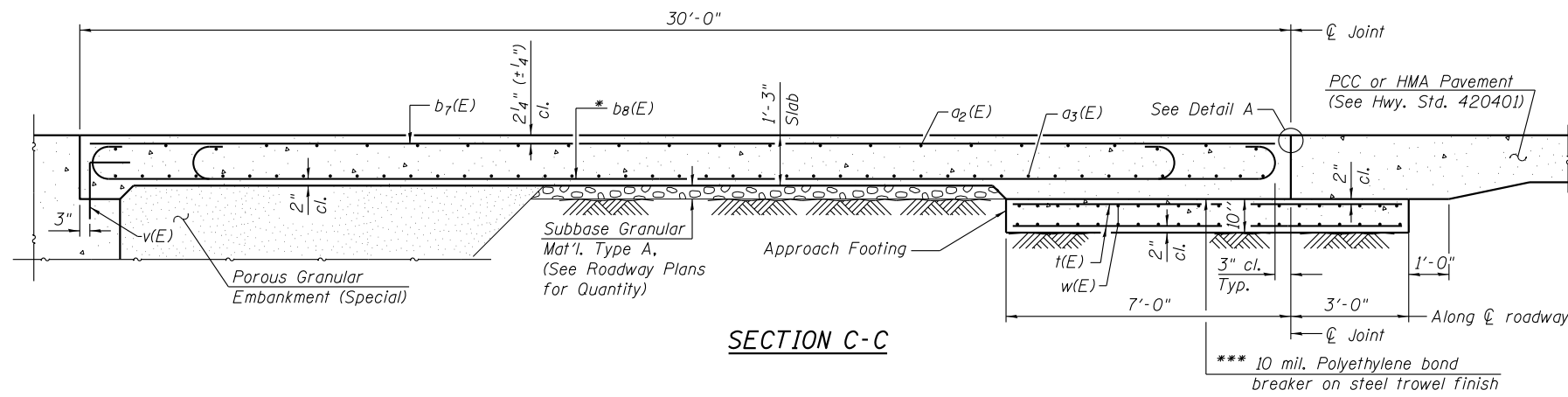
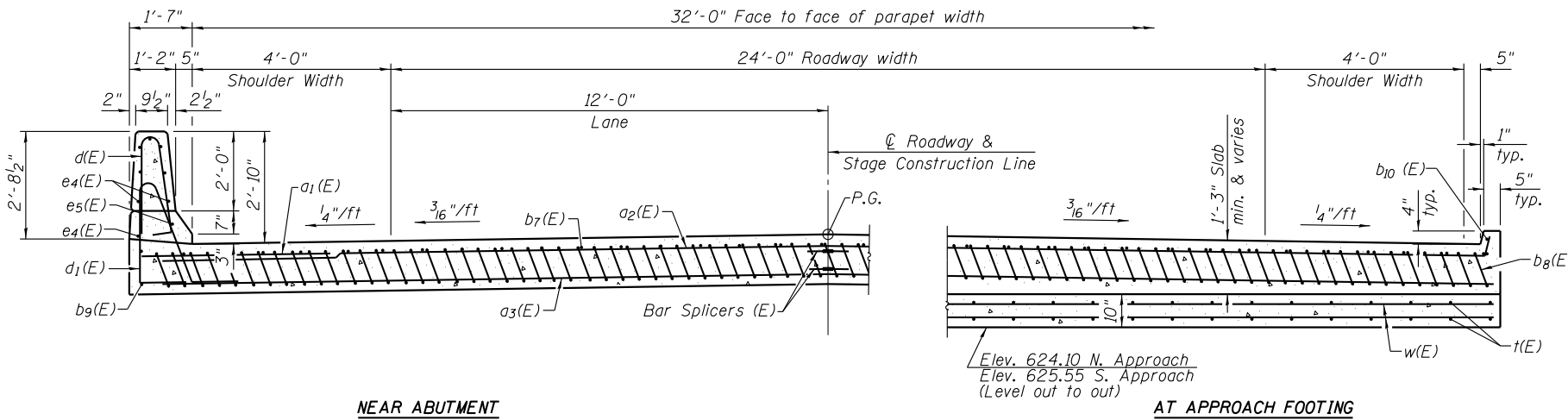


Notes:
 See sheet 10 of 19 for Detail A and View B-B.
 Approach slab and parapet concrete shall be paid for as Concrete Superstructure.
 Approach footing concrete shall be paid for as Concrete Structures.
 Reinforcement shall be paid for as Reinforcement Bars, Epoxy Coated.
 For v(E) bar details, see sheets 12 & 13 of 19.
 The approach footing maximum applied service bearing pressure (Qmax) = 2.0 ksf.
 For Bar Splicer details, see sheet 17 of 19.
 Cost of excavation for approach footing included with Concrete Structures.
 For Porous Granular Embankment (Special) and drainage treatment details, see sheet 2 of 19.
 For additional parapet details, see sheet 9 of 19.



SECTION C-C

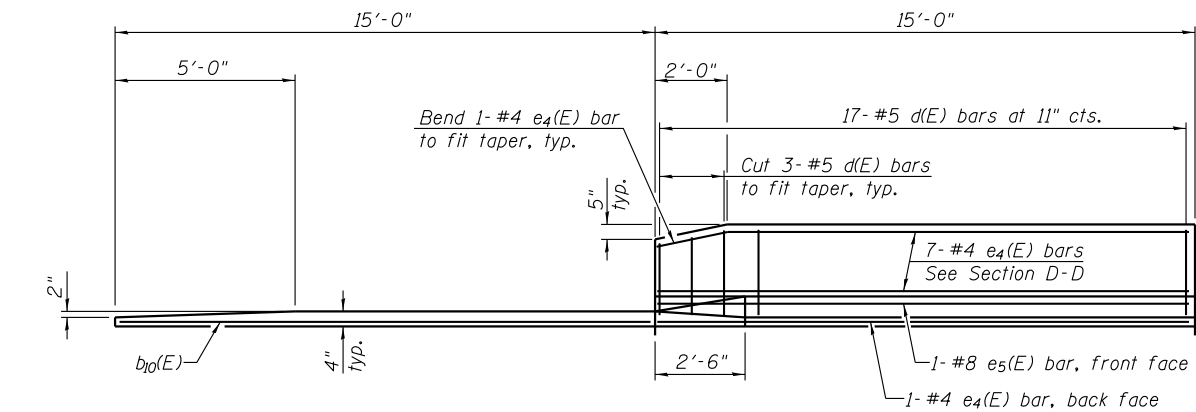


NEAR ABUTMENT

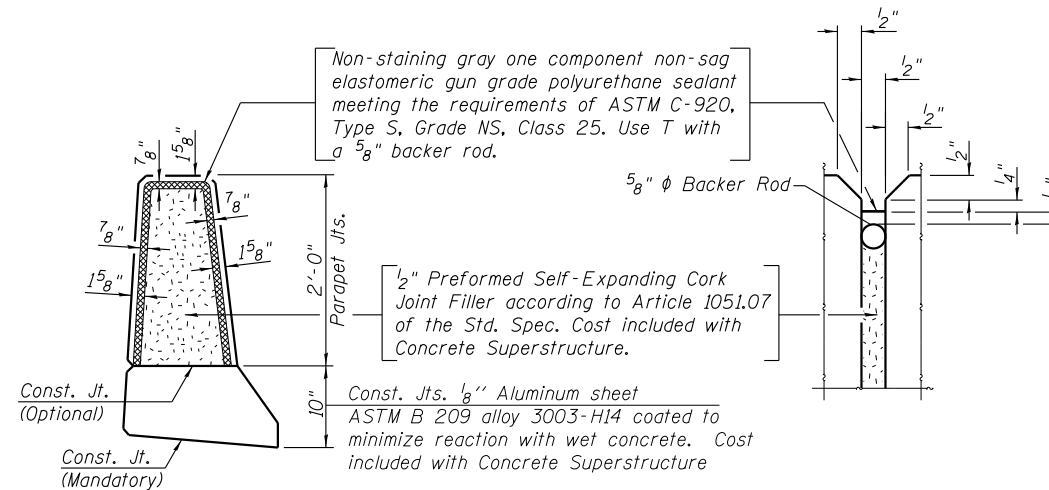
SECTION D-D

(See Plan for dimensions not shown)

AT APPROACH FOOTING



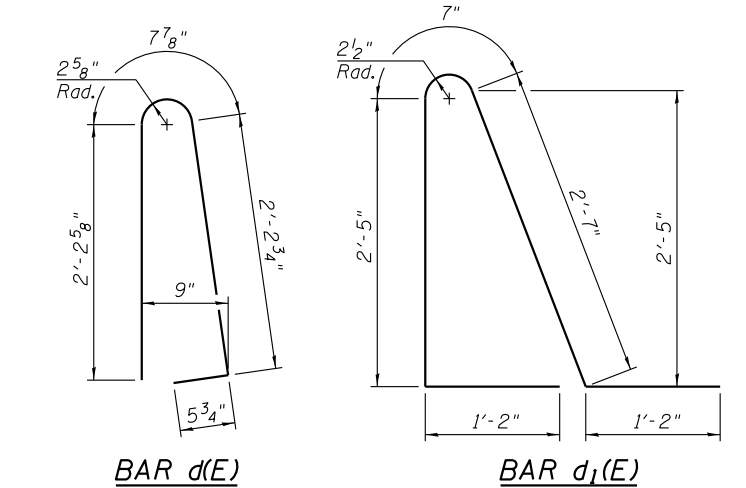
VIEW E-E



PARAPET JOINT DETAILS

* Tilt #9 b8(E) bars as required to maintain clearance.

*** Cost included with Concrete Superstructure.

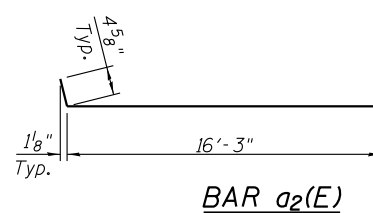


BAR d(E)

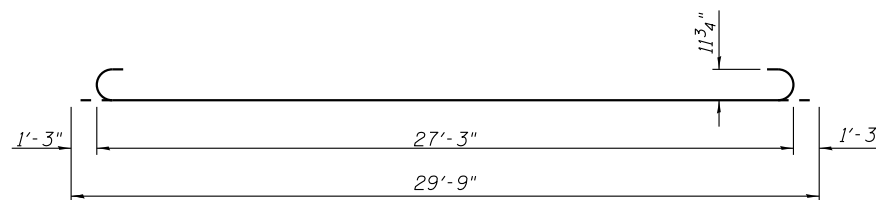
BAR d1(E)

TWO APPROACHES
 BILL OF MATERIAL

| Bar | No. | Size | Length | Shape |
|----------------------------------|-----|---------|--------|-------|
| a1(E) | 48 | #6 | 6'-6" | — |
| a2(E) | 100 | #4 | 16'-8" | — |
| a3(E) | 184 | #5 | 16'-4" | — |
| b7(E) | 52 | #4 | 29'-8" | — |
| b8(E) | 160 | #9 | 29'-9" | — |
| b9(E) | 4 | #4 | 14'-8" | — |
| b10(E) | 4 | #4 | 14'-8" | — |
| d(E) | 68 | #5 | 5'-7" | — |
| d1(E) | 68 | #5 | 7'-11" | — |
| e4(E) | 32 | #4 | 14'-8" | — |
| e5(E) | 4 | #8 | 14'-8" | — |
| t(E) | 136 | #4 | 9'-8" | — |
| w(E) | 160 | #5 | 16'-4" | — |
| Concrete Superstructure | | Cu. Yd. | 106.4 | |
| Concrete Structures | | Cu. Yd. | 20.9 | |
| Reinforcement Bars, Epoxy Coated | | Pound | 27050 | |



BAR a2(E)



BAR b8(E)

BA-0 7-1-10

(Sheet 2 of 2)

| | | | | | | | | | | | |
|-------------|-------------|--------------|----------|---|---|---------------------------|---------|--------|--------------|-----------|--|
| FILE NAME = | USER NAME = | DESIGNED - | REVISD - | Allen Henderson & Associates, Inc. Civil and Structural Engineers Springfield, IL 62703 Phone: (217)544-8033 IL Design Firm No. 184-001907 | BRIDGE APPROACH SLAB DETAILS STRUCTURE NO 029-0072 | F.A.P. RTE. | SECTION | COUNTY | TOTAL SHEETS | SHEET NO. | |
| | | CHECKED - | REVISD - | | | 574 | 12BR-1 | FULTON | 62 | 34 | |
| | | PLOT SCALE = | REVISD - | | | CONTRACT NO. 68732 | | | | | |
| | | PLOT DATE = | REVISD - | | | SHEET NO. 11 OF 19 SHEETS | | | | | |

ILLINOIS FED. AID PROJECT