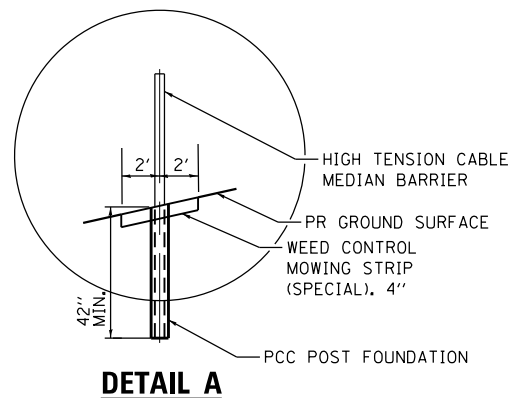
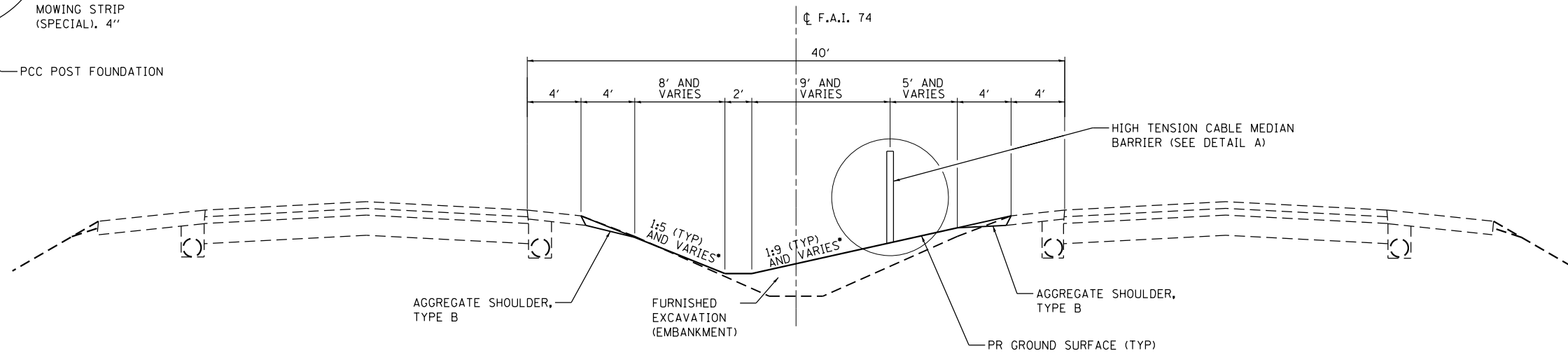


① PROPOSED TYPICAL SECTION

F.A.I. ROUTE 74
 STA 1758+89 TO STA 1773+23
 STA 1858+32 TO STA 1875+40
 STA 1920+92 TO STA 1928+08
 STA 1930+49 TO STA 1934+70
 STA 1936+39 TO STA 1941+75
 STA 1972+11 TO STA 1989+00
 STA 1996+10 TO STA 2000+57
 STA 2052+73 TO STA 2139+45
 STA 2154+22 TO STA 2174+00
 STA 2214+95 TO STA 2231+37
 BRIDGE OMISSION STA 1989+54 TO STA 1995+57
 BRIDGE OMISSION STA 2202+09 TO STA 2204+60
 BRIDGE OMISSION STA 2213+02 TO STA 2214+49



DETAIL A



② PROPOSED TYPICAL SECTION

F.A.I. ROUTE 74
 STA 1774+40 TO STA 1825+80
 STA 1827+52 TO STA 1857+33
 STA 1902+69 TO STA 1911+98
 STA 1913+76 TO STA 1916+85
 STA 1943+35 TO STA 1970+35
 STA 2039+14 TO STA 2051+58
 STA 2141+00 TO STA 2152+50
 STA 2175+10 TO STA 2201+69
 BRIDGE OMISSION STA 1751+00 TO STA 1758+41
 BRIDGE OMISSION STA 1876+20 TO STA 1878+94
 BRIDGE OMISSION STA 1890+58 TO STA 1891+71
 BRIDGE OMISSION STA 1899+88 TO STA 1902+24
 BRIDGE OMISSION STA 2032+73 TO STA 2038+99

- NOTES:
1. POST AND ANCHORAGE FOR THE HIGH TENSION CABLE MEDIAN BARRIER, PER MANUFACTURER'S SPECIFICATIONS.
 2. GEOMETRY OF ROADWAY PAVEMENT AND OUTSIDE DITCHES IS APPROXIMATE AND IS SHOWN FOR INFORMATION ONLY.
 3. EXISTING SUPERELEVATION IS NOT SHOWN FOR PAVEMENT.
 - *4. SEE CROSS SECTION SHEETS
 5. NUMBERED SECTIONS ARE SHOWN IN PLAN VIEW ON SHEETS 19 TO 51 .

USER NAME = jcracker	DESIGNED - BAR	REVISED -
	DRAWN - MK	REVISED -
PLOT SCALE = 10.0000' / in.	CHECKED - RB	REVISED -
PLOT DATE = 7/31/2012	DATE - 08/02/2012	REVISED -

STATE OF ILLINOIS
DEPARTMENT OF TRANSPORTATION

PROPOSED TYPICAL SECTIONS			
SCALE:	SHEET 2	OF 3	SHEETS
	STA.		TO STA.

F.A.I. RTE.	SECTION	COUNTY	TOTAL SHEETS	SHEET NO.
74	MEDIAN CABLE 2012-3	VERMILION	232	9
CONTRACT NO. 70968			ILLINOIS FED. AID PROJECT	