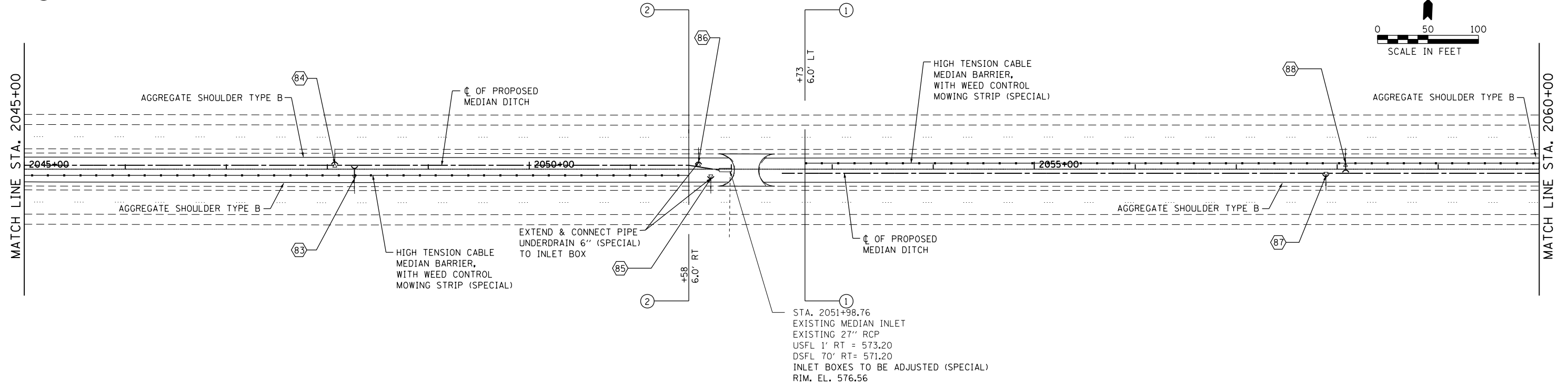
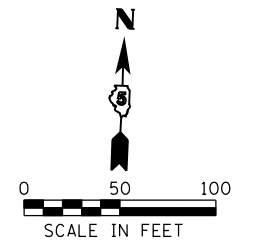
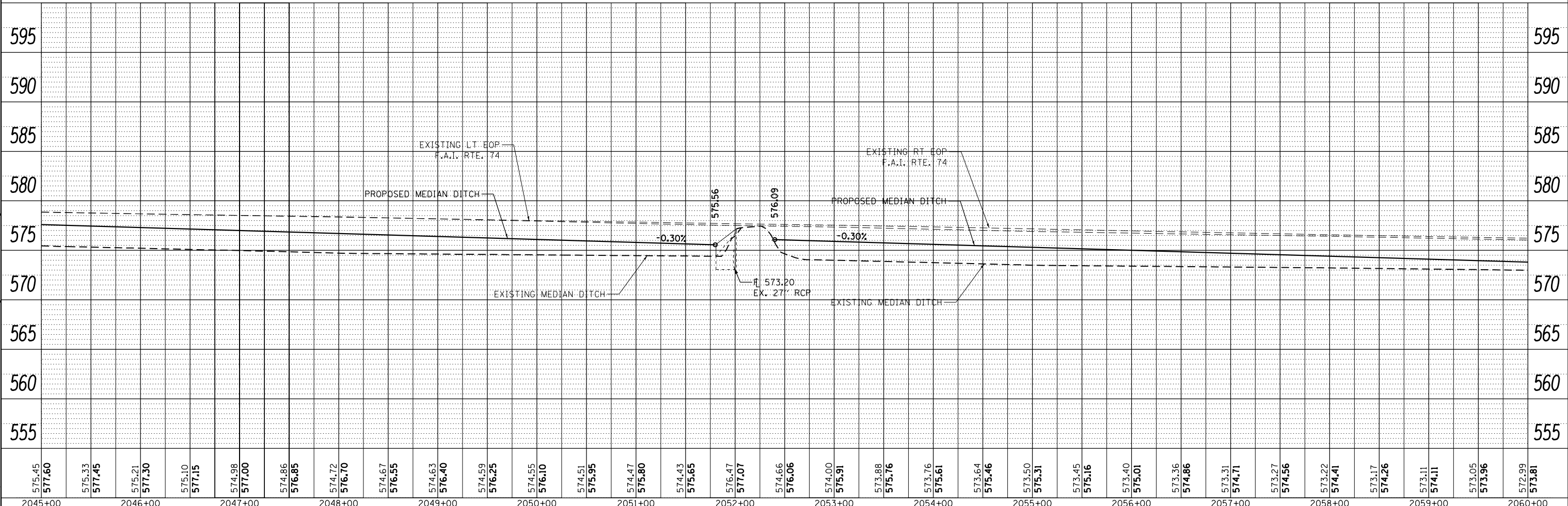


*** DENOTES PIPE UNDERDRAINS, 4" (SPECIAL) AND PIPE UNDERDRAINS, 6" (SPECIAL), SEE SCHEDULE

XX DENOTES PROPOSED TYPICAL SECTION, SEE PROPOSED TYPICAL SECTION SHEETS



SEC. 15, T19N, R11W, 2ND P.M.



PLAN	SURVEYED	DATE
	PLOTTED	
	ALIGNED	
	CHECKED	
	FILED	
	NO.	

PROFILE	SURVEYED	DATE
	PLOTTED	
	GRADES CHECKED	
	STRUCTURE	
	NOTATIONS	
	NO.	

FILE NAME = J:\Transportation\2011\150 IDOT P1B 15B-024-330 Sheet Drawings\0570168-S11-Plan-21.dgn



USER NAME = Mfoltz	DESIGNED - JWC	REVISED -
	DRAWN - JWC	REVISED -
PLOT SCALE = 100.0000' / in.	CHECKED - JDS/MJF	REVISED -
PLOT DATE = 7/31/2012	DATE - 8/03/2012	REVISED -

STATE OF ILLINOIS
DEPARTMENT OF TRANSPORTATION

PLAN & PROFILE
F.A.I. 74

SCALE: 1"=50' SHEET NO. 21 OF 33 SHEETS STA. 2045+00.00 TO STA. 2060+00.00

F.A.I. RTE.	SECTION	COUNTY	TOTAL SHEETS	SHEET NO.
74	MEDIAN CABLE 2012-3	VERMILION	232	39
CONTRACT NO. 70968				
ILLINOIS FED. AID PROJECT				