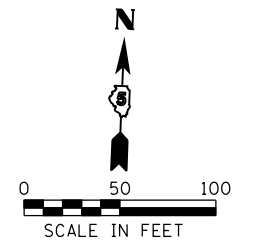


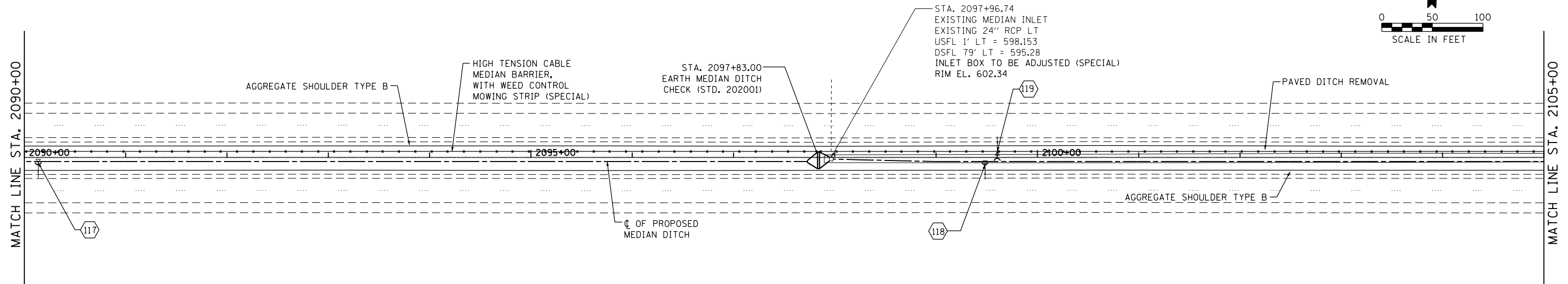
*** DENOTES PIPE UNDERDRAINS, 4" (SPECIAL) AND PIPE UNDERDRAINS, 6" (SPECIAL), SEE SCHEDULE

XX DENOTES PROPOSED TYPICAL SECTION, SEE PROPOSED TYPICAL SECTION SHEETS

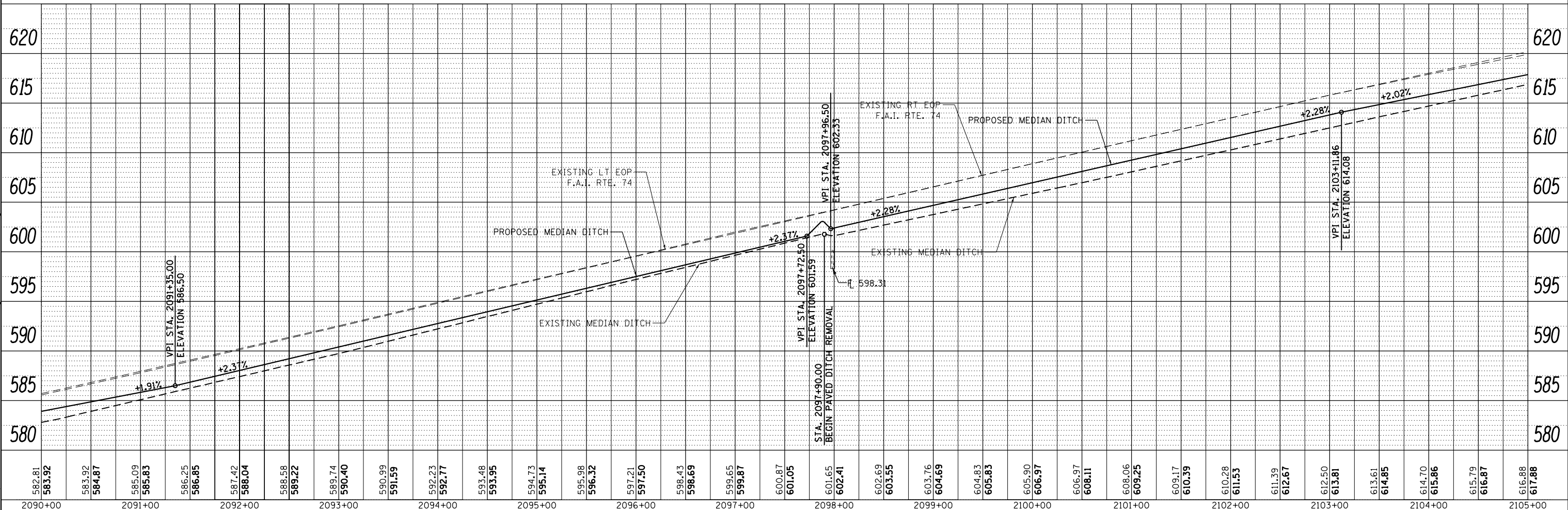


PLAN	SURVEYED	DATE
	PLOTTED	
	NOTE BOOK	
	NO.	
	FILE NAME	

PROFILE	SURVEYED	DATE
	GRADES CHECKED	
	STRUCTURE NOTATIONS OK'D	
	NO.	
	FILE NAME	



SEC. 14, T19N, R11W, 2ND P.M.



582.81	583.92	583.92	584.87	585.09	585.83	586.25	586.85	587.42	588.04	588.58	589.22	589.74	590.40	590.99	591.59	592.23	592.77	593.48	593.95	594.73	595.14	595.98	596.32	597.21	597.50	598.43	598.69	599.65	599.87	600.87	601.05	601.65	602.41	602.69	603.55	603.76	604.69	604.83	605.83	605.90	606.97	606.97	608.11	608.06	609.25	609.17	610.39	610.28	611.53	611.39	612.67	612.50	613.81	613.61	614.85	614.70	615.86	615.79	616.87	616.88	617.88
2090+00	2091+00	2092+00	2093+00	2094+00	2095+00	2096+00	2097+00	2098+00	2099+00	2100+00	2101+00	2102+00	2103+00	2104+00	2105+00																																														



USER NAME = Mfultz	DESIGNED - JWC	REVISED -
	DRAWN - JWC	REVISED -
PLOT SCALE = 100.0000' / 1"	CHECKED - JDS/MJF	REVISED -
PLOT DATE = 7/31/2012	DATE - 8/03/2012	REVISED -

STATE OF ILLINOIS
DEPARTMENT OF TRANSPORTATION

PLAN & PROFILE
F.A.I. 74

SCALE: 1"=50' SHEET NO. 24 OF 33 SHEETS STA. 2090+00.00 TO STA. 2105+00.00

F.A.I. RTE.	SECTION	COUNTY	TOTAL SHEETS	SHEET NO.
74	MEDIAN CABLE 2012-3	VERMILION	232	42
CONTRACT NO. 70968				

ILLINOIS FED. AID PROJECT

FILE NAME = J:\Transportation\2011\119 DOT P1B 108-024-308 Sheet Drawings\0578168-S11-Plan-24.dgn