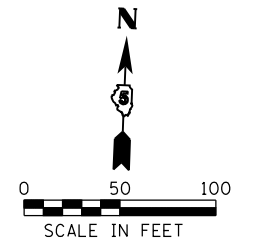


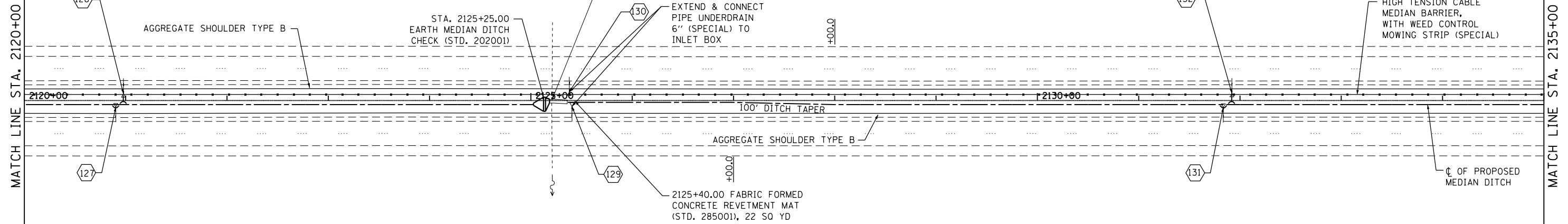
*** DENOTES PIPE UNDERDRAINS, 4" (SPECIAL) AND PIPE UNDERDRAINS, 6" (SPECIAL), SEE SCHEDULE

XX DENOTES PROPOSED TYPICAL SECTION, SEE PROPOSED TYPICAL SECTION SHEETS

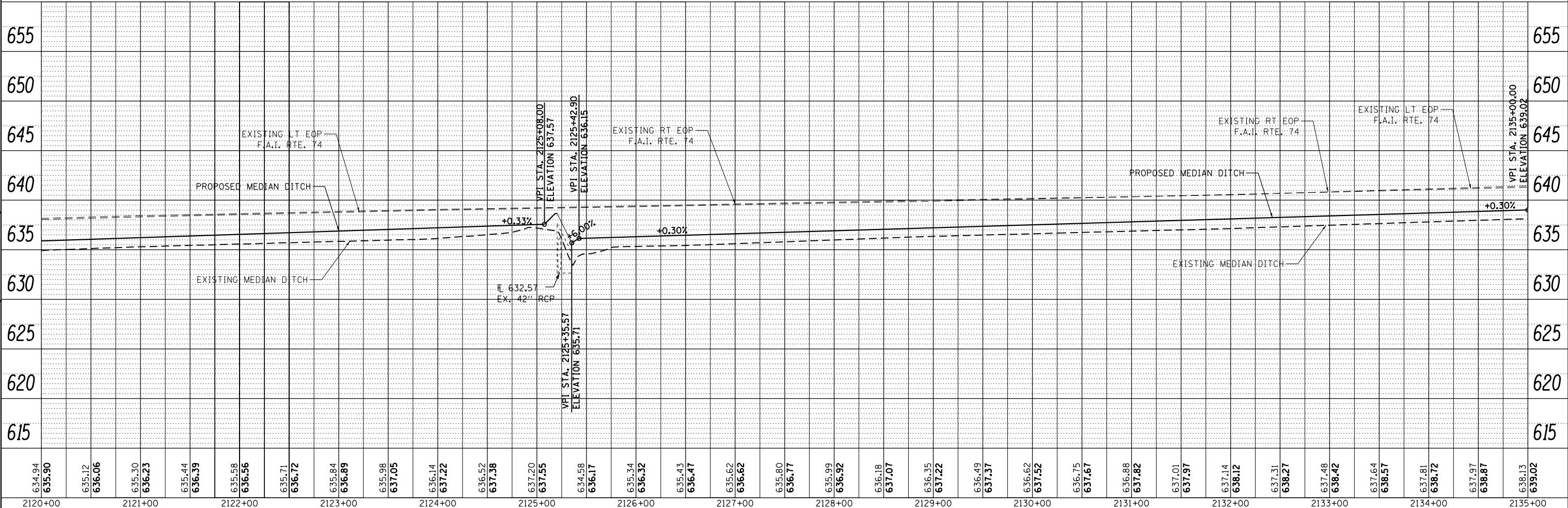


PLAN	SURVEYED	DATE
	PLOTTED	BY
	NOTE BOOK	
	NO.	

PROFILE	SURVEYED	DATE
	PLOTTED	BY
	NOTE BOOK	
	NO.	



SEC. 14, T19N, R11W, 2ND P.M.



634.94	635.90	635.12	636.06	635.30	636.23	635.44	636.39	635.58	636.56	635.71	636.72	635.84	636.89	635.98	637.05	636.14	637.22	636.52	637.38	637.20	637.55	634.58	636.17	635.34	636.32	635.43	636.47	635.62	636.62	635.80	636.77	635.99	636.92	636.18	637.07	636.35	637.22	636.49	637.37	636.62	637.52	636.75	637.67	636.88	637.82	637.01	637.97	637.14	638.12	637.31	638.27	637.48	638.42	637.64	638.57	637.81	638.72	637.97	638.87	638.13	639.02
2120+00	2121+00	2122+00	2123+00	2124+00	2125+00	2126+00	2127+00	2128+00	2129+00	2130+00	2131+00	2132+00	2133+00	2134+00	2135+00																																														



USER NAME = Mfoltz	DESIGNED - JWC	REVISED -
	DRAWN - JWC	REVISED -
PLOT SCALE = 100.0000' / in.	CHECKED - JDS/MJF	REVISED -
PLOT DATE = 7/31/2012	DATE = 8/03/2012	REVISED -

STATE OF ILLINOIS
DEPARTMENT OF TRANSPORTATION

PLAN & PROFILE
F.A.I. 74

SCALE: 1"=50' SHEET NO. 26 OF 33 SHEETS STA. 2120+00.00 TO STA. 2135+00.00

F.A.I. RTE.	SECTION	COUNTY	TOTAL SHEETS	SHEET NO.
74	MEDIAN CABLE 2012-3	VERMILION	232	44
CONTRACT NO. 70968				
ILLINOIS FED. AID PROJECT				

FILE NAME = J:\Transportation\2011\1100 DOT P1B 198-024-330 Sheet Drawings\0570168-SH-Plan-26.dgn