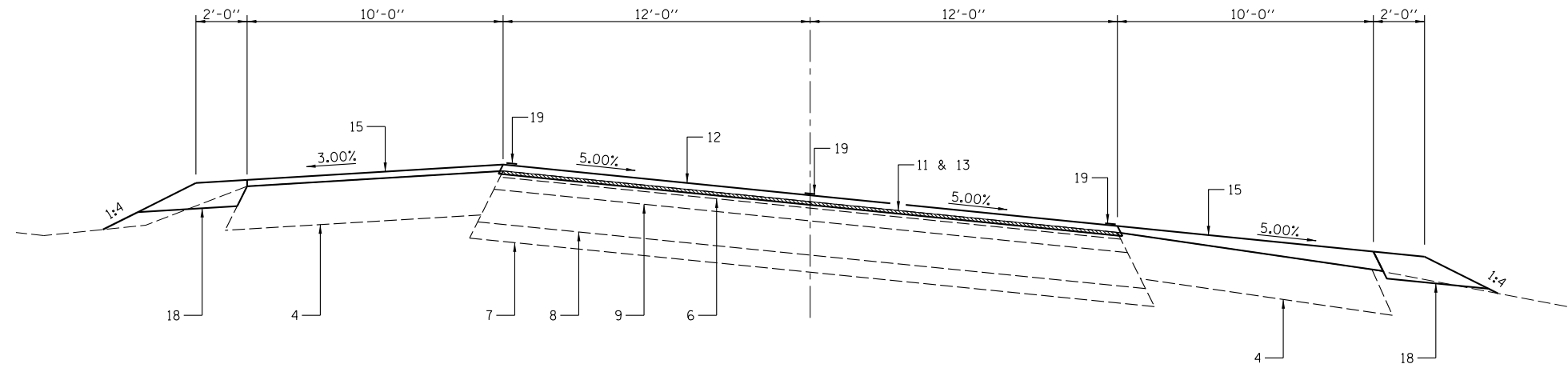


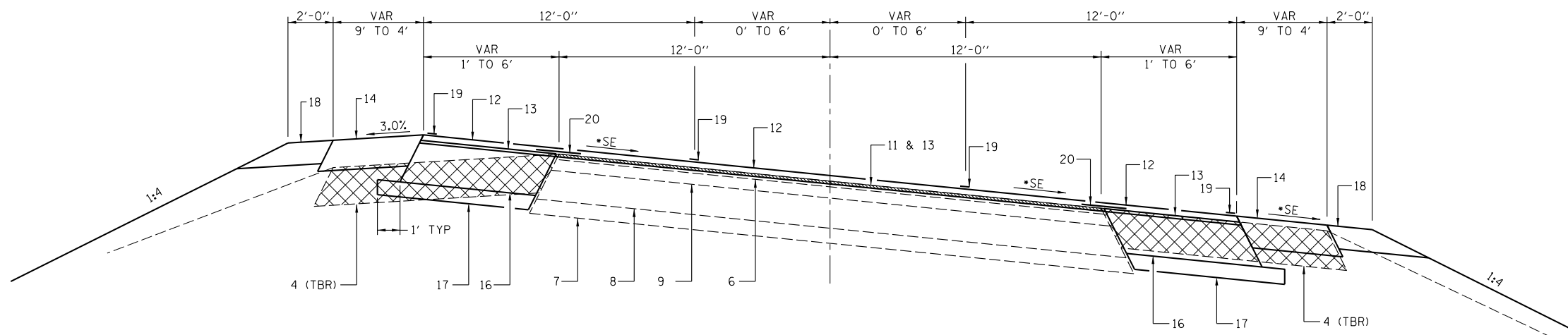
**SUGGESTED SEQUENCE OF CONSTRUCTION**

1. ERECT TRAFFIC CONTROL AND PROTECTION PER STANDARDS AND TRAFFIC CONTROL PLAN.
2. PERFORM PAVEMENT PATCHING AS DIRECTED BY ENGINEER.
3. REMOVE RAISED REFLECTIVE PAVEMENT MARKERS AND PERFORM HMA SURFACE REMOVAL, VAR DEPTH.
4. ERECT SILT FENCE.
5. PERFORM EARTH EXCAVATION, DITCH WORK FOR DRAINAGE AND TEMPORARY EROSION CONTROL ITEMS.
6. REMOVE PAVEMENT, DRIVEWAY PAVEMENT, SHOULDERS AND PIPE CULVERTS.
7. INSTALL NEW PIPE CULVERTS AND CONSTRUCT SUBBASE 4".
8. CONSTRUCT BASE COURSE, 11".
9. APPLY PRIME COATS AND CONSTRUCT HMA SHOULDERS.
10. CONSTRUCT BINDER COURSE AND HMA SURFACE COURSE.
11. CONSTRUCT INCIDENTAL HMA SURFACING.
12. INSTALL NEW RAISED REFLECTIVE PAVEMENT MARKERS AND PAVEMENT MARKINGS.
13. INSTALL SIGNAGE, ELECTRIC SERVICE AND LIGHTING.
14. PERFORM FINAL SEEDING.
15. REMOVE SHORT TERM PAVEMENT MARKINGS AND TRAFFIC CONTROL.



**PROPOSED TYPICAL SECTION #1**

STA. 1075+00 TO STA. 1075+95.16



**PROPOSED TYPICAL SECTION #2**

STA. 1075+95.16 TO STA. 1078+95.40

\* - FULL SE (5.0%)  
 STA. 1075+00.00 TO STA. 1077+32.91  
 SE TRANSITION OUT:  
 STA. 1077+32.91 TO STA. 1078+99.91 LT  
 STA. 1077+32.91 TO STA. 1078+22.83 RT

**PAVEMENT LEGEND**

- 1 - EX PCC PAVEMENT (9"-6"-9")
- 2 - EX PCC WIDENING (8")
- 3 - EX HMA SURFACE (VAR 3" TO 6 1/2")
- 4 - EX HMA SHOULDERS (8")
- 5 - EX AGG SHOULDERS
- 6 - EX HMA SURFACE COURSE (1 1/2")
- 7 - EX SUB-BASE GRANULAR MATERIAL, TYPE A (4")
- 8 - EX STABILIZED BASE COURSE (8")
- 9 - EX HMA SURFACE (3")
- 10 - EX PAVEMENT MARKINGS - LINE 5"
- 11 - PR HMA SURFACE REMOVAL, VAR DEPTH (3/4" MIN @ C)
- 12 - PR HMA SURFACE COURSE, 1 1/2"
- 13 - PR HMA LEVELING BINDER (3/4" MIN)
- 14 - PR HMA SHOULDERS, 8"
- 15 - PR HMA SHOULDERS (1 1/2" NOM)
- 16 - PR HMA BASE COURSE, 11"
- 17 - PR SUB-BASE GRANULAR MATERIAL, TYPE B 4"
- 18 - PR AGG SHOULDERS, TYPE B (6")
- 19 - PR PAVEMENT MARKING
- 20 - PR STRIP REFLECTIVE CRACK CONTROL TREATMENT

USER NAME = *USER*	DESIGNED -	REVISED -	<p>Allen Henderson &amp; Associates, Inc.                  Civil and Structural Engineers Springfield, IL                  62703 Phone: (217)544-8033 IL Design Firm                  No. 184-001907</p>	<b>TYPICAL ROADWAY SECTIONS</b>		F.A.P. RTE.	SECTION	COUNTY	TOTAL SHEETS	SHEET NO.	
PLOT SCALE = *SCALE*	DRAWN -	REVISED -				67	3 (N, L, RS-3)	CASS	64	8	
PLOT DATE = *DATE*	CHECKED -	REVISED -		SCALE: NONE		SHEET NO. 1 OF 4 SHEETS	STA.	TO STA.	CONTRACT NO. 72075		
	DATE -	REVISED -		FED. ROAD DIST. NO. ILLINOIS FED. AID PROJECT							