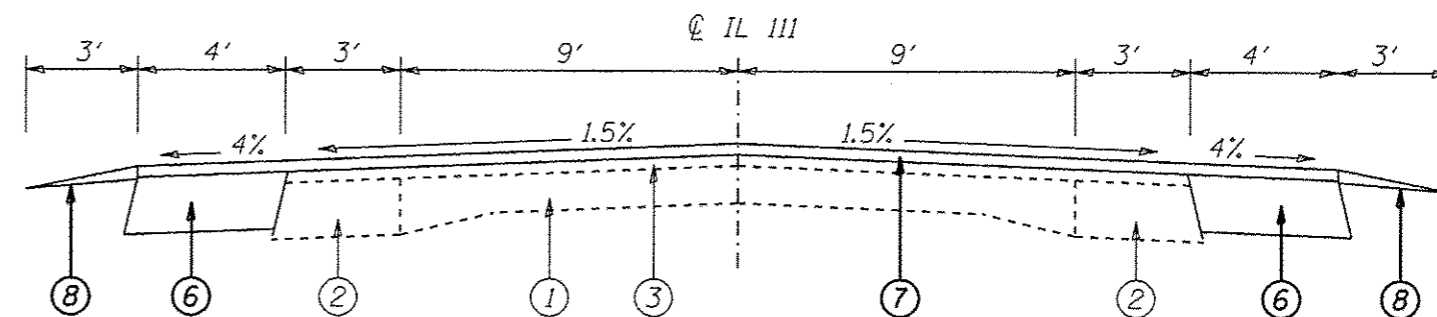
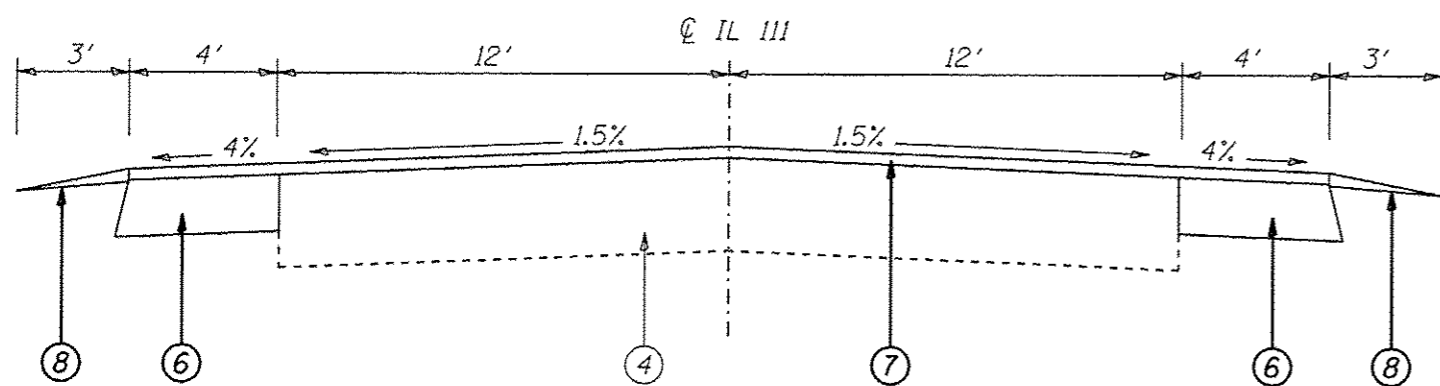


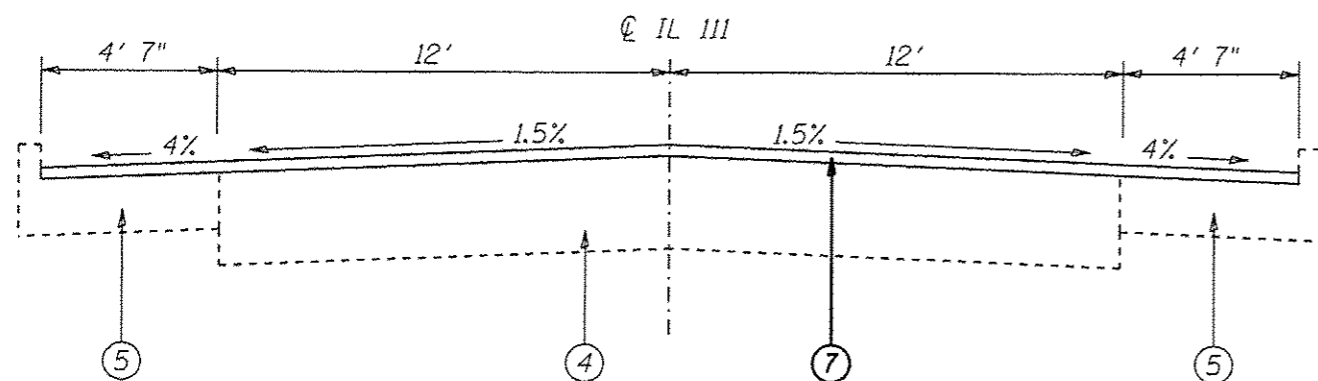
STA 1356+16.67 TO STA 1357+41.67  
STA 1367+54.50 TO STA 1368+79.50



STA 1357+41.67 TO STA 1358+71.67  
STA 1366+24.50 TO STA 1367+54.50



STA 1358+71.67 TO STA 1358+79.17  
STA 1366+16.50 TO STA 1366+24.50



STA 1358+79.17 TO STA 1358+91.17  
STA 1366+05.25 TO STA 1366+16.50

- ① EXISTING PCC PAVEMENT (9-6-9)
- ② EXISTING HMA BASE COURSE WIDENING (9")
- ③ EXISTING HMA BINDER AND SURFACE OVERLAY (VARIABLE DEPTH)
- ④ EXISTING PCC BRIDGE APPROACH PAVEMENT (13")
- ⑤ EXISTING PCC BRIDGE APPROACH SHOULDER (10")
- ⑥ PROPOSED BASE COURSE WIDENING (9")
- ⑦ PROPOSED HMA SURFACE COURSE (1-3/4")
- ⑧ PROPOSED AGGRAGATE SHOULDERS - TYPE B

STA 1358+91.17 TO STA 1366+05.25 = SN 059-0016

TYPICAL SECTIONS  
FAP 608 (IL 111)  
SECTION (126)I-1  
MACOUPIN COUNTY