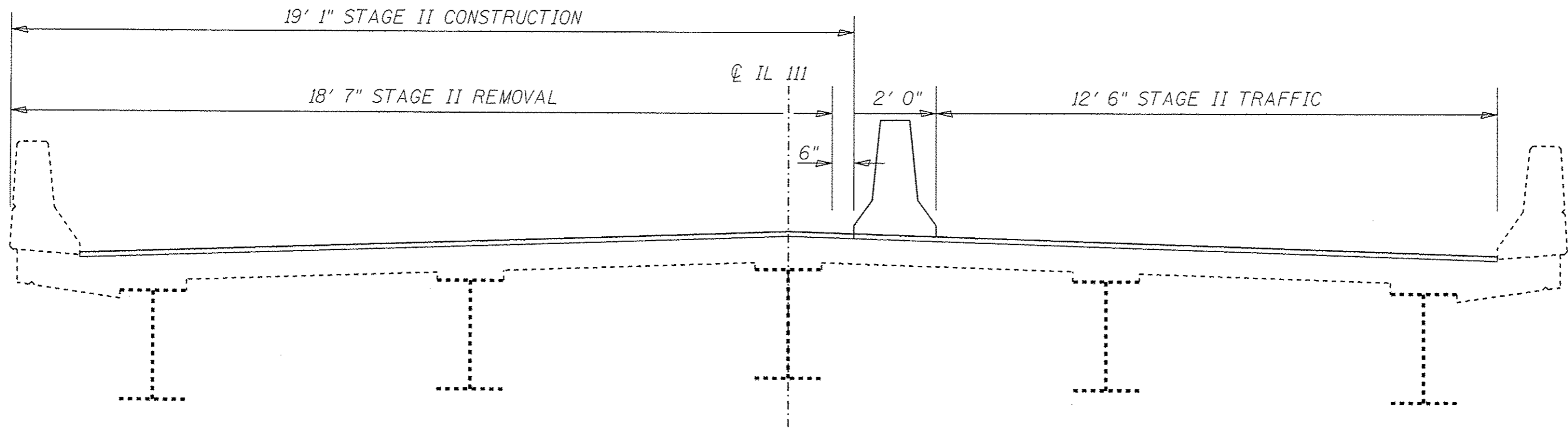


STAGE I CROSS SECTION (LOOKING SOUTH)



STAGE II CROSS SECTION (LOOKING SOUTH)

STAGING DETAIL
FAP 608 (IL 111)
SECTION (126)I-1
MACOUPIN COUNTY