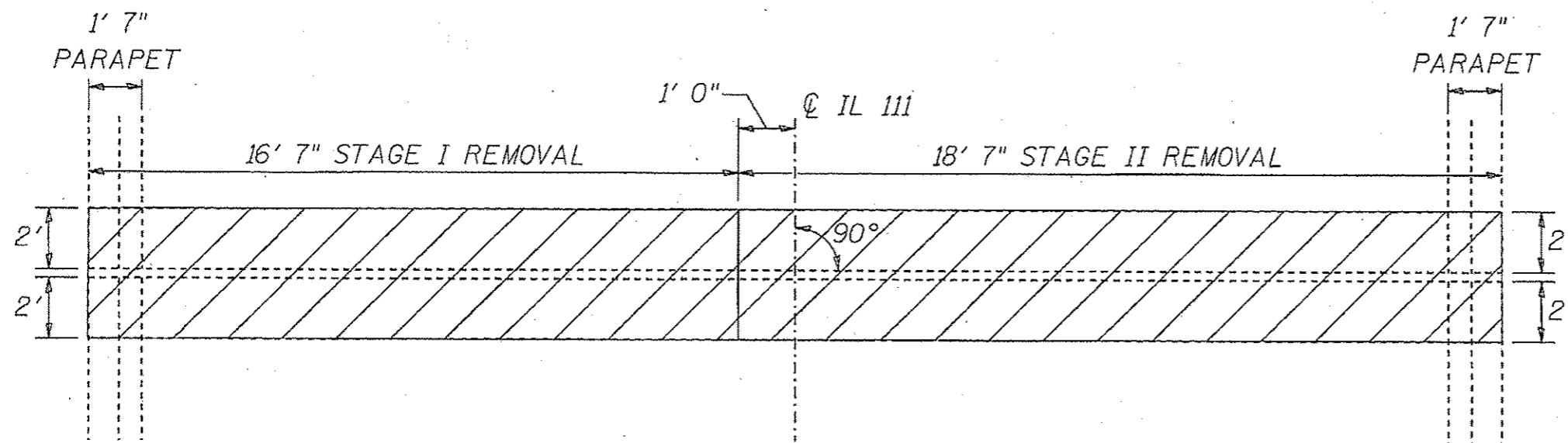


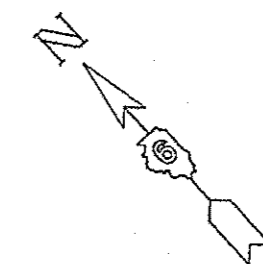
JOINT CROSS SECTION

REMOVAL AREAS	
BENT 7 AND PIER 1 TOTAL REM.	
CONCRETE REMOVAL	10.0 CU YD

NOTE: THE COST OF JOINT REMOVAL AND DISPOSAL SHALL BE INCLUDED IN THE CONTRACTOR'S BID PRICE FOR CONCRETE REMOVAL.



JOINT PLAN



BENT 7 & PIER 1 REMOVAL  
FAP 608 (IL 111)  
SECTION (126)I-1  
MACOUPIN COUNTY