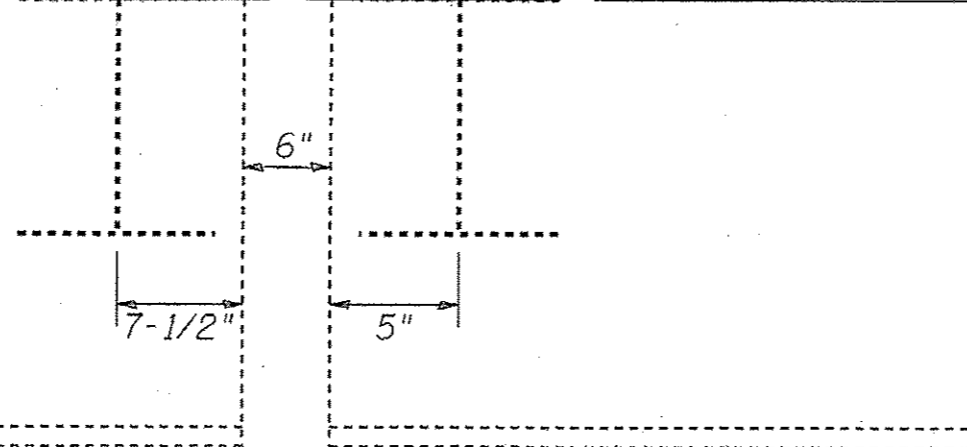


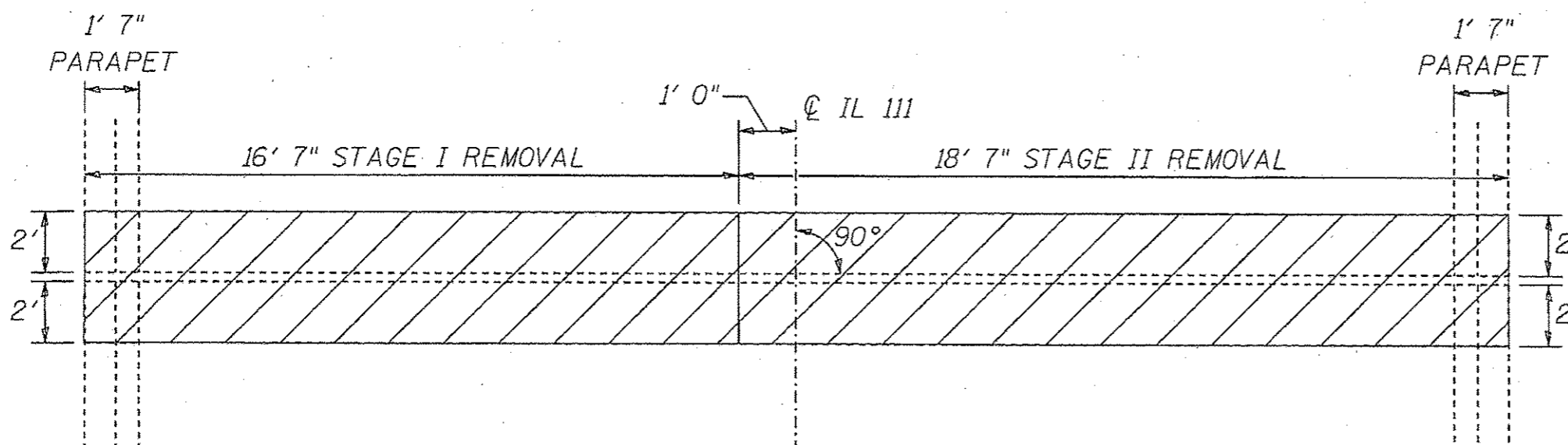
REMOVAL AREAS



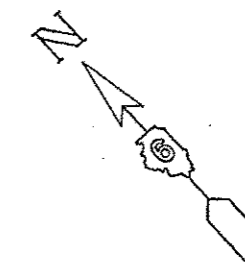
JOINT CROSS SECTION

PIER 2 REMOVAL QUANTITY	
CONCRETE REMOVAL	5.0 CU YD

NOTE: THE COST OF JOINT REMOVAL AND DISPOSAL SHALL BE INCLUDED IN THE CONTRACTOR'S BID PRICE FOR CONCRETE REMOVAL.



JOINT PLAN



PIER 2 REMOVAL DETAILS
FAP 608 (IL 111)
SECTION (126)I-1
MACOUPIN COUNTY