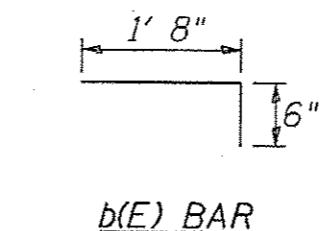
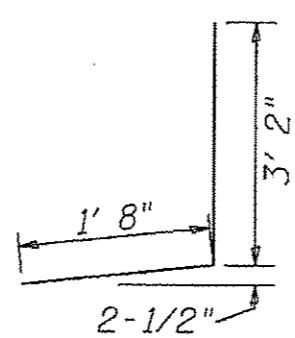


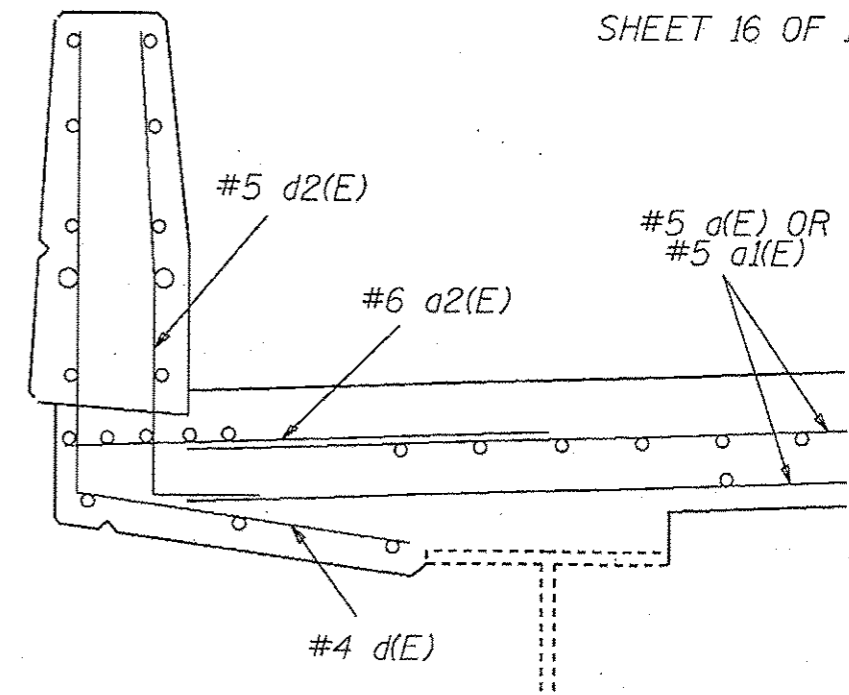
JOINT CROSS SECTION



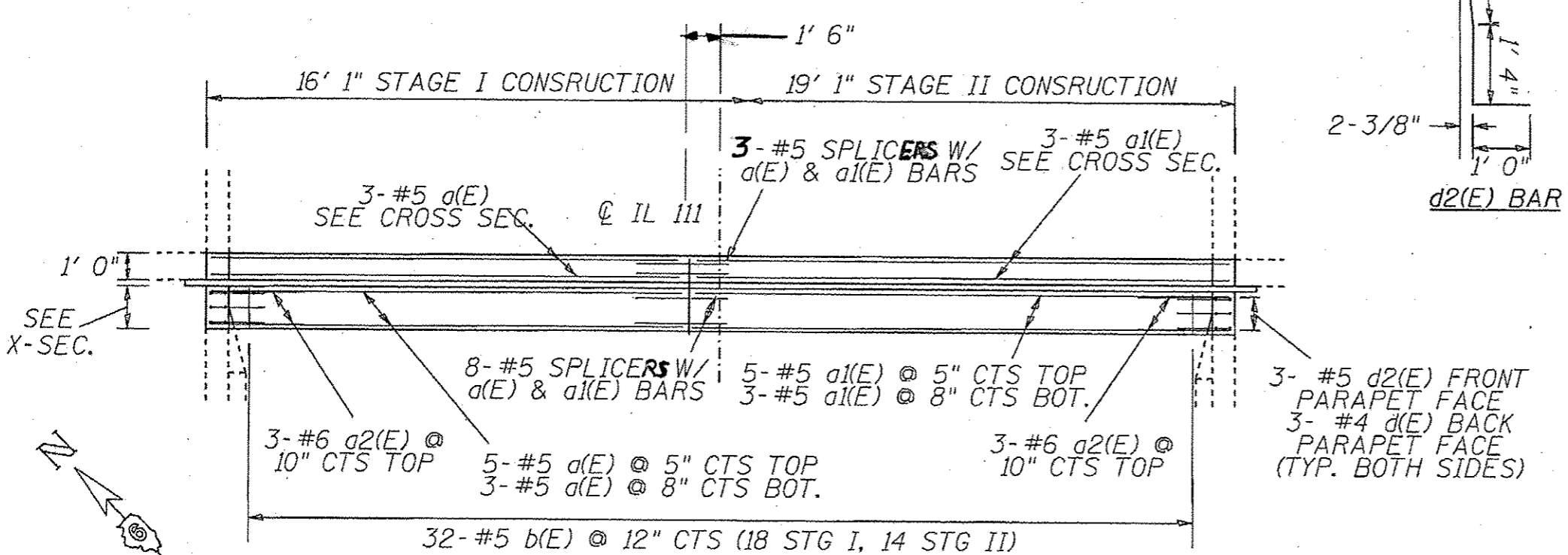
b(E) BAR



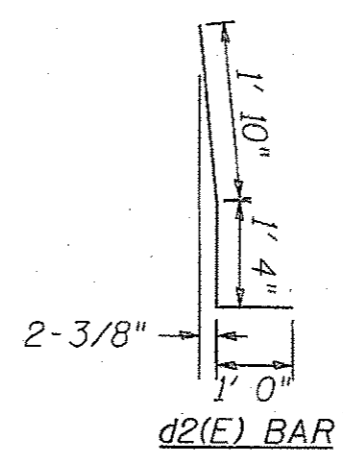
d(E) BAR



TYPICAL PARAPET CROSS SECTION



JOINT PLAN



d2(E) BAR

NORTH ABUTMENT BILL OF MATERIAL				
BAR	#	SIZE	LENGTH	SHAPE
a(E)	11	5	15' 3"	—
a1(E)	11	5	18' 3"	—
a2(E)	6	6	4' 0"	—
b(E)	32	5	2' 2"	┌
d(E)	6	4	4' 10"	└
d2(E)	6	5	4' 2"	L
REINFORCEMENT BARS - EPOXY COATED			563 LB	
BAR SPLICERS			11 EACH	
CONCRETE SUPERSTRUCTURE			5.1 CU YD	

N. ABUT. JOINT REPLACEMENT
FAP 608 (IL 111)
SECTION (126)I-1
MACOUPIN COUNTY