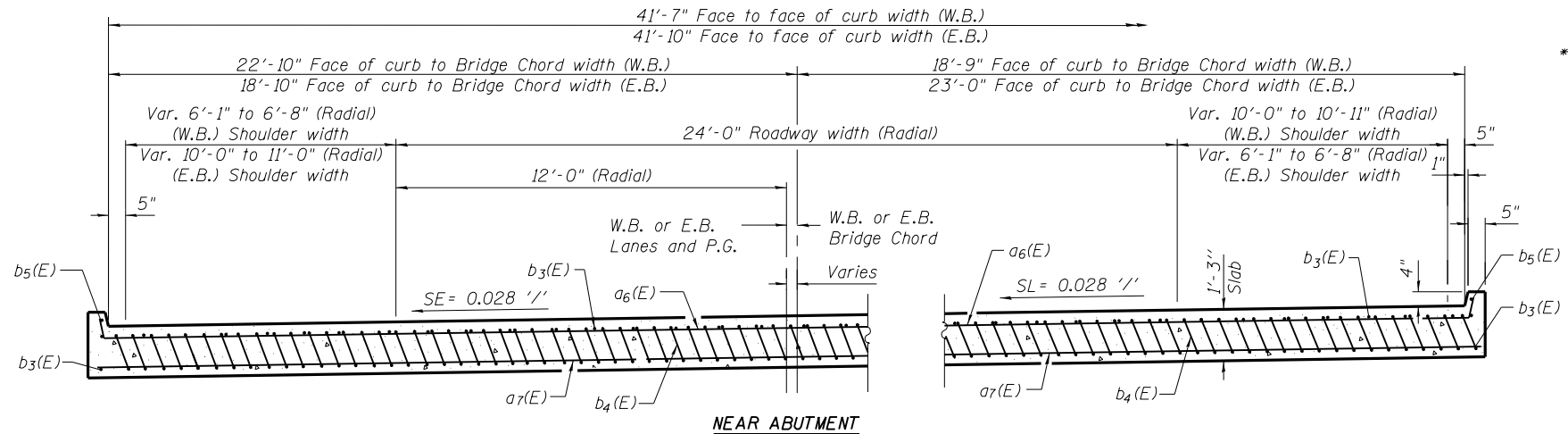


APPROACH FOOTING DIMENSIONS

Location	C	D
W.B. West Approach	7'-7 ⁵ / ₈ "	3'-3 ³ / ₄ "
W.B. East Approach	7'-9"	3'-3 ⁷ / ₈ "
E.B. West Approach	7'-7 ⁷ / ₈ "	3'-3 ³ / ₈ "
E.B. East Approach	7'-9 ¹ / ₄ "	3'-4"



* Tilt #9 b4(E) bars as required to maintain clearance.

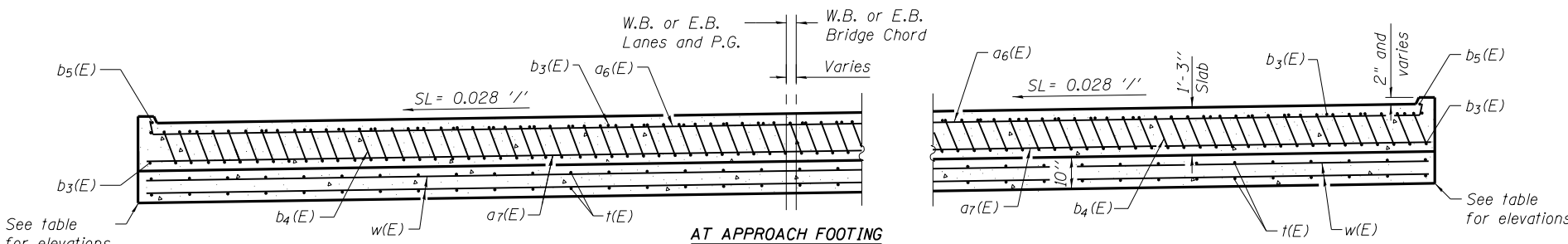
*** Cost included with Concrete Superstructure.

APPROACH FOOTING ELEVATIONS

Location	North Edge	South Edge
W.B. West Approach	553.56	552.28
W.B. East Approach	552.62	551.33
E.B. West Approach	553.54	552.25
E.B. East Approach	552.58	551.28

NOTES:

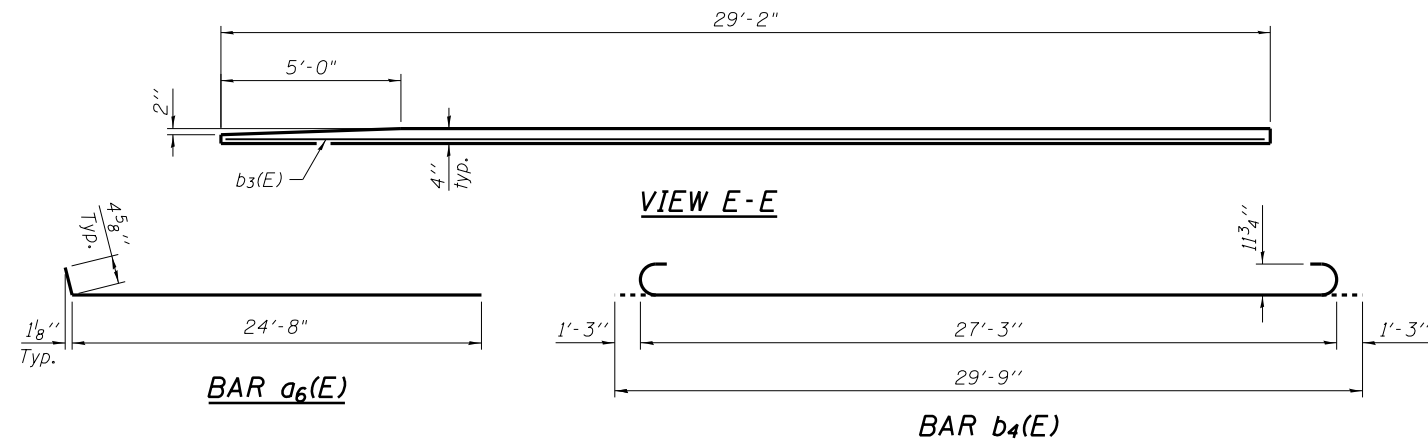
1. See sheet S-15 for Detail A and View B-B.
2. Approach slab and curb concrete shall be paid for as Concrete Superstructure.
3. Approach footing concrete shall be paid for as Concrete Structures.
4. Reinforcement shall be paid for as Reinforcement Bars, Epoxy Coated.
5. For v(E) bar details, see sheet S-14.
6. The approach footing maximum applied service bearing pressure (Qmax) = 2.0 ksf.
7. For bar splicer details, see sheet S-34.
8. Cost of excavation for approach footing included with Concrete Structures.
9. For Porous Granular Embankment (Special) and drainage treatment details, see sheet S-2.



See table for elevations

SECTION D-D

(See Plan for dimensions not shown)
Horizontal dimensions at Rt. L's to tangent unless noted otherwise.



**W.B. APPROACH
BILL OF MATERIAL**

Bar	No.	Size	Length	Shape
a6(E)	100	# 4	25'-1"	U
a7(E)	184	# 5	25'-1"	U
b3(E)	74	# 4	29'-8"	U
b4(E)	204	# 9	29'-9"	U
b5(E)	4	# 4	28'-10"	U
t(E)	176	# 4	10'-8"	U
w(E)	160	# 5	25'-1"	U
Concrete Superstructure			Cu. Yd.	119.2
Concrete Structures			Cu. Yd.	28.9
Reinforcement Bars, Epoxy Coated			Pound	34,110

**E.B. APPROACH
BILL OF MATERIAL**

Bar	No.	Size	Length	Shape
a6(E)	100	# 4	25'-1"	U
a7(E)	184	# 5	25'-1"	U
b3(E)	74	# 4	29'-8"	U
b4(E)	204	# 9	29'-9"	U
b5(E)	4	# 4	28'-10"	U
t(E)	176	# 4	10'-8"	U
w(E)	160	# 5	25'-1"	U
Concrete Superstructure			Cu. Yd.	119.9
Concrete Structures			Cu. Yd.	29.1
Reinforcement Bars, Epoxy Coated			Pound	34,110

N:\PROJ\0003377\00\0003377\07\Design\Structure\CAD\018-0047 & 018-0048-74466_16 Approach Details_2.dgn



USER NAME = bsauter	DESIGNED - BWS	REVISED -
	CHECKED - MHT	REVISED -
PLOT SCALE = 16:0.0003 ' / in.	DRAWN - RD	REVISED -
PLOT DATE = 8/14/2012	CHECKED - MHT	REVISED -

STATE OF ILLINOIS
DEPARTMENT OF TRANSPORTATION

APPROACH SLAB DETAILS - 2
SN 018-0047 (W.B.) & 018-0048 (E.B.)

SHEET NO. S-16 OF S-34 SHEETS

F.A.I. RT.E.	SECTION	COUNTY	TOTAL SHEETS	SHEET NO.
70	(18-47B, 18-47HB)BR	CUMBERLAND	147	74
CONTRACT NO. 74466				
ILLINOIS FED. AID PROJECT				