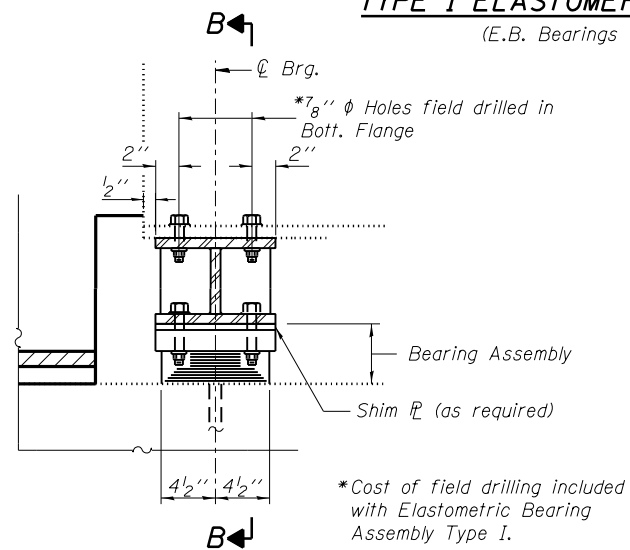


ELEVATION AT EAST ABUTMENT

TYPE I ELASTOMERIC EXP. BRG.

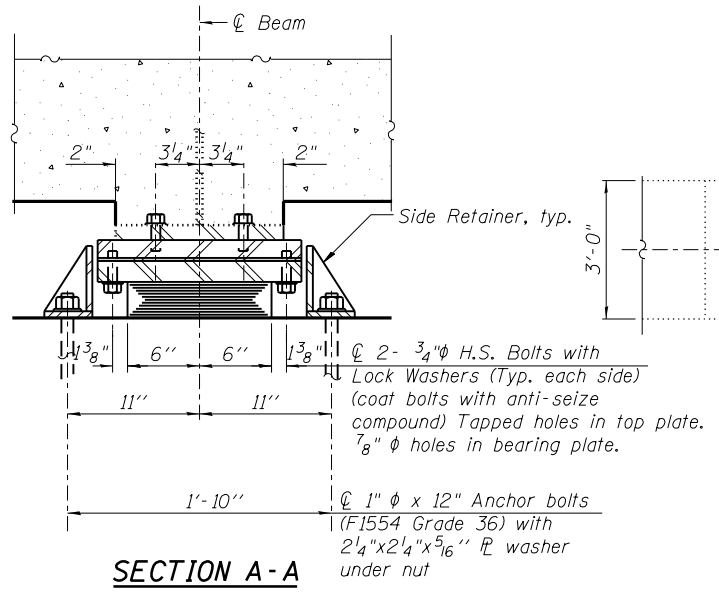
(E.B. Bearings 7 Thus)



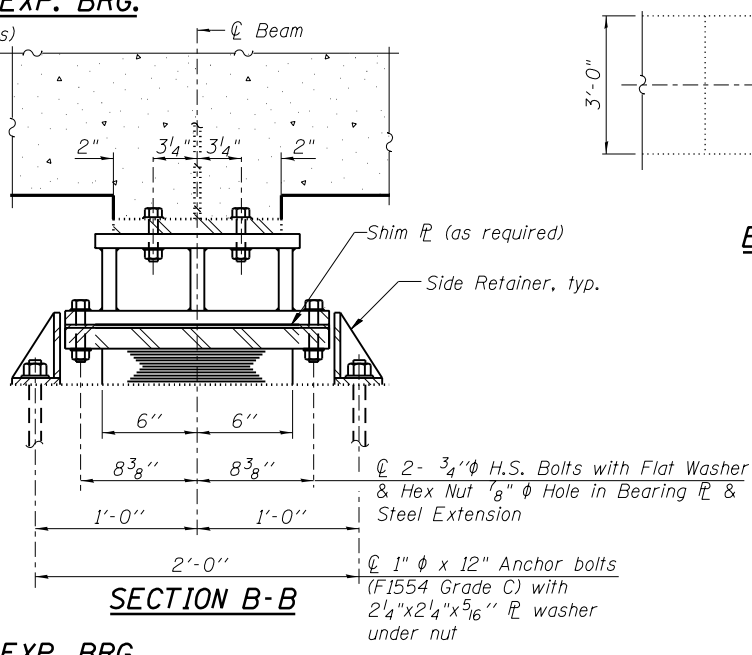
ELEVATION AT EAST ABUTMENT

TYPE I ELASTOMERIC EXP. BRG.

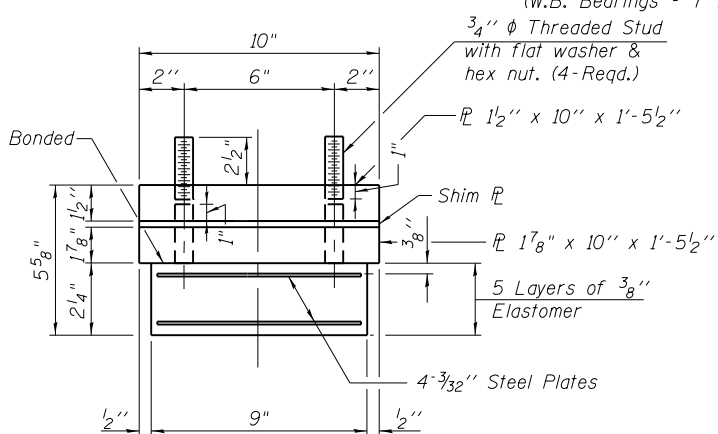
(W.B. Bearings - 7 Thus)



SECTION A-A



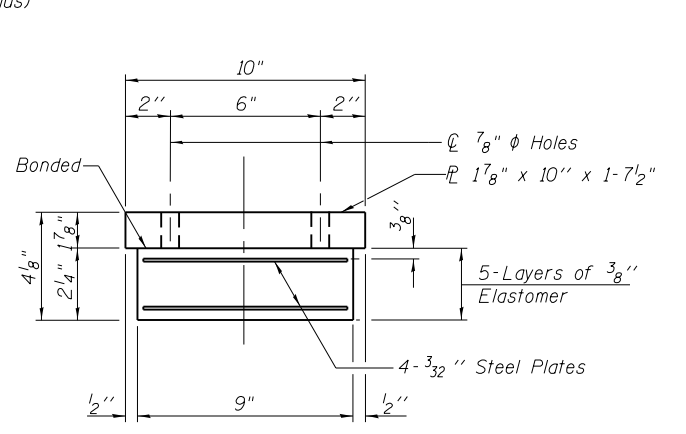
SECTION B-B



BEARING ASSEMBLY

(E.B. Bearings)

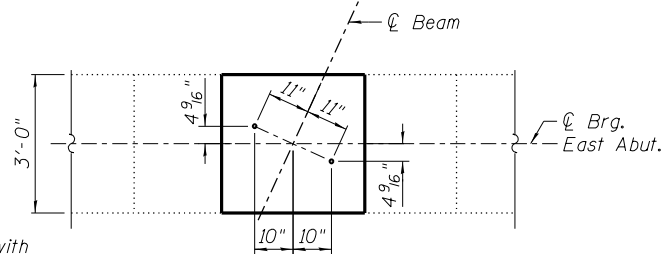
Note:
Shim plates shall not be placed under Bearing Assembly.



BEARING ASSEMBLY

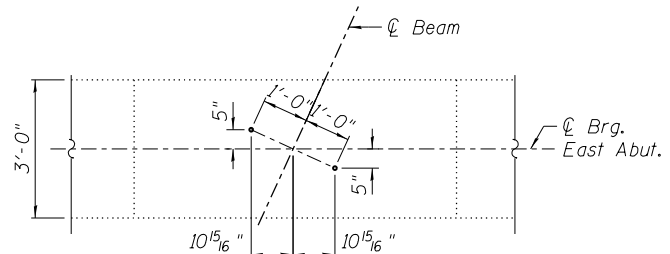
(W.B. Bearings)

Note:
Shim plates shall not be placed under Bearing Assembly.



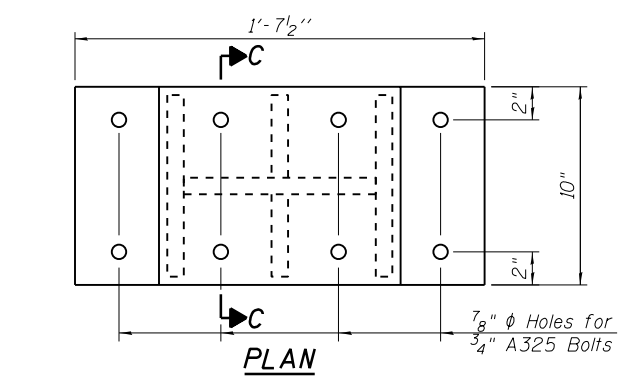
BEARING ANCHOR BOLT LAYOUT

(E.B. Bearings)

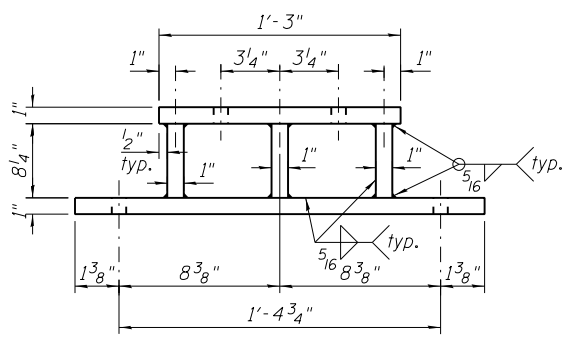


BEARING ANCHOR BOLT LAYOUT

(W.B. Bearings)



PLAN

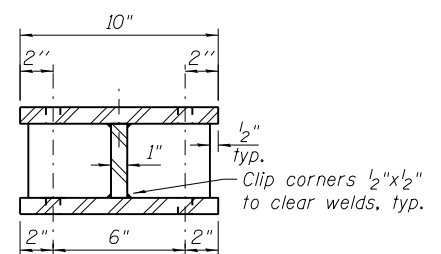


ELEVATION

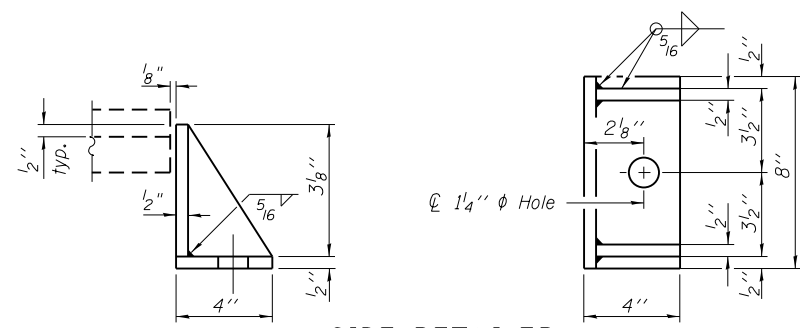
STEEL EXTENSIONS

(7 Thus)

Weight included with Structural Steel



SECTION C-C



SIDE RETAINER

Equivalent rolled angle with stiffeners will be allowed in lieu of welded plates.

BILL OF MATERIAL

Item	Unit	Total
Elastomeric Bearing Assembly Type I	Each	14
Anchor Bolts, 1"	Each	28
Furnishing and Erecting Structural Steel	Pound	1,310

N:\PROJECTS\0003377\00\0003377\07\Design\Structural\CAD\018-0047 & 018-0048-74466 23 Bearing Details 4.dgn



USER NAME = RDonley	DESIGNED - BWS	REVISED -
PLOT SCALE = 0:2.0000 1" = 10'	CHECKED - MHT	REVISED -
PLOT DATE = 8/14/2012	DRAWN - RD	REVISED -
	CHECKED - MHT	REVISED -

STATE OF ILLINOIS DEPARTMENT OF TRANSPORTATION

EAST ABUTMENT BEARING DETAILS
SN 018-0047 (W.B.) & 018-0048 (E.B.)

SHEET NO. 5-23 OF 5-34 SHEETS

F.A.I. RTE.	SECTION	COUNTY	TOTAL SHEETS	SHEET NO.
70	(18-47B, 18-47HB)BR	CUMBERLAND	147	81
CONTRACT NO. 74466				
ILLINOIS FED. AID PROJECT				