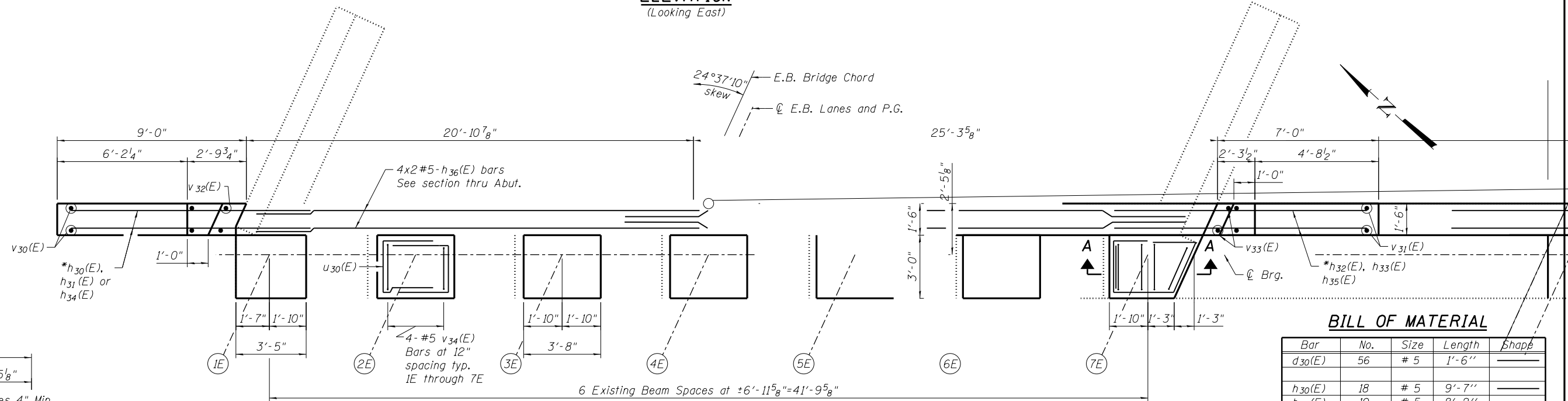


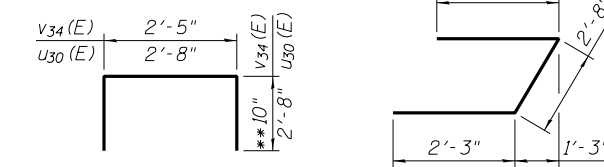
ELEVATION
(Looking East)



PLAN

MINIMUM BAR LAP

#5 Bar = 3'-3"



Bar v34(E) and u30(E)

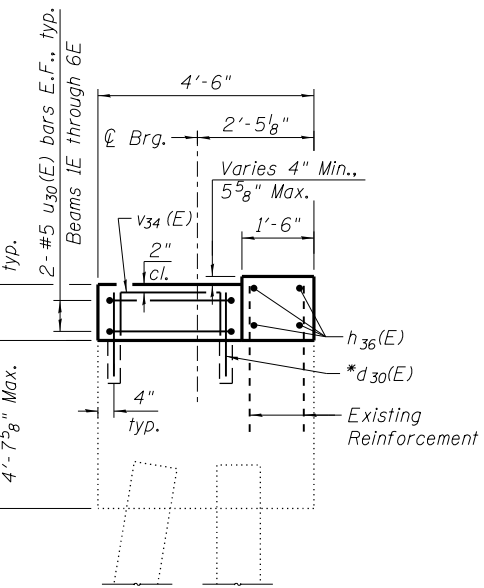
BAR u31(E)

NOTES:

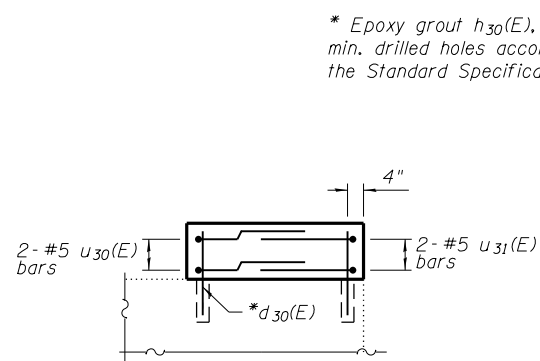
1. Space drilled holes in cap to miss existing reinforcement.
2. Bars indicated 1x2-#5 etc. indicates 1 line of bars with 2 lengths per line.
3. See sheet S-2 for abutment drainage details.
4. E.F. denotes Each Face.
5. Prior to ordering any material the Contractor shall verify in the field all bearing height and shim thickness dimensions.
6. For anchor bolt layout see sheet S-2.3.

BILL OF MATERIAL

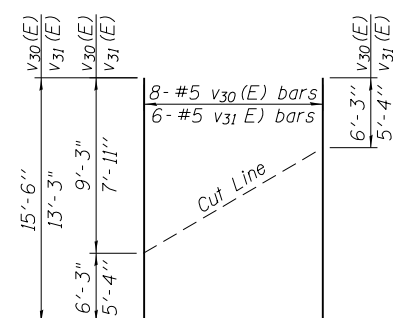
Bar	No.	Size	Length	Shape
d30(E)	56	# 5	1'-6"	—
h30(E)	18	# 5	9'-7"	—
h31(E)	10	# 5	8'-2"	—
h32(E)	12	# 5	8'-3"	—
h33(E)	8	# 5	6'-8"	—
h34(E)	4	# 5	12'-1"	—
h35(E)	4	# 5	10'-9"	—
h36(E)	8	# 5	24'-7"	—
u30(E)	26	# 5	8'-0"	U
u31(E)	2	# 5	8'-5"	U
v30(E)	16	# 5	15'-6"	—
v31(E)	12	# 5	13'-3"	—
v32(E)	2	# 5	5'-9"	—
v33(E)	2	# 5	4'-7"	—
v34(E)	28	# 5	4'-1"	U
Structure Excavation			Cu. Yd.	97
Concrete Structures			Cu. Yd.	13.6
Reinforcement Bars, Epoxy Coated			Pound	1,620
Geocomposite Wall Drain			Sq. Yd.	59
Porous Granular Embankment, Special			Cu. Yd.	103
Pipe Underdrains for Structures, 4"			Foot	67



SECTION THRU ABUTMENT



SECTION A-A



FIELD CUTTING DIAGRAM

Order v30(E) and v31(E) bars full length. Cut to fit as shown and use remainder bars in other face.

N:\PROJECTS\0003377\000\0003377\07\Design\Structure\CAD\018-0047 & 018-0048-74466_28 EB East Abutment.dgn
 0003377 000 0003377 07 Design Structure CAD 018-0047 & 018-0048-74466_28 EB East Abutment.dgn



USER NAME = RDonley
 DESIGNED - BWS
 CHECKED - MHT
 DRAWN - RD
 PLOT SCALE = 8x10 1/4" = 1"
 PLOT DATE = 8/14/2012

DESIGNED - BWS
 CHECKED - MHT
 DRAWN - RD
 CHECKED - MHT

REVISED -
 REVISED -
 REVISED -
 REVISED -

STATE OF ILLINOIS
DEPARTMENT OF TRANSPORTATION

E.B. EAST ABUTMENT DETAILS
SN 018-0047 (W.B.) & 018-0048 (E.B.)

SHEET NO. S-28 OF S-34 SHEETS

F.A.I. RTE.	SECTION	COUNTY	TOTAL SHEETS	SHEET NO.
70	(18-47B, 18-47HB)BR	CUMBERLAND	147	86
CONTRACT NO. 74466				
ILLINOIS FED. AID PROJECT				